

PRODUCT INFORMATION PACKET



Model No: RF4401

Catalog No: RF4401

Refrigeration Motor, 1/10 HP, 1 Ph, 60 Hz, 115/208-230 V, 1550/1300 RPM, 1 Speed, 42 Frame, OAO



Regal and Century are trademarks of Regal Rexnord Corporation or one of its affiliated companies.

©2023 Regal Rexnord Corporation, All Rights Reserved. MC017097E





Nameplate Specifications

| | | | |
|--------------------|---------------|---------------------|---------------|
| Phase | 1 | Output HP | 1/10 Hp |
| Output KW | 0.07 kW | Voltage | 115/208-230 V |
| Speed | 1550/1300 rpm | Service Factor | 1.0 |
| Frame | 42Y | Enclosure | Open Air Over |
| Thermal Protection | Automatic | Ambient Temperature | 40 °C |
| Frequency | 60 Hz | Current | 4.0/2.0 A |
| Duty | Air Over | Insulation Class | A |
| UL | Recognized | CSA | Y |
| CE | N | Number of Speeds | 1 |

Technical Specifications

| | | | |
|--------------------|----------------|-----------------------|---------------------------|
| Electrical Type | Shaded Pole | Starting Method | Across The Line |
| Poles | 4 | Rotation | Counterclockwise Lead End |
| Mounting | Extended Studs | Motor Orientation | Any |
| Drive End Bearing | Sleeve | Opp Drive End Bearing | Sleeve |
| Frame Material | Na | Shaft Type | Flat |
| Overall Length | 7.17 in | Shaft Diameter | 0.375 in |
| Shaft Extension | 2.25 in | | |
| Connection Drawing | 7571A67F01 | Outline Drawing | RF4401-S01 |

This is an uncontrolled document once printed or downloaded and is subject to change without notice. Date Created:07/17/2023

GENERAL INFORMATION:

SHAFT RUNOUT: .001[.03] T.I.R. PER INCH LENGTH OF EXTENSION

END PLAY: .010 TO .063 [.25 TO 1.60]

BEARINGS: SLEEVE

MOUNTING POSITION: ALL ANGLE

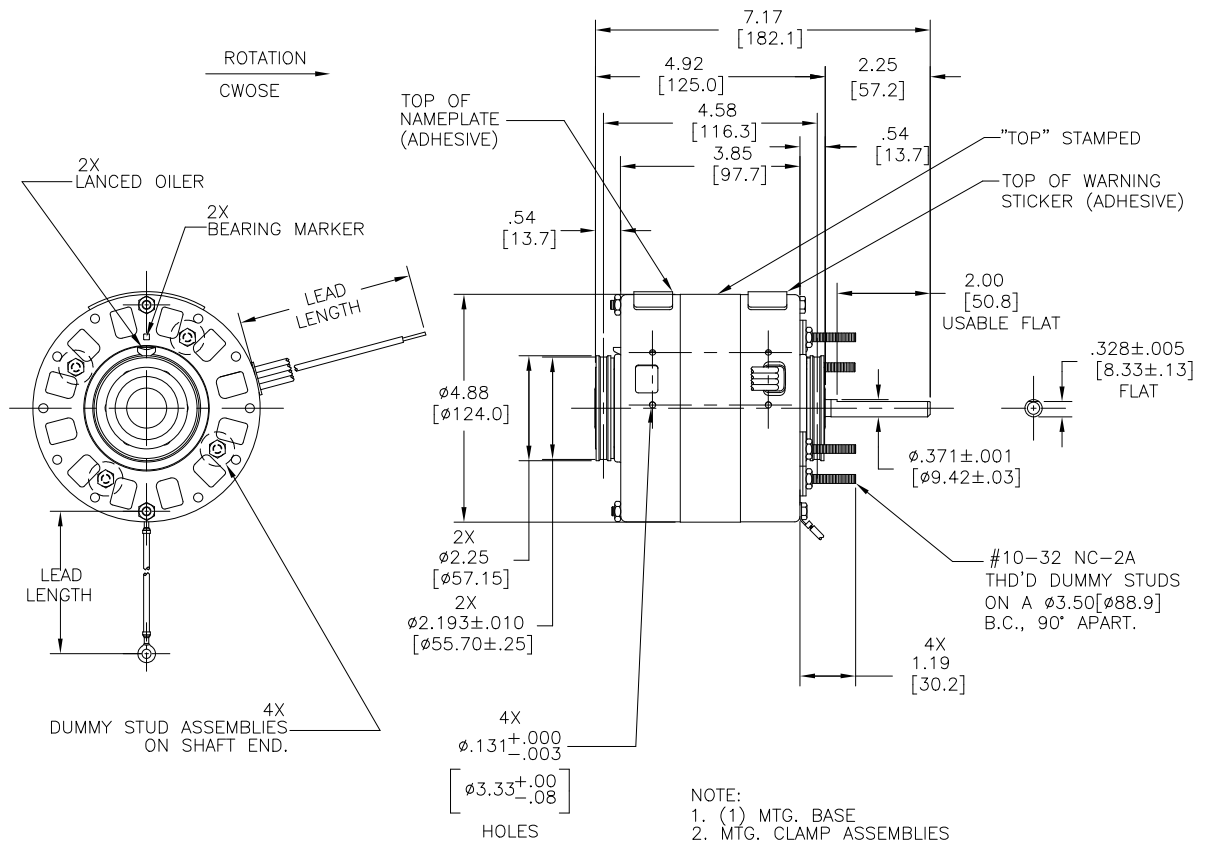
ELECTRICAL DATA:

OVERLOAD PROTECTOR: AUTOMATIC RESET (SENSATA 7AM 034)

LINE LEADS: NO. 18 AWG., .06[1.5] THK.,125°C INSUL.

GROUND LEAD: NO. 18 AWG., .03[.8] THK.,GREEN INSUL.

NOTE:
DISTRIBUTION: CUST. P/N: RF4401



NOTE:
1. (1) MTG. BASE
2. MTG. CLAMP ASSEMBLIES
3. (1) SHAFT ADAPTER
4. (4) MTG. RING ADAPTERS
5. (4) HEX NUTS
TO BE SHIPPED SEPARATELY IN EACH CARTON WITH MOTOR.

| NAMEPLATE DATA: | EXTERNAL CONNECTION DIAGRAM |
|---------------------------------------------------------------------------------------------------------------------------------------------------------------------------------------------------------------------------------------------------------------------------------------------------|-----------------------------|
| MODEL : 326P185 CUST. P/N: [-----] HP: 1/10 ROT.: CCWLE RPM: 1550/1300 TYPE: FE FRAME: 42Y VOLTS: 115/208-230 PH: 1 AMPS: 4.0/2.0 HZ: 60/50 INS.: A AMB: 40°C DUTY: AIR OVER CODE: - CAP.: - UL LOGO CSA LOGO THERMALLY PROTECTED TYPE C | |

| PERFORMANCE CURVE NO. | TORQUE @ 1550 RPM | APPROVED SAMPLE | UL COMPONENT FILE # | CCN # | CSA FILE # | CLASS # |
|-----------------------|-------------------|-----------------|---------------------|-------|------------|---------|
| C30347 | 10.2 OZ-FT. | 89AC114C | E27885 | XEWR2 | LR43341 | 4211-01 |

| COLOR | LENGTH | TERMINAL OR STRIP LENGTH |
|------------|---------------------|--------------------------|
| GREEN(GRD) | 11.5/12.5 [292/318] | # 8 EYELET |
| RED | 29.0/31.0 [737/787] | .50 [12.7] SKIN |
| BLUE | 29.0/31.0 [737/787] | .50 [12.7] SKIN |
| BLACK | 29.0/31.0 [737/787] | .50 [12.7] SKIN |
| YELLOW | 29.0/31.0 [737/787] | .50 [12.7] SKIN |

| LEAD DATA | ENCLOSURE | CUSTOMER | DISTRIBUTION SERVICES |
|------------------------------------------------------------------|--------------------------------------|----------|-----------------------|
| MAIN FR. - OLE END FR. - OLE MAIN FR. - LE END FR. - LE | ENCLOSED OPEN ENCLOSED OPEN | | |

| | | |
|--------------------------------------------------------------------------------------------------------------------------------------------------------------------------------------------------------------------------------------------------------------------------------------------------------------------------------------------------------------------------------------------------------------------------------------------------------------------------------------------------------------------------------------------------------------------------------------------------------------------------------------------------------------------------------------------------------------|-------------|------------|
| DRAWING REVISION | REVISION BY | DATE |
| ECC | J. RUPERT | 05-24-2023 |
| ECR-0225946 | J. RUPERT | 05-24-2023 |
| ECC DESCRIPTION | | |
| CHANGED UL FILE NUMBER TO LOGO | | |
| <small> COPYRIGHT REGAL BELTO AMERICA, INC. ALL RIGHTS RESERVED. PROPRIETARY AND CONFIDENTIAL INFORMATION - THIS DOCUMENT IS THE PROPERTY OF REGAL BELTO AMERICA, INC. "COPY" AND CONTAINS OWNER'S PROPRIETARY INFORMATION. ANY PERSON, CORPORATION OR OTHER FIRM RECEIVING IT IS DEEMED BY RECEIVING IT, TO AGREE THAT IT, AND/OR ANY PART OF IT, SHALL NOT BE DISCLOSED TO ANY PERSON, CORPORATION OR OTHER ENTITY, DUPLICATED, AND/OR USED, EXCEPT AS EXPRESSLY APPROVED BY WRITING IN ADVANCE BY OWNER. THIS DOCUMENT SHALL BE RETURNED TO OWNER UPON REQUEST. IT MAY BE SUBJECT TO CERTAIN RESTRICTIONS UNDER APPLICABLE EXPORT CONTROL LAWS AND REGULATIONS. </small> | | |

| | |
|------------------------|------------|
| DRAWN BY: | W. CORTEZ |
| DATE: | 05-23-2013 |
| APPROVED BY: | J. DE LUNA |
| DATE: | 05-23-2013 |
| REFERENCE: | |
| THIRD ANGLE PROJECTION | |

| | |
|----------------------------|-------------------------|
| Regal Beloit America, Inc. | |
| DESCRIPTION | MODEL-RFHP-42FR OUTLINE |
| MATERIAL | PROCESS/FINISH |
| SIZE | DWG NO. RF4401 |
| SHEET | 1 |