

# PRODUCT INFORMATION PACKET



Model No: RB2034L  
Catalog No: RB2034L  
Fan and Blower Motor, 1/3 HP, 1 Ph, 60 Hz, 115 V, 1800 RPM, 48 Frame, OPEN



Regal and Century are trademarks of Regal Rexnord Corporation or one of its affiliated companies.  
©2023 Regal Rexnord Corporation, All Rights Reserved. MC017097E





**Nameplate Specifications**

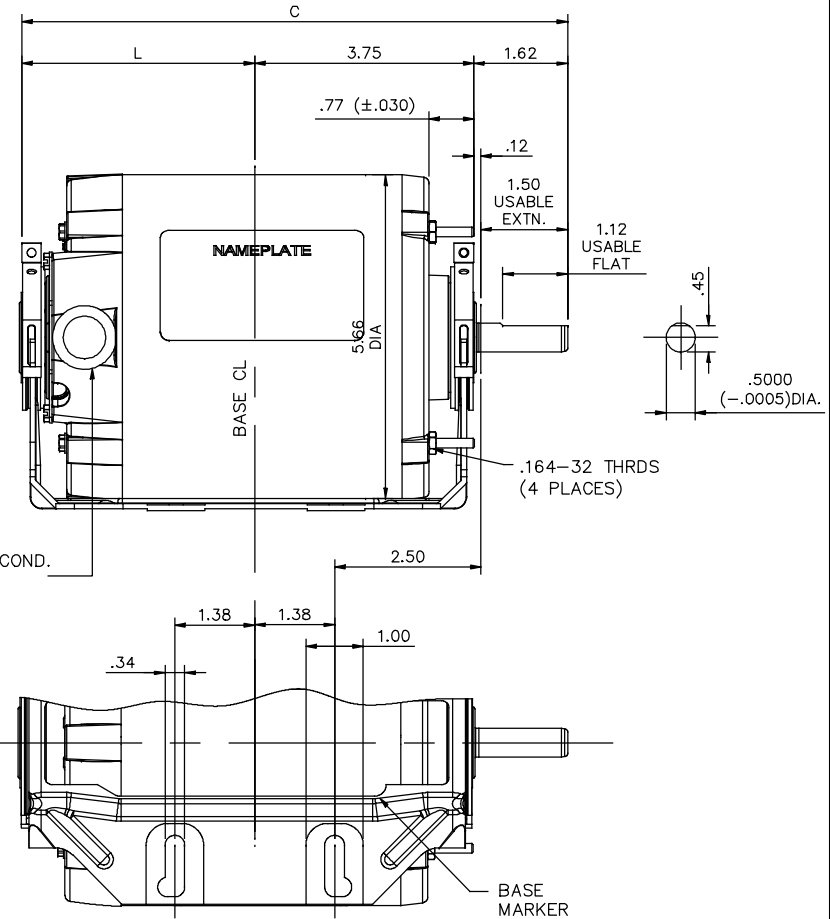
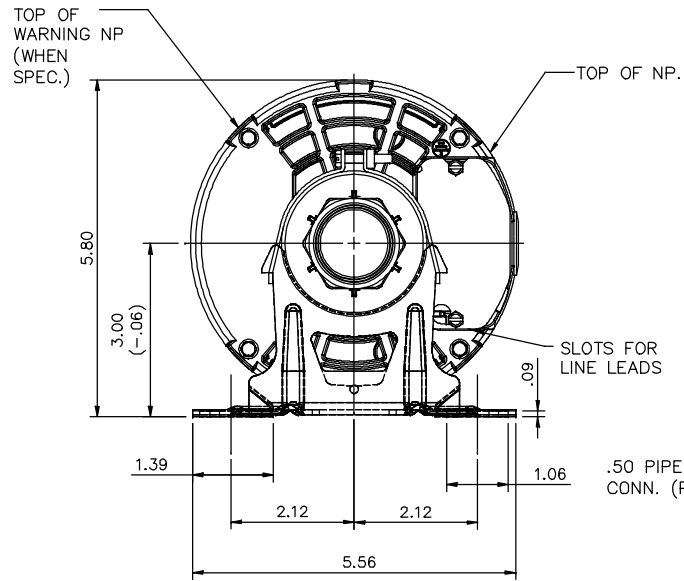
Phase	1	Output HP	1/3 Hp
Output KW	0.25 kW	Voltage	115 V
Speed	1725 rpm	Service Factor	1.35
Frame	48	Enclosure	Open Enclosed
Thermal Protection	No Protection	Ambient Temperature	40 °C
Frequency	60 Hz	Current	5.9 A
Duty	Continuous	Insulation Class	B
UL	No	CSA	Y
CE	N	Number of Speeds	1

**Technical Specifications**

Electrical Type	Split Phase	Starting Method	Across The Line
Poles	4	Rotation	Reversible
Mounting	Resilient Base	Drive End Bearing	Ball
Opp Drive End Bearing	Ball	Frame Material	Rolled Steel
Shaft Type	Flat	Overall Length	8.90 in
Frame Length	4.81 in	Shaft Diameter	0.500 in
Shaft Extension	1.50 in		
Connection Drawing	626987-004	Outline Drawing	2992B60F01

This is an uncontrolled document once printed or downloaded and is subject to change without notice. Date Created:09/27/2023

2992B60F01



D48	9.90	4.53	3.47
B48	9.40	4.03	2.97
A48	9.15	3.78	2.72
48	8.90	3.53	2.47
FR NO.	C	L	AD

.50 PIPE TAP FOR COND. CONN. (PLUGGED)

				TOLERANCES UNLESS SPECIFIED		DRAWN SB 03/29/85	
				DEC.	INCHES	CHK	
				.X	±.1	APPD RM 04/22/85	
				.XX	±.01	SCALE 1=2	
04	REDRAWN IN CAD	KB 01/16/20	PK	.XXX	±.005	REF 2856A55	
03	ADDED GROUND LEAD 0044044	KG 03/20/01		.XXXX	±.0005	FMF	
NO.	REVISION	BY & DATE	CHK	ANG	±1/2'	PREV	
THIS DRAWING IN DESIGN AND DETAIL IS OUR PROPERTY AND MUST NOT BE USED EXCEPT IN CONNECTION WITH OUR WORK ALL RIGHTS OF DESIGN AND INVENTION ARE RESERVED THIS IS AN ELECTRONICALLY GENERATED DOCUMENT - DO NOT SCALE THIS PRINT				RFP	CAD FILE	2992B60F01	SIZE A
				DIST	DRAWING NO. 2992B60F01		REV. 03



TITLE 48 FR TYPE FHT OUTLINE

MAT'L. SEE ABOVE

FINISH