

# PRODUCT INFORMATION PACKET



Model No: RB1204AV1  
Catalog No: RB1204AV1

Fan and Blower Motor, 2.0 HP, 1 Ph, 60 Hz, 115/208-230 V, 1800 RPM, 56H Frame, OPEN



Regal and Century are trademarks of Regal Rexnord Corporation or one of its affiliated companies.  
©2023 Regal Rexnord Corporation, All Rights Reserved. MC017097E





**Nameplate Specifications**

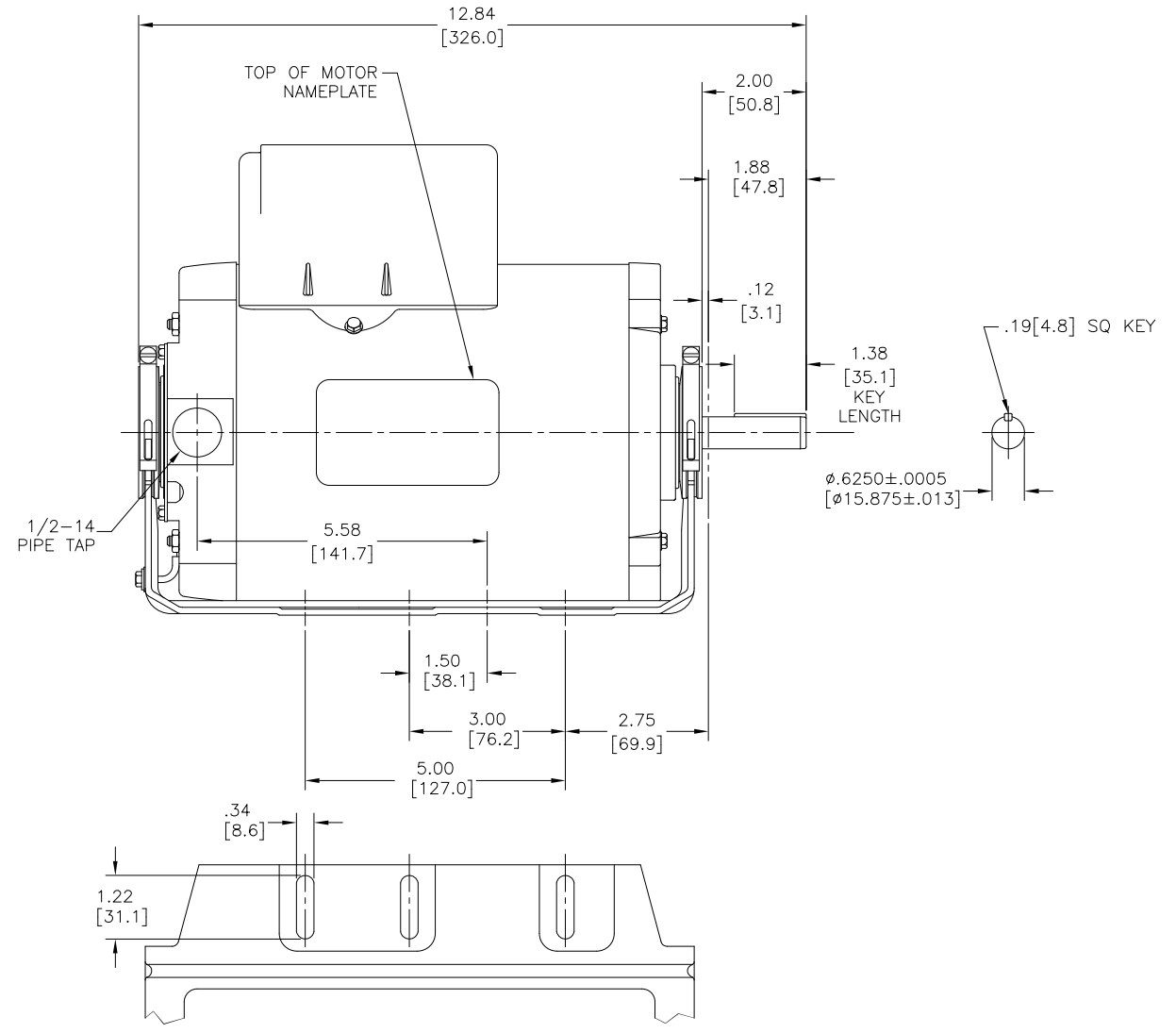
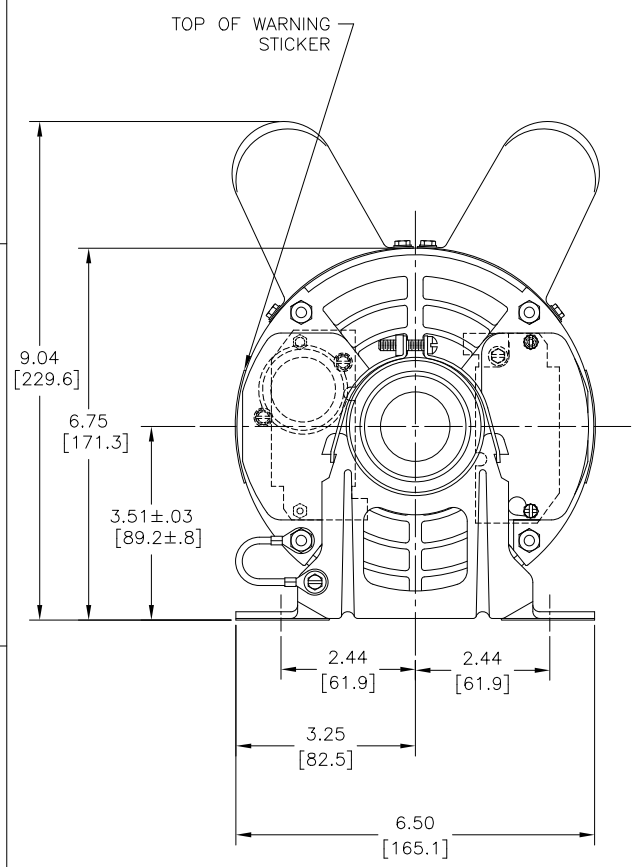
Phase	1	Output HP	2.0 Hp
Output KW	1.5 kW	Voltage	115/208-230 V
Speed	1725 rpm	Service Factor	1.15
Frame	56H	Enclosure	Open Enclosed
Thermal Protection	Automatic	Ambient Temperature	40 °C
Frequency	60 Hz	Current	19.6/9.8 A
Duty	Continuous	Insulation Class	B
UL	No	CSA	Y
CE	N	Number of Speeds	1

**Technical Specifications**

Electrical Type	Capacitor Start Capacitor Run	Starting Method	Across The Line
Poles	4	Rotation	Reversible
Mounting	Resilient Base	Drive End Bearing	Ball
Opp Drive End Bearing	Ball	Frame Material	Rolled Steel
Shaft Type	Keyed	Overall Length	12.84 in
Frame Length	7.69 in	Shaft Diameter	0.625 in
Shaft Extension	2 in		
Connection Drawing	620005-056C	Outline Drawing	RB1204AV1-S01

This is an uncontrolled document once printed or downloaded and is subject to change without notice. Date Created:07/17/2023

REV	ECO	REV BY	DATE	APPD	DATE
C	ECR-0223772	M.PRAVEEN	23-02-2023	PVR	23-02-2023



<p>GEOMETRIC CHARACTERISTICS &amp; SYMBOLS</p> <ul style="list-style-type: none"> <li>▭ FLATNESS</li> <li>- STRAIGHTNESS</li> <li>∠ ANGULARITY</li> <li>⊥ PERPENDICULARITY (SQUARENESS)</li> <li>// PARALLELISM</li> <li>○ ROUNDNESS (CIRCULARITY)</li> <li>⊘ CYLINDRICITY</li> <li>⌒ PROFILE OF ANY SURFACE</li> <li>⌒ PROFILE OF ANY LINE</li> <li>⌒ RUNOUT</li> <li>⊕ TRUE POSITION</li> <li>⊙ CONCENTRICITY</li> <li>≡ SYMMETRY</li> </ul> <p>ASME Y14.5M 1994</p>	<p>UNLESS OTHERWISE SPECIFIED DIM. TOLERANCES ARE AS FOLLOWS:</p> <p style="text-align: center;">x    xx    xxx    xxxx</p> <p>INCH    ±.1    ±.02    ±.005    ±.0005</p> <p>mm    ±0.5    ±0.13    ±0.013</p> <p>ANG. ±.50 DEG</p> <p>REMOVE BURRS &amp; BREAK SHARP EDGES:</p> <p>INCH .003-.015    mm 0.1-0.4</p> <p>CORNER FILLETS TO:</p> <p>INCH .020    mm 0.5</p> <p>MACHINE SURFACES:</p> <p>INCH 125    mm 3.2</p> <p>METRIC DIMS. SHOWN IN [BRACKETS]</p>	DR BY:	WTO	04-15-20		
		APPD:	PVR	23-02-2023		DESCRIPTION
		THIRD ANGLE PROJECTION		EDS DATE	23-02-2023	FORMAT
<p>CONFIDENTIAL: THIS DRAWING AND ITS INFORMATION ARE THE EXCLUSIVE AND CONFIDENTIAL PROPERTY OF REGAL-BELOIT CORPORATION AND ARE NOT TO BE DISCLOSED, DUPLICATED, DISTRIBUTED OR OTHERWISE USED WITHOUT THE WRITTEN CONSENT OF REGAL-BELOIT CORPORATION. -ALL RIGHTS RESERVED.</p>						
SIZE	C	DWG NO	RB1204AV1		SHEET 1	
SCALE	NONE					

**CENTURY ELECTRIC CORPORATION**

TYPICAL PERFORMANCE CURVE for AC MOTOR

Customer REGAL

Curve at

230

Volts

HP 2.00

PHASE 1

60

HZ

2

HP

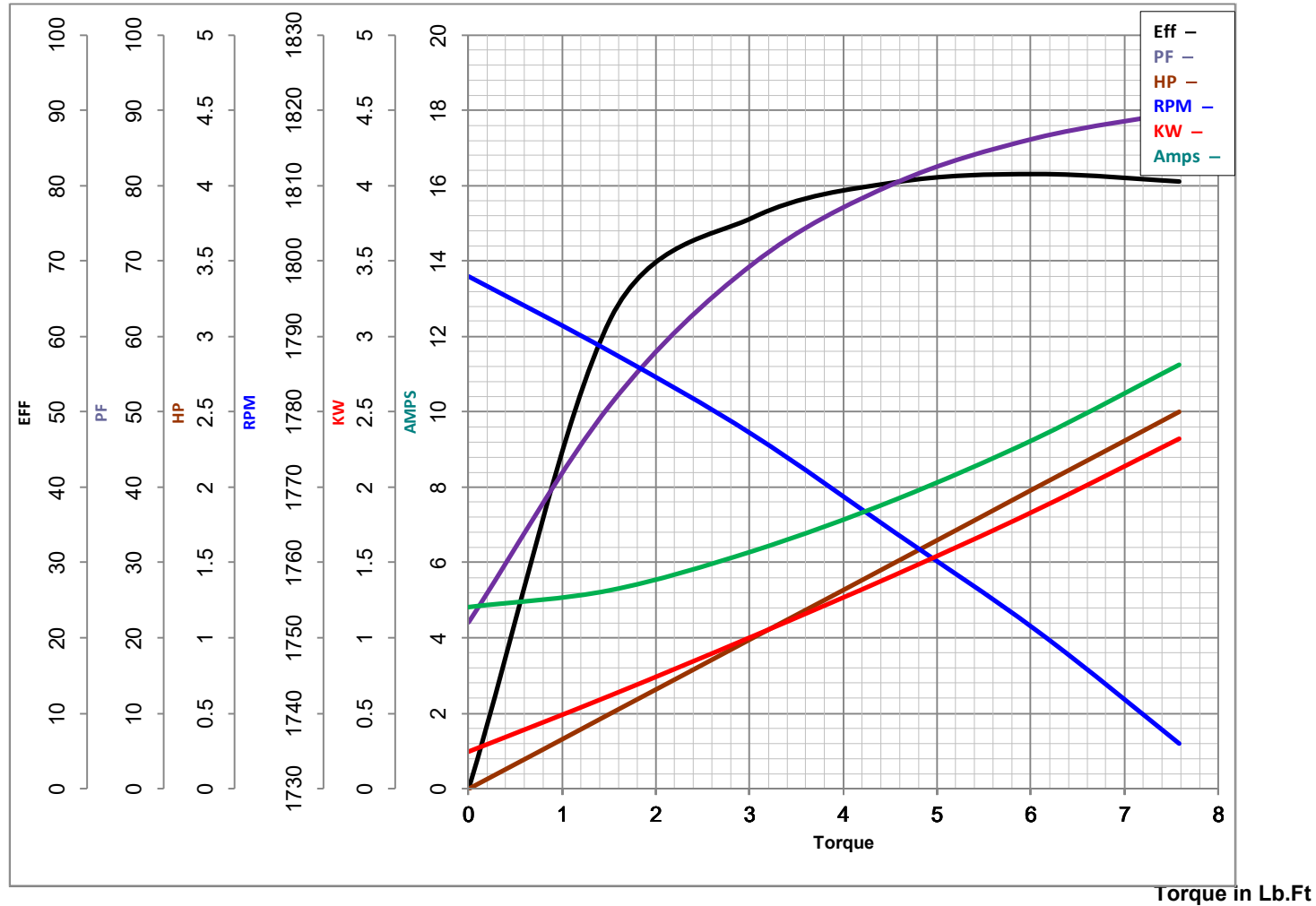
VOLTS 115/208-230

Model No RB1204AV1

HZ 60

RPM 1725

Catalog No RB1204AV1



FL TORQUE 6.063 Lb.Ft

BD TORQUE 16.3 Lb.Ft

LR TORQUE 13.66 Lb.Ft

WINDING -SS0005691

FL AMPS 19.6/9.8

PU TORQUE 11.5 Lb.Ft

LR AMPS 64.6

Date 5/13/2020