



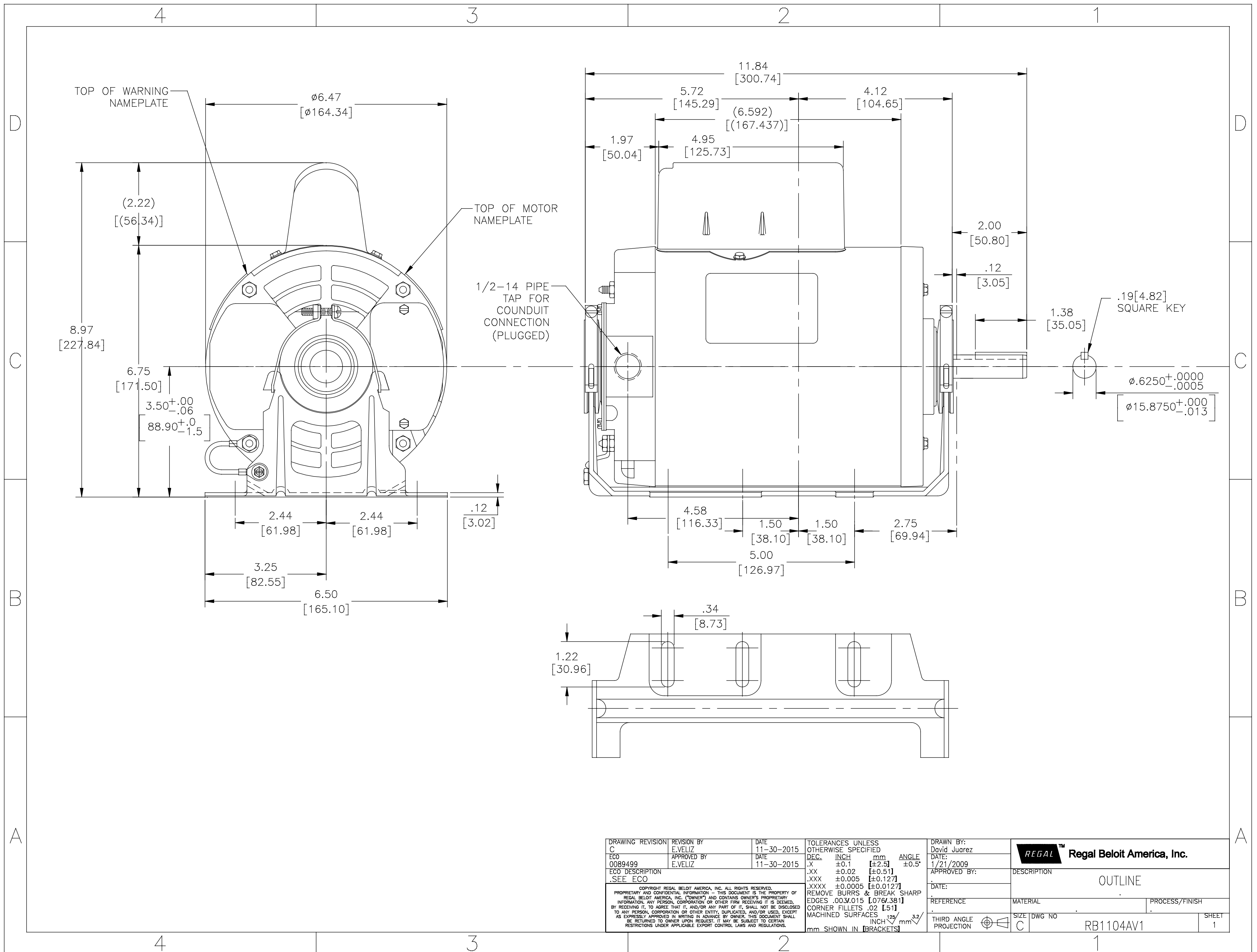
Nameplate Specifications

Output HP	1.0 Hp	Output KW	0.75 kW
Frequency	60/50 Hz	Voltage	115/208-230 V
Current	14.4/6.6-7.2 A	Speed	1725/1425 rpm
Service Factor	1.25	Phase	1
Duty	Continuous	Insulation Class	B
Frame	56	Enclosure	Open Enclosed
Thermal Protection	Automatic	Ambient Temperature	40 °C
UL	No	CSA	Y
CE	N	Number of Speeds	1

Technical Specifications

Electrical Type	Capacitor Start Induction Run	Starting Method	Across The Line
Poles	4	Rotation	Reversible
Mounting	Resilient Base	Drive End Bearing	Ball
Opp Drive End Bearing	Ball	Frame Material	Rolled Steel
Shaft Type	Keyed	Overall Length	11.84 in
Frame Length	6.69 in	Shaft Diameter	0.625 in
Shaft Extension	2 in		
Outline Drawing	RB1104AV1-S01	Connection Drawing	620005-002C

This is an uncontrolled document once printed or downloaded and is subject to change without notice. Date Created:11/28/2022



DRAWING REVISION C	REVISION BY E.VELIZ	DATE 11-30-2015	TOLERANCES UNLESS OTHERWISE SPECIFIED DEC. INCH mm ANGLE .XX ±0.1 [±2.5] ±0.5° .XX ±0.02 [±0.51] .XXX ±0.005 [±0.127] .XXXX ±0.0005 [±0.0127]	DRAWN BY: David Juarez	REGAL™ Regal Beloit America, Inc.
ECO 0089499	APPROVED BY E.VELIZ	DATE 11-30-2015	REMOVE BURRS & BREAK SHARP EDGES .003/.015 [0.076/.381] CORNER FILLETS .02 [0.51] MACHINED SURFACES 125/INCH 3.2/mm	DATE: 1/21/2009	
ECO DESCRIPTION .SEE ECO	COPYRIGHT REGAL BELOIT AMERICA, INC. ALL RIGHTS RESERVED. PROPRIETARY AND CONFIDENTIAL INFORMATION - THIS DOCUMENT IS THE PROPERTY OF REGAL BELOIT AMERICA, INC. (OWNERS) AND CONTAINS OWNERS PROPRIETARY INFORMATION. ANY PERSON, CORPORATION OR OTHER FIRM RECEIVING IT IS DEEMED, BY RECEIVING IT, TO AGREE THAT IT, AND/OR ANY PART OF IT, SHALL NOT BE DISCLOSED TO ANY PERSON, CORPORATION OR OTHER ENTITY, DUPLICATED, AND/OR USED, EXCEPT AS EXPRESSLY APPROVED IN WRITING IN ADVANCE BY OWNER. THIS DOCUMENT SHALL BE RETURNED TO OWNER UPON REQUEST. IT MAY BE SUBJECT TO CERTAIN RESTRICTIONS UNDER APPLICABLE EXPORT CONTROL LAWS AND REGULATIONS.		EDGES .003/.015 [0.076/.381] CORNER FILLETS .02 [0.51] MACHINED SURFACES 125/INCH 3.2/mm	APPROVED BY:	DESCRIPTION OUTLINE
			THIRD ANGLE PROJECTION	REFERENCE	MATERIAL
			SIZE DWG NO C RB1104AV1	PROCESS/FINISH	SHEET 1