

PRODUCT INFORMATION PACKET



Model No: RAL1076

Catalog No: RAL1076

Fan Coil & Air Conditioner Motor, 3/4 HP, 1 Ph, 60 Hz, 115 V, 1075 RPM, 3 Speed, 48 Frame,
SEMI ENCL



Regal and Century are trademarks of Regal Rexnord Corporation or one of its affiliated companies.

©2023 Regal Rexnord Corporation, All Rights Reserved. MC017097E





Nameplate Specifications

Phase	1	Output HP	3/4 Hp
Output KW	0.56 kW	Voltage	115 V
Speed	1075 rpm	Service Factor	1
Frame	48Y	Enclosure	Semi Enclosed
Thermal Protection	Automatic	Efficiency	67 %
Ambient Temperature	40 °C	Frequency	60 Hz
Current	8.2 A	Duty	Air Over
Insulation Class	A	UL	Recognized
CSA	Y	CE	N
Number of Speeds	3		

Technical Specifications

Electrical Type	Permanent Split Capacitor	Starting Method	Across The Line
Poles	6	Rotation	Counterclockwise Lead End
Mounting	Resilient Ring/Extended Studs	Motor Orientation	Horizontal
Drive End Bearing	Ball	Opp Drive End Bearing	Ball
Frame Material	Rolled Steel	Shaft Type	Flat
Overall Length	20.00 in	Frame Length	4.75 in
Shaft Diameter	0.500 in	Shaft Extension	7.4X.5X7.3 in
Outline Drawing	11773-035	Connection Drawing	614131-106

This is an uncontrolled document once printed or downloaded and is subject to change without notice. Date Created:08/24/2023

GENERAL INFORMATION:

SHAFT RUNOUT: .001 T.I.R. PER INCH LENGTH OF EXTENSION.

END PLAY: .010 TO .063

BEARINGS: SLEEVE

MOUNTING POSITION: HORIZONTAL

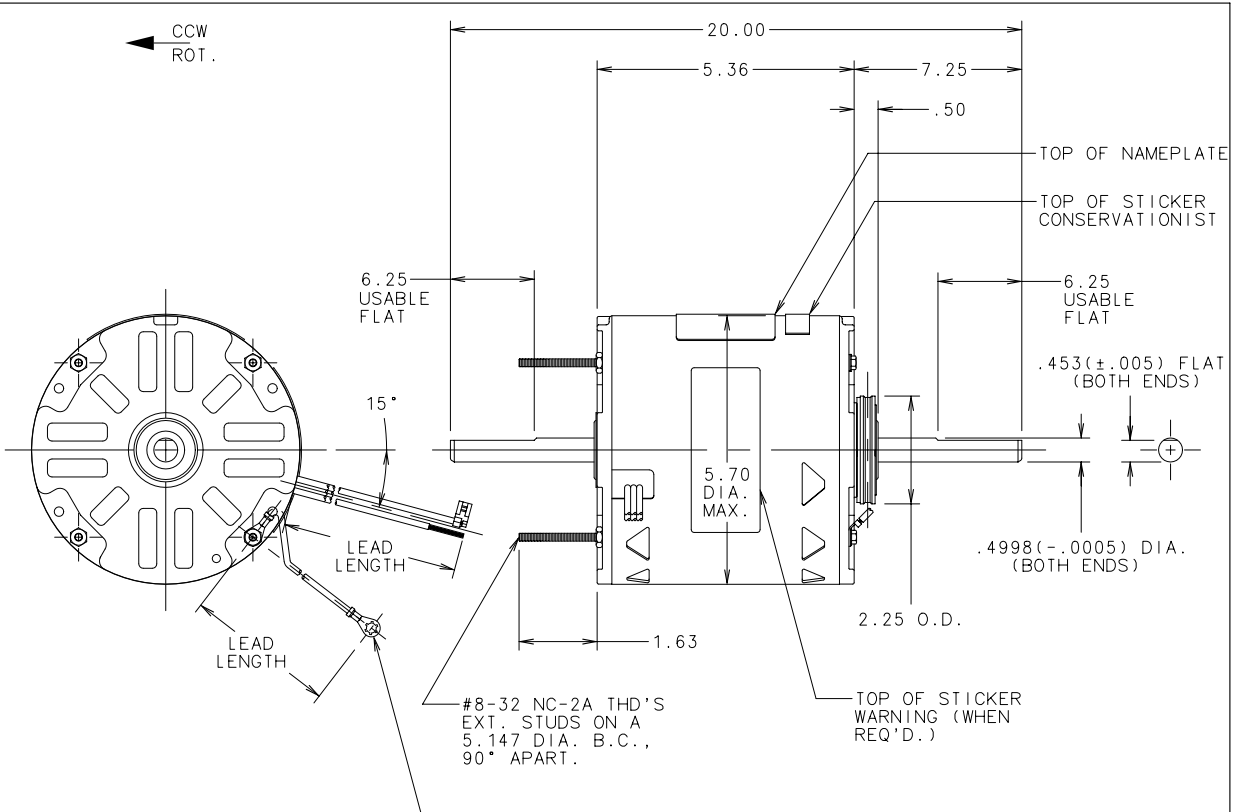
ELECTRICAL DATA:

OVERLOAD PROTECTOR: AUTOMATIC RESET (T.I. 7AM 032)

LINE LEADS: NO. 16 GA., .06 THK. 105°C PVC. INSUL.

CAPACITOR LEADS: NO. 18 GA., .06 THK. 105°C PVC. INSUL.

GROUND LEAD: NO. 18 GA., .03 THK., (GREEN) INSUL.



GROUND LEAD (TERMINAL AT MOTOR MUST NOT PROTRUDE BEYOND MOTOR O.D.).

NOTE:
- (1) RESILIENT MOUNTING KIT 615059-001 TO BE PACKED WITH EACH MOTOR.

NAMEPLATE DATA:	EXTERNAL CONNECTION DIAGRAM
MODEL: F48G06A01 CUST. P/N: RAL1076 HP: 3/4 ROT: CCWLE RPM: 1075/3 SPD TYPE: UF FRAME: 48Y VOLTS: 115 PH: 1 AMPS: 8.2 HZ: 60 INS: A AMB: 40 °C DUTY: AIR OVER CODE: - CAP.: 15 MFD/370V ENCL: SEMI-ENCL CSA LOGO UL LOGO THERMALLY PROTECTED	
	614131-106

COLOR	LENGTH	TERMINAL OR STRIP LENGTH
GREEN (GRD)	29/31	#10 EYELET
BROWN	35/37	.25 FLAG
BROWN/WHITE	35/37	.25 FLAG
WHITE	35/37	.60 SKIN
BLACK	35/37	.60 SKIN
BLUE	35/37	.60 SKIN
RED	35/37	.60 SKIN

ENCLOSURE	
MAIN FR.-OLE	OPEN-BOTTOM HALF
END FR.-OLE	OPEN
MAIN FR.-LE	OPEN-BOTTOM HALF
END FR.-LE	OPEN

CUST. DISTRIBUTION SERVICES

PERFORMANCE CURVE NO.	TORQUE @1075 RPM (25°C)	APPROVED SAMPLE	UL COMPONENT		CSA	
FILE#	GUIDE#	FILE#	GUIDE#	FILE#	GUIDE#	
C31255	61.9 OZ. FT.	95AC073A	E46412	PRGY2	LR43341	260-0-0

DATE	CHANGED FROM	APPROVED ENG DRG	NOTICE	DATE	CHANGED FROM	APPROVED ENG DRG	NOTICE
H				A	09/18/97	REMOVED PLUGGED OILERS REDRAWN TO NEW FORMAT	JRS JAR 97AR0485
J				B	05/18/98	INCREASED LEAD LENGTHS	JRS EJR 98AR0021
K				C			
L				D			
M				E			
N				F			
P				G			

A.O. SMITH PROVIDES TECHNICAL ASSISTANCE TO OUR CUSTOMERS IN SEVERAL AREAS. SINCE A.O. SMITH DOES NOT RECEIVE ALL DATA CONCERNING THE USE AND APPLICATION OF THE MOTOR, THE SUITABILITY OF THE MOTOR FOR THE APPLICATION MUST BE DETERMINED BY THE CUSTOMER.

DIMENSIONS WITHOUT TOLERANCES ARE FOR REF. ONLY

CONFIDENTIAL: THIS DRAWING AND ITS INFORMATION ARE THE EXCLUSIVE AND CONFIDENTIAL PROPERTY OF A.O. SMITH CORP. AND ARE NOT TO BE DISCLOSED, DUPLICATED, DISTRIBUTED OR OTHERWISE USED WITHOUT THE WRITTEN CONSENT OF A.O. SMITH CORP. - ALL RIGHTS RESERVED

MATERIAL	PROCESS

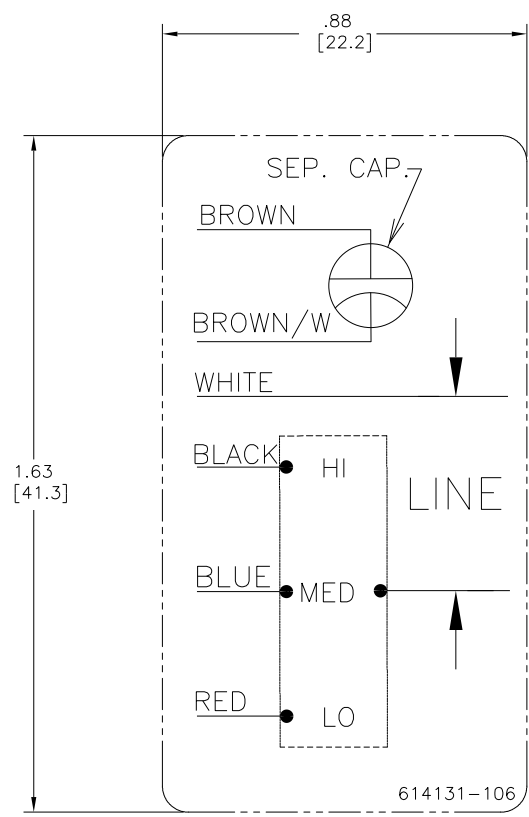
W. HEATH 05/11/95
T. RILEY 05/12/95

A.O. SMITH
ELECTRICAL PRODUCTS COMPANY
TIPP CITY, OHIO
A DIVISION OF A.O. SMITH CORPORATION
COPYRIGHT 1995

DESCRIPTION
OUTLINE MOTOR

SIZE **B** PART NUMBER **11773-035**

APPLICATION F48G06A01
USER/FILE PSCS/MOTOUT SCALE NONE NOTICE 95AN0238 SHEET 1 of 1



NOTES:

1. FOR USE WITH 614129 OR 2513020-001 NAMEPLATE BLANKS
2. _____ INDICATES DIMENSION LIMITS

DRAWING REVISION D	REVISION BY J. RUPERT	DATE 09-08-2022	TOLERANCES UNLESS OTHERWISE SPECIFIED DEC. INCH mm ANGLE .X ±0.1 [±2.5] ±0.5° .XX ±0.02 [±0.51] .XXX ±0.005 [±0.127] XXXX ±0.0005 [±0.0127]	DRAWN BY: PZ	Regal Beloit America, Inc.
ECO NMR-0216370	APPROVED BY J. RUPERT	DATE 09-08-2022	REMOVED BURRS & BREAK SHARP EDGES .003/.015 [0.076/.381] X 45° CORNER FILLETS R.02 [51] MACHINED SURFACES .125/ mm 32/ INCH mm 32/ mm SHOWN IN [BRACKETS]	DATE: 04-12-2011	
ECO DESCRIPTION REVISED FOR UP ISSUE			APPROVED BY: Tiger Wong	DATE: 04-12-2011	DESCRIPTION CONN-DIAGRAM NAMEPLATE
<small> COPYRIGHT REGAL BELOIT AMERICA, INC. ALL RIGHTS RESERVED. PROPRIETARY AND CONFIDENTIAL INFORMATION - THIS DOCUMENT IS THE PROPERTY OF REGAL BELOIT AMERICA, INC. (OWNER) AND CONTAINS OWNER'S PROPRIETARY INFORMATION. ANY REPRODUCTION OR OTHER FIRM RECEIVING IT IS DENIED. BY RECEIVING IT, TO AGREE THAT IT, AND/OR ANY PART OF IT, SHALL NOT BE DISCLOSED TO ANY PERSON, CORPORATION OR OTHER ENTITY, DUPLICATED, AND/OR USED, EXCEPT AS EXPRESSLY APPROVED IN WRITING IN ADVANCE BY OWNER. THIS DOCUMENT SHALL BE RETURNED TO OWNER UPON REQUEST. IT MAY BE SUBJECT TO CERTAIN RESTRICTIONS UNDER APPLICABLE EXPORT CONTROL LAWS AND REGULATIONS. </small>			REFERENCE	MATERIAL	PROCESS/FINISH
			THIRD ANGLE PROJECTION	SIZE DWG NO C 614131-106	SHEET 1