

PRODUCT INFORMATION PACKET



Model No: RAL1056

Catalog No: RAL1056

Fan Coil & Air Conditioner Motor, 1/2 HP, 1 Ph, 60 Hz, 115 V, 1075 RPM, 3 Speed, 48 Frame,
SEMI ENCLOSED



Regal and Century are trademarks of Regal Rexnord Corporation or one of its affiliated companies.
©2022 Regal Rexnord Corporation, All Rights Reserved. MC017097E





Nameplate Specifications

Output HP	1/2 Hp	Output KW	0.37 kW
Frequency	60 Hz	Voltage	115 V
Current	5.2 A	Speed	1075 rpm
Service Factor	1	Phase	1
Duty	Air Over	Insulation Class	A
Frame	48Y	Enclosure	Semi Enclosed
Thermal Protection	Automatic	Ambient Temperature	40 °C
UL	Recognized	CSA	Y
CE	N	Number of Speeds	3

Technical Specifications

Electrical Type	Permanent Split Capacitor	Starting Method	Across The Line
Poles	6	Rotation	Counterclockwise Lead End
Mounting	Resilient Ring/Extended Studs	Motor Orientation	Horizontal
Drive End Bearing	Sleeve	Opp Drive End Bearing	Sleeve
Frame Material	Rolled Steel	Shaft Type	Flat
Overall Length	20.00 in	Frame Length	4.75 in
Shaft Diameter	0.500 in	Shaft Extension	7.4X.5X7.3 in
Outline Drawing	RAL1056-S01	Connection Drawing	614131-106

This is an uncontrolled document once printed or downloaded and is subject to change without notice. Date Created:11/28/2022

GENERAL INFORMATION:

SHAFT RUNOUT: .001 [.03] T.I.R. PER INCH LENGTH OF EXTENSION

BEARINGS: BALL

MOUNTING POSITION: HORIZONTAL

ELECTRICAL DATA:

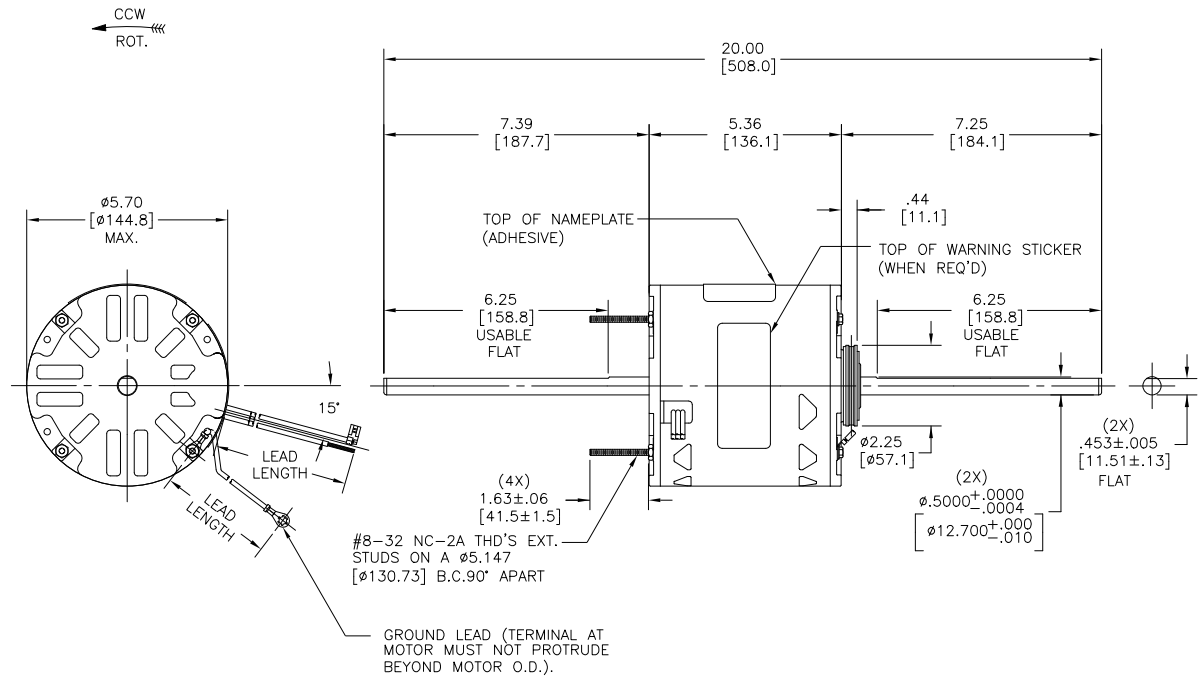
OVERLOAD PROTECTOR: AUTOMATIC RESET (SENSATA 7AM 032)

LEADS: NO. 18 GA., .06 [1.5] THK. PVC 105°C INSUL.

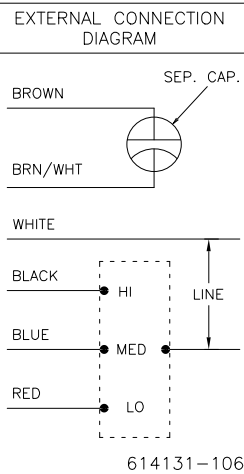
GROUND LEAD: NO. 18 GA., .03 [.8] THK. (GREEN) INSUL.

NOTE:
 1.DISTRIBUTION:CUST.P/N:RAL1056
 GRAINGER:CUST.P/N:4MA77
 2.615059-001 PESILENT MOUNTING KIT
 TO BE PACKED WITH MOTOR

SEE NOTE 1



NAMEPLATE DATA:
 MODEL NO.: F48SQ6L35B1
 CUST. P/N: []
 HP: 1/2
 ROT.: CCWLE
 RPM: 1075/3 SPD
 TYPE: UF
 FRAME: 48Y
 VOLTS: 115
 PH: 1
 AMPS: 5.2 (7.6 MAX)
 HZ: 60/50
 INS.: A
 AMB.: 40°C
 DUTY: AIR OVER
 CAP.: 10 MFD/370 V
 ENCL: SEMI-ENCL.
 UL LOGO
 CSA LOGO
 THERMALLY PROTECTED



PERFORMANCE CURVE NO.	TORQUE @ 1075 RPM (25°C)	APPROVED SAMPLE	UL COMPONENT				CSA	
			FILE #	CCN #	FILE #	CLASS #		
C23733	45.0 OZ. FT.	EX11256-1	E46412	PRGY2	LR43341	4211-01		

COLOR	LENGTH	TERMINAL OR STRIP LENGTH
GREEN(GRD)	29.0/31.0 [737/787]	#10 EYELET
BROWN/WHITE	35.0/37.0 [889/940]	.25 [6.4] FLAG
BROWN	35.0/37.0 [889/940]	.25 [6.4] FLAG
WHITE	35.0/37.0 [889/940]	.60 [15.2] SKIN
BLACK	35.0/37.0 [889/940]	.60 [15.2] SKIN
BLUE	35.0/37.0 [889/940]	.60 [15.2] SKIN
RED	35.0/37.0 [889/940]	.60 [15.2] SKIN
COLOR	LENGTH	TERMINAL OR STRIP LENGTH

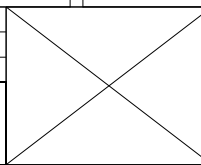
MAIN FRAME - OLE	SEMI-ENCLOSED
END FRAME - OLE	OPEN
MAIN FRAME - LE	SEMI-ENCLOSED
END FRAME - LE	OPEN

CUSTOMER	DISTRIBUTION SERVICE
----------	----------------------

LEAD DATA

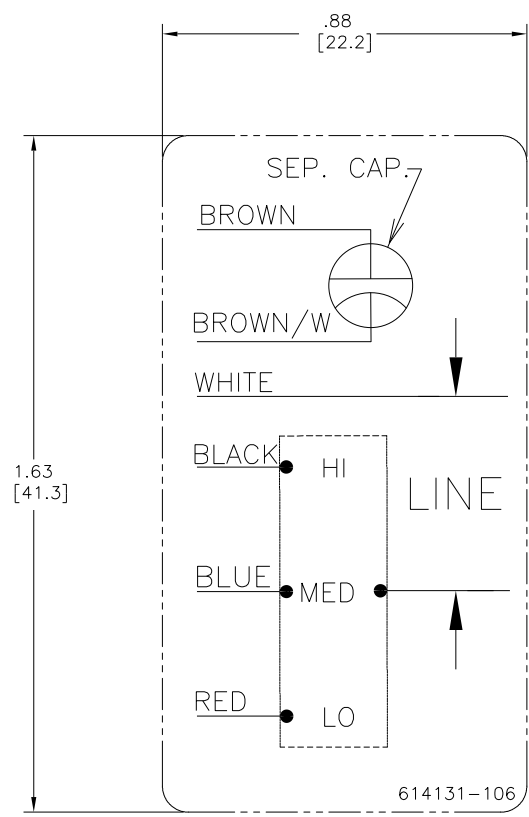
DRAWING REVISION	REVISION BY	DATE
ECO	J. RUPERT	09-07-2022
ECO	J. RUPERT	09-07-2022
DESCRIPTION		
CHANGED TO BALL BEARING		

COPYRIGHT REGAL BELTO AMERICA, INC. ALL RIGHTS RESERVED. PROPRIETARY AND CONFIDENTIAL INFORMATION - THIS DOCUMENT IS THE PROPERTY OF REGAL BELTO AMERICA, INC. (OWNER) AND CONTAINS OWNER'S PROPRIETARY INFORMATION. ANY PERSON, CORPORATION OR OTHER ENTITY RECEIVING IT IS SEEMED, BY RECEIVING IT, TO AGREE THAT IT, AND/OR ANY PART OF IT, SHALL NOT BE DISCLOSED TO ANY PERSON, CORPORATION OR OTHER ENTITY, DUPLICATED, AND/OR REPRODUCED, WITHOUT THE EXPRESS WRITING APPROVAL OF OWNER. THIS DOCUMENT SHALL BE RETURNED TO OWNER UPON REQUEST. IT MAY BE SUBJECT TO CERTAIN RESTRICTIONS UNDER APPLICABLE EXPORT CONTROL LAWS AND REGULATIONS.



ENCLOSURE

DRAWN BY: ANDERSON	
DATE: 05-12-1995	
APPROVED BY: T. RILEY	
DATE: 08-17-1995	
REFERENCE	DESCRIPTION: MODEL-RFHP-48FR OUTLINE
THIRD ANGLE PROJECTION	MATERIAL: [] PROCESS/FINISH: []
SIZE: C	DWG NO: RAL1056
	SHEET 1



- NOTES:
1. FOR USE WITH 614129 OR 2513020-001 NAMEPLATE BLANKS
 2. _____ INDICATES DIMENSION LIMITS

DRAWING REVISION D	REVISION BY J. RUPERT	DATE 09-08-2022	TOLERANCES UNLESS OTHERWISE SPECIFIED	DRAWN BY: PZ	Regal Beloit America, Inc.	
ECO NMR-0216370	APPROVED BY J. RUPERT	DATE 09-08-2022	DEC. INCH mm ANGLE .X ±0.1 [±2.5] ±0.5° .XX ±0.02 [±0.51] .XXX ±0.005 [±0.127] XXXX ±0.0005 [±0.0127]	DATE: 04-12-2011		
ECO DESCRIPTION REVISED FOR UP ISSUE			REMOVE BURRS & BREAK SHARP EDGES .003/.015 [0.076/.381] X 45° CORNER FILLETS R.02 [51] MACHINED SURFACES .125/ mm 32/ INCH mm 32/	APPROVED BY: Tiger Wong	DESCRIPTION CONN-DIAGRAM NAMEPLATE	
<small> COPYRIGHT REGAL BELOIT AMERICA, INC. ALL RIGHTS RESERVED. PROPRIETARY AND CONFIDENTIAL INFORMATION - THIS DOCUMENT IS THE PROPERTY OF REGAL BELOIT AMERICA, INC. (OWNER) AND CONTAINS OWNER'S PROPRIETARY INFORMATION. ANY REPRODUCTION OR OTHER FIRM RECEIVING IT IS DENIED. BY RECEIVING IT, TO AGREE THAT IT, AND/OR ANY PART OF IT, SHALL NOT BE DISCLOSED TO ANY PERSON, CORPORATION OR OTHER ENTITY, DUPLICATED, AND/OR USED, EXCEPT AS EXPRESSLY APPROVED IN WRITING IN ADVANCE BY OWNER. THIS DOCUMENT SHALL BE RETURNED TO OWNER UPON REQUEST. IT MAY BE SUBJECT TO CERTAIN RESTRICTIONS UNDER APPLICABLE EXPORT CONTROL LAWS AND REGULATIONS. </small>			DATE: 04-12-2011	REFERENCE	MATERIAL	PROCESS/FINISH
			THIRD ANGLE PROJECTION	SIZE DWG NO C 614131-106	SHEET 1	