

PRODUCT INFORMATION PACKET



Model No: RA1076
Catalog No: RA1076
Fan Coil & Air Conditioner Motor, 3/4 HP, 1 Ph, 60 Hz, 208-230 V, 1075 RPM, 3 Speed, 48 Frame,
SEMI ENCLOSED



Regal and Century are trademarks of Regal Rexnord Corporation or one of its affiliated companies.
©2022 Regal Rexnord Corporation, All Rights Reserved. MC017097E





Nameplate Specifications

Output HP	3/4 Hp	Output KW	0.56 kW
Frequency	60 Hz	Voltage	208-230 V
Current	3.6 A	Speed	1075 rpm
Service Factor	1	Phase	1
Duty	Air Over	Insulation Class	A
Frame	48Y	Enclosure	Semi Enclosed
Thermal Protection	Automatic	Ambient Temperature	40 °C
UL	Recognized	CSA	Y
CE	N	Number of Speeds	3

Technical Specifications

Electrical Type	Permanent Split Capacitor	Starting Method	Across The Line
Poles	6	Rotation	Counterclockwise Lead End
Mounting	Resilient Ring/Extended Studs	Motor Orientation	Horizontal
Drive End Bearing	Ball	Opp Drive End Bearing	Ball
Frame Material	Rolled Steel	Shaft Type	Flat
Overall Length	20.00 in	Frame Length	4.75 in
Shaft Diameter	0.500 in	Shaft Extension	7.4 X.5 X7.3 in
Outline Drawing	RA1076-S01	Connection Drawing	614131-106

This is an uncontrolled document once printed or downloaded and is subject to change without notice. Date Created:11/28/2022

GENERAL INFORMATION:

SHAFT RUNOUT: .001 [.025] T.I.R. PER INCH LENGTH OF EXTENSION

BEARINGS: BALL

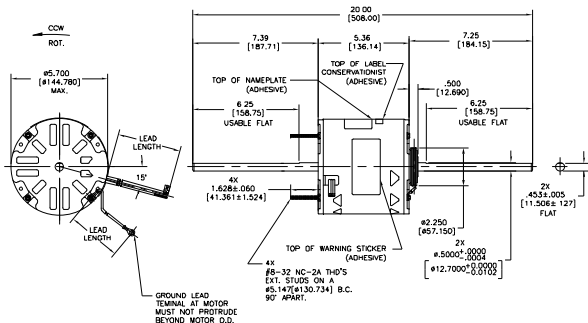
MOUNTING POSITION: HORIZONTAL

ELECTRICAL DATA

OVERLOAD PROTECTOR: AUTOMATIC RESET (SENSATA 7AM 032)

LEADS: NO. 18 GA., .06 [1.52] THK. 105°C PVC INSUL.

GROUND LEAD: NO. 18 GA., .03 [.76] THK. (GREEN) INSUL.



NOTES:

- 1 10008025-002-001 RESILIENT MOUNTING KIT TO BE PACKED WITH MOTOR;
- 2 THE SYMBOL OF CTO: A (NO CTO ON THIS DRAWING);
- 3 MEET THE REQUIREMENT OF R_{HS} & REACH, SEE EPD00014..5.1.

NAMEPLATE DATA:	EXTERNAL CONNECTION DIAGRAM
MODEL: F48S06L36 CUST. P./N: RA1076 HP: 3/4 ROT: CDMLE RPM: 1075/3 SPD. TYPE: UF FRAME: 48Y VOLTS: 208-230 PH: 1 AMPS: 3.6 (5.0 MAX.) HZ: 60 INS: A AMB: 40°C DUTY: AIR OVER CAP.: 7.5 MFD/370V ENCL: SEMI-ENCL. CSA 1000 UL LOGO THERMALLY PROTECTED	<p>SEPARATE CAPACITOR (SEP. CAP.)</p> <p>BROWN</p> <p>BROWN/W</p> <p>WHITE</p> <p>BLACK HI</p> <p>BLUE MED</p> <p>RED LO</p> <p>LINE</p>
	814131-108

GREEN (GRD)	29/31[737/787]	#10 EYELET
BROWN/WHITE	35/37[889/940]	.25[6.35] FLAG
BROWN	35/37[889/940]	.25[6.35] FLAG
WHITE	35/37[889/940]	.60[15.24] SKIN
BLACK	35/37[889/940]	.60[15.24] SKIN
BLUE	35/37[889/940]	.60[15.24] SKIN
RED	35/37[889/940]	.60[15.24] SKIN
COLOR	LENGTH	TERMINAL OR STRIP LENGTH

REGAL-BELOIT CORPORATION (RBC) PROVIDES TECHNICAL ASSISTANCE TO OUR CUSTOMERS IN SEVERAL AREAS, SINCE RBC DOES NOT RECEIVE ALL DATA CONCERNING THE USE AND APPLICATION OF THE MOTOR, THE SUITABILITY OF THE MOTOR FOR THE APPLICATION MUST BE DETERMINED BY THE CUSTOMER.

DIMENSIONS WITHOUT TOLERANCES ARE FOR REFERENCE ONLY

MAIN FRAME - OLE	SEMI-ENCLOSED
END FRAME - OLE	OPEN
MAIN FRAME - LE	SEMI-ENCLOSED
END FRAME - LE	OPEN

LEAD DATA

LEADING WIRENO. BY	DATE
3	04-07-2021
2	04-07-2021
1	04-07-2021

TOP ISSUED TO ADD TO REVNO5A

REGAL-BELOIT CORPORATION (RBC) PROVIDES TECHNICAL ASSISTANCE TO OUR CUSTOMERS IN SEVERAL AREAS, SINCE RBC DOES NOT RECEIVE ALL DATA CONCERNING THE USE AND APPLICATION OF THE MOTOR, THE SUITABILITY OF THE MOTOR FOR THE APPLICATION MUST BE DETERMINED BY THE CUSTOMER.

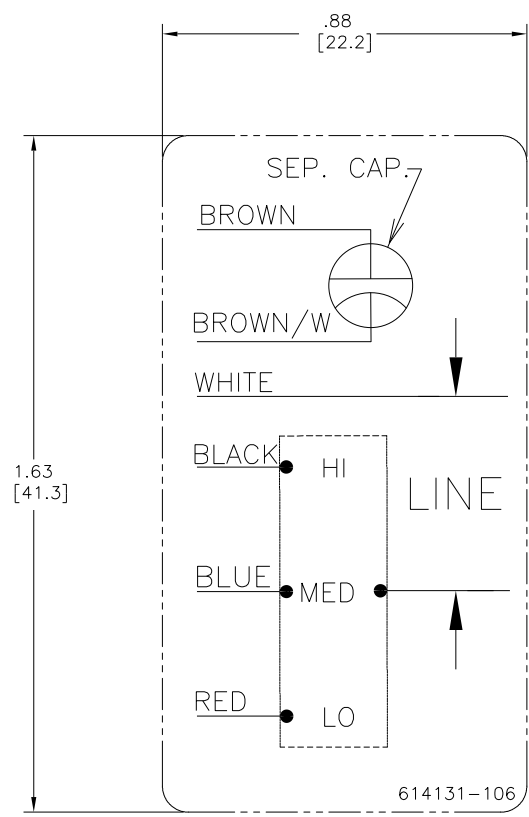
ENCLOSURE

DATE	BY
04-07-2021	04-07-2021
04-07-2021	04-07-2021
04-07-2021	04-07-2021

REGAL-BELOIT CORPORATION (RBC) PROVIDES TECHNICAL ASSISTANCE TO OUR CUSTOMERS IN SEVERAL AREAS, SINCE RBC DOES NOT RECEIVE ALL DATA CONCERNING THE USE AND APPLICATION OF THE MOTOR, THE SUITABILITY OF THE MOTOR FOR THE APPLICATION MUST BE DETERMINED BY THE CUSTOMER.

CUST. DISTRIBUTION SERVICES

REGAL-BELOIT CORPORATION (RBC)	Regal Beloit America, Inc.
MODEL: RPH-48FR	OUTLINE
MATERIAL	PROCESS/FINISH
RA1076	



- NOTES:
1. FOR USE WITH 614129 OR 2513020-001 NAMEPLATE BLANKS
 2. _____ INDICATES DIMENSION LIMITS

DRAWING REVISION D	REVISION BY J. RUPERT	DATE 09-08-2022	TOLERANCES UNLESS OTHERWISE SPECIFIED	DRAWN BY: PZ	Regal Beloit America, Inc.	
ECO NMR-0216370	APPROVED BY J. RUPERT	DATE 09-08-2022	DEC. INCH mm ANGLE .X ±0.1 [±2.5] ±0.5° .XX ±0.02 [±0.51] .XXX ±0.005 [±0.127] XXXX ±0.0005 [±0.0127]	DATE: 04-12-2011		
ECO DESCRIPTION REVISED FOR UP ISSUE			REMOVE BURRS & BREAK SHARP EDGES .003/.015 [0.076/.381] X 45° CORNER FILLETS R.02 [51] MACHINED SURFACES .125/ mm	APPROVED BY: Tiger Wong	DESCRIPTION CONN-DIAGRAM NAMEPLATE	
<small> COPYRIGHT REGAL BELOIT AMERICA, INC. ALL RIGHTS RESERVED. PROPRIETARY AND CONFIDENTIAL INFORMATION - THIS DOCUMENT IS THE PROPERTY OF REGAL BELOIT AMERICA, INC. (OWNER) AND CONTAINS OWNER'S PROPRIETARY INFORMATION. ANY REPRODUCTION OR OTHER FIRM RECEIVING IT IS DENIED. BY RECEIVING IT, TO AGREE THAT IT, AND/OR ANY PART OF IT, SHALL NOT BE DISCLOSED TO ANY PERSON, CORPORATION OR OTHER ENTITY, DUPLICATED, AND/OR USED, EXCEPT AS EXPRESSLY APPROVED IN WRITING IN ADVANCE BY OWNER. THIS DOCUMENT SHALL BE RETURNED TO OWNER UPON REQUEST. IT MAY BE SUBJECT TO CERTAIN RESTRICTIONS UNDER APPLICABLE EXPORT CONTROL LAWS AND REGULATIONS. </small>			DATE: 04-12-2011	REFERENCE	MATERIAL	PROCESS/FINISH
			THIRD ANGLE PROJECTION	SIZE DWG NO C 614131-106	SHEET 1	