

PRODUCT INFORMATION PACKET



Model No: RA1074
Catalog No: RA1074

3/4 HP Fan Coil / Room Air Conditioner Motor, 1625 RPM, 3 Speed, 208-230 Volts, 48 Frame, Semi Enclosed
Fan Coil & Air Conditioner Motors



Regal and Century are trademarks of Regal Rexnord Corporation or one of its affiliated companies.
©2021 Regal Rexnord Corporation, All Rights Reserved. MC017097E





Nameplate Specifications

| | | | |
|--------------------|-------------------|---------------------|----------------------|
| Output HP | 3/4 Hp | Output KW | 0.56 kW |
| Frequency | 60 Hz | Voltage | 208-230 V |
| Current | 3.8 A | Speed | 1625 rpm |
| Service Factor | 1 | Phase | 1 |
| Duty | Air Over | Insulation Class | A |
| Frame | 48Y | Enclosure | Semi Enclosed |
| Thermal Protection | Automatic | Ambient Temperature | 40 °C |
| UL | Recognized | CSA | Y |
| CE | N | Number of Speeds | 3 |

Technical Specifications

| | | | |
|--------------------|--------------------------------------|-----------------------|----------------------------------|
| Electrical Type | Permanent Split Capacitor | Starting Method | Across The Line |
| Poles | 4 | Rotation | Counterclockwise Lead End |
| Mounting | Resilient Ring/Extended Studs | Motor Orientation | Horizontal |
| Drive End Bearing | Sleeve | Opp Drive End Bearing | Sleeve |
| Frame Material | Rolled Steel | Shaft Type | Flat |
| Overall Length | 20.00 in | Frame Length | 5.00 in |
| Shaft Diameter | 0.500 in | Shaft Extension | 7.1X.5X7.3 in |
| Connection Drawing | 614131-106 | Outline Drawing | RA1074-S01 |

This is an uncontrolled document once printed or downloaded and is subject to change without notice. Date Created:10/07/2021

4

3

2

1

| | | | | | |
|-----|-------------|---------|------------|----------|------------|
| REV | ECO | REV BY | DATE | APPD | DATE |
| G | ECO-0024313 | C.ZHANG | 02-16-2012 | B.C.SHEN | 02-16-2011 |

GENERAL INFORMATION:

SHAFT RUNOUT: .001[.03] T.I.R. PER INCH LENGTH OF EXTENSION.
 END PLAY: .010[.25] TO .063[1.60]
 BEARINGS: SLEEVE
 MOUNTING POSITION: HORIZONTAL

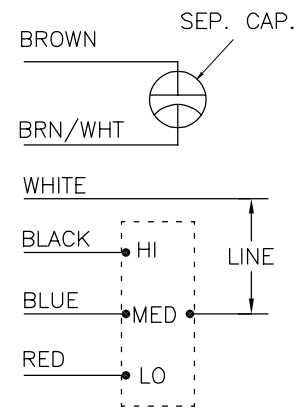
ELECTRICAL DATA:

OVERLOAD PROTECTOR: AUTOMATIC RESET (T.I. 7AM 032)
 LEADS: NO. 18 GA., .06[1.5] THK. PVC 105°C INSUL.
 GROUND LEAD: NO. 18 GA., .03[.8] THK., (GREEN) INSUL.

NAMEPLATE DATA:

EXTERNAL CONNECTION DIAGRAM

MODEL NO.: F48SQ4L5
 CUST. P/N: RA1074
 HP: 3/4
 ROT.: CCWLE
 RPM: 1625/3 SPD.
 TYPE: UF
 FRAME: 48Y
 VOLTS: 208-230
 PH: 1
 AMPS: 3.8(5.0 MAX.)
 HZ: 60
 INS.: A
 AMB.: 40° C
 DUTY: AIR OVER
 CAP.: 7.5 MFD/370V
 ENCL: SEMI-ENCL.
 CSA LOGO
 UL LOGO
 THERMALLY PROTECTED



614131-106

| | | | | | | |
|-----------------------|--------------------------|-----------------|--------------|-------|---------|---------|
| PERFORMANCE CURVE NO. | TORQUE @ 1625 RPM (25°C) | APPROVED SAMPLE | UL COMPONENT | | CSA | |
| C23027 | 49.2 OZ. FT. | EX11261 | FILE # | CCN # | FILE # | CLASS # |
| | | | E46412 | PRGY2 | LR43341 | 4211-01 |

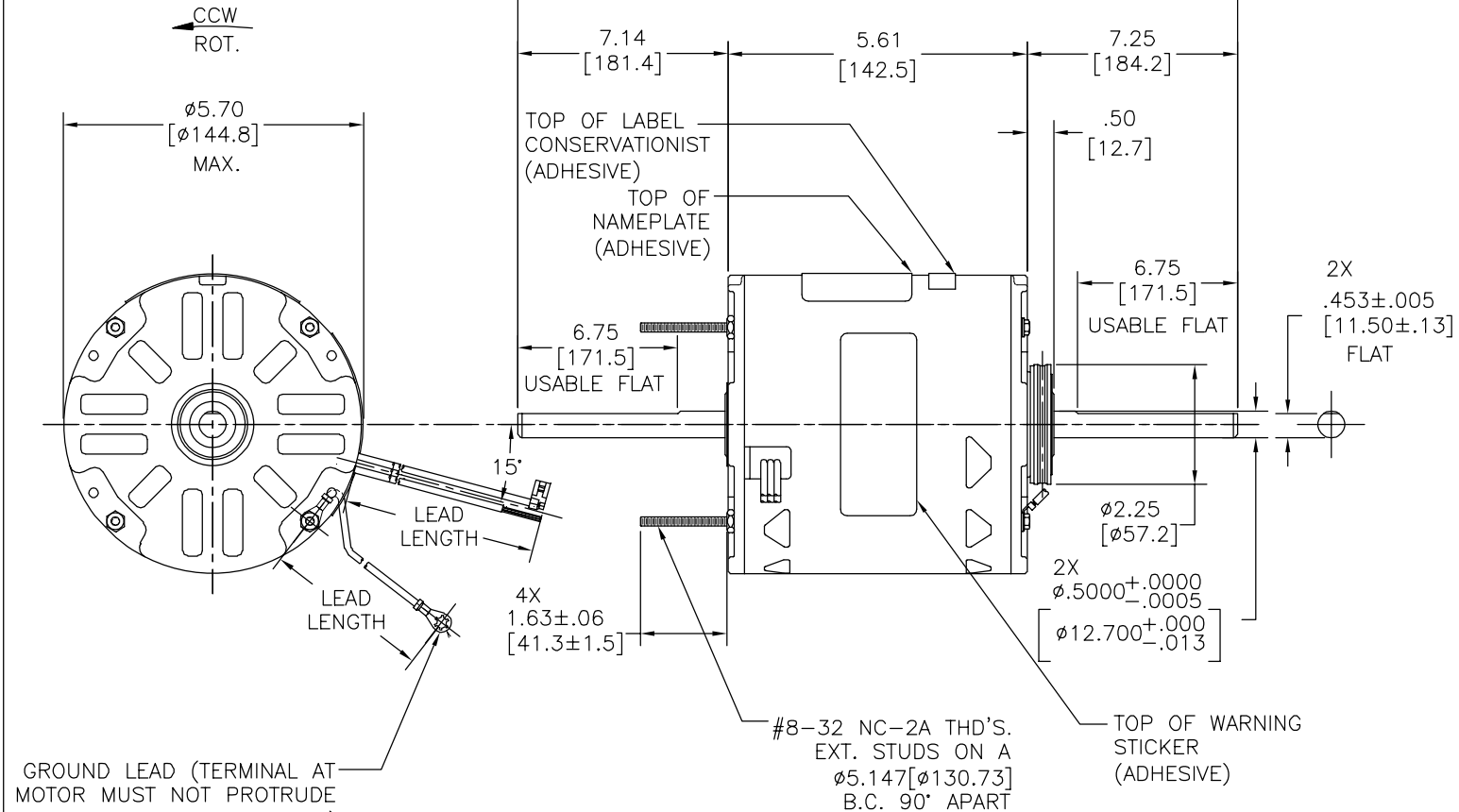
| | | |
|-------------|------------------------|--------------------------|
| GREEN(GRD) | 29.0/31.0 [737/787] | #10 EYELET |
| BROWN/WHITE | 35.0/37.0 [889/940] | .25[6.4] FLAG |
| BROWN | 35.0/37.0 [889/940] | .25[6.4] FLAG |
| WHITE | 35.0/37.0 [889/940] | .60[15.2] SKIN |
| BLACK | 35.0/37.0 [889/940] | .60[15.2] SKIN |
| BLUE | 35.0/37.0 [889/940] | .60[15.2] SKIN |
| RED | 35.0/37.0 [889/940] | .60[15.2] SKIN |
| COLOR | LENGTH | TERMINAL OR STRIP LENGTH |

LEAD DATA

| | |
|------------------|---------------|
| MAIN FRAME - OLE | SEMI-ENCLOSED |
| END FRAME - OLE | OPEN |
| MAIN FRAME - LE | SEMI-ENCLOSED |
| END FRAME - LE | OPEN |

| | |
|----------|----------------------|
| CUSTOMER | DISTRIBUTION SERVICE |
|----------|----------------------|

GROUND LEAD (TERMINAL AT MOTOR MUST NOT PROTRUDE BEYOND MOTOR O.D.)



NOTE:
615059-001 RESILENT MOUNTING KIT TO BE PACKED WITH MOTOR.

GEOMETRIC CHARACTERISTICS & SYMBOLS
 ▮ FLATNESS
 — STRAIGHTNESS
 ∠ ANGULARITY
 ⊥ PERPENDICULARITY (SQUARENESS)
 // PARALLELISM
 ○ ROUNDNESS (CIRCULARITY)
 ⌀ CYLINDRICITY
 △ PROFILE OF ANY SURFACE
 ∩ PROFILE OF ANY LINE
 ↗ RUNOUT
 ⊕ TRUE POSITION
 ⊙ CONCENTRICITY
 = SYMMETRY
 ASME Y14.5M 1994

REGAL-BELOIT CORPORATION (RBC) PROVIDES TECHNICAL ASSISTANCE TO OUR CUSTOMERS IN SEVERAL AREAS. SINCE RBC DOES NOT RECEIVE ALL DATA CONCERNING THE USE AND APPLICATION OF THE MOTOR, THE SUITABILITY OF THE MOTOR FOR THE APPLICATION MUST BE DETERMINED BY THE CUSTOMER.

DIMENSIONS WITHOUT TOLERANCES ARE FOR REFERENCE ONLY.

DR BY: C.ZHANG 02-16-2012
 APPD: B.C.SHEN 02-16-2012
 THIRD ANGLE PROJECTION
 EDS DATE 11-11-2011
 FORMAT REV G
 CONFIDENTIAL: THIS DRAWING AND ITS INFORMATION ARE THE EXCLUSIVE AND CONFIDENTIAL PROPERTY OF REGAL-BELOIT CORPORATION AND ARE NOT TO BE DISCLOSED, DUPLICATED, DISTRIBUTED OR OTHERWISE USED WITHOUT THE WRITTEN CONSENT OF REGAL-BELOIT CORPORATION. -ALL RIGHTS RESERVED.



DESCRIPTION: MODEL-RFHP-48FR OUTLINE
 SIZE: C DWG NO: RA1074
 SCALE: NONE SHEET: 1

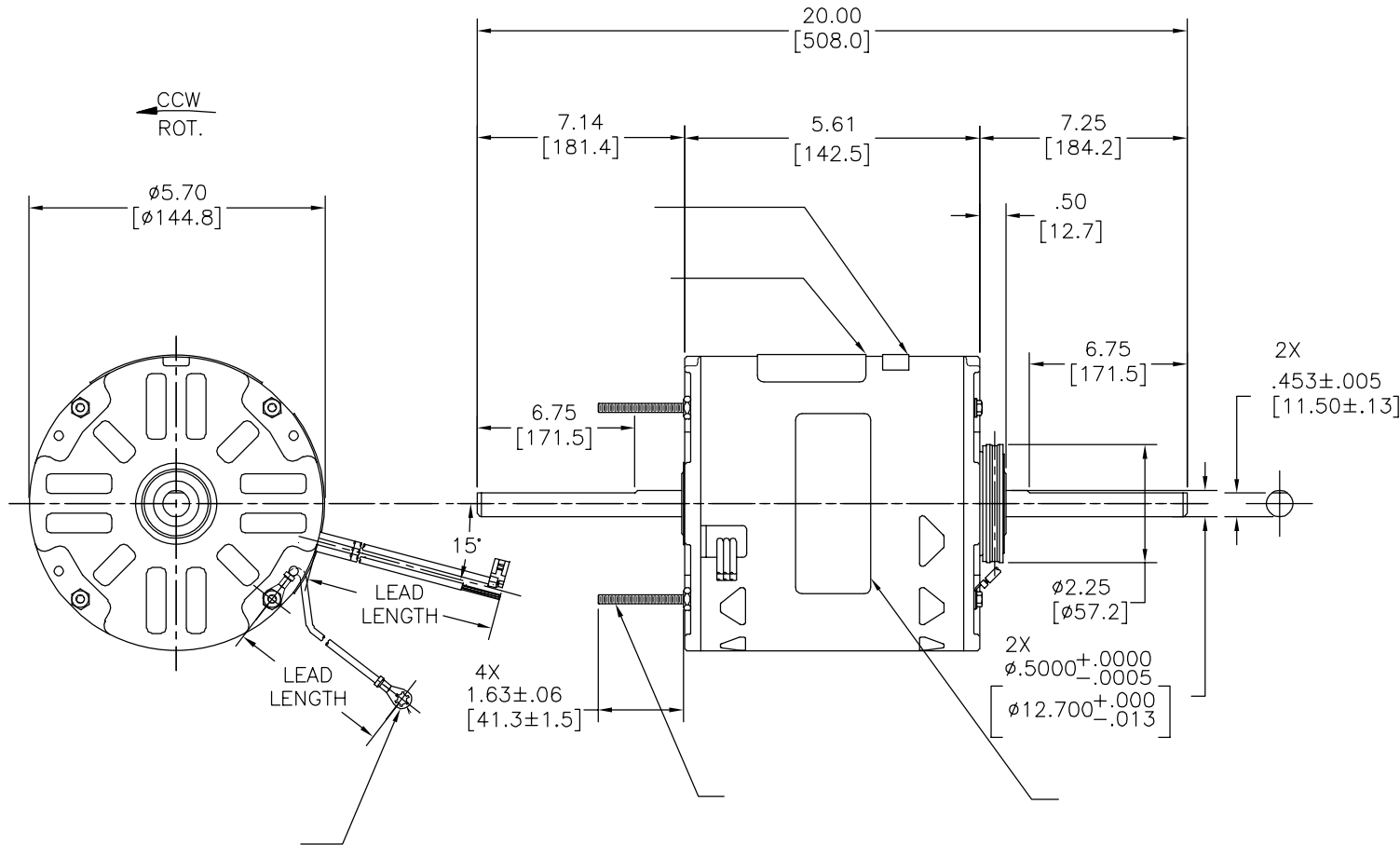
4

3

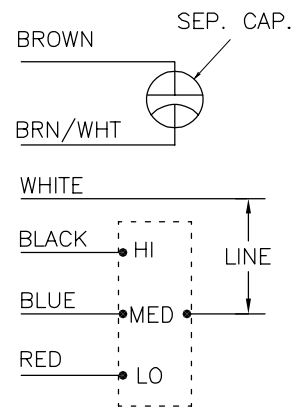
2

1

| | | | | | |
|-----------|-------------|---------------|------------|---------------|------------|
| REVISION: | ECO | REVISADO POR: | FECHA: | APROBADO POR: | FECHA: |
| G | ECO-0024313 | C.ZHANG | 02-16-2012 | B.C.SHEN | 02-16-2011 |



MODEL NO.: F48SQ4L5
 CUST. P/N: RA1074
 HP: 3/4
 ROT.: CCWLE
 RPM: 1625/3 SPD.
 TYPE: UF
 FRAME: 48Y
 VOLTS: 208-230
 PH: 1
 AMPS: 3.8(5.0 MAX.)
 HZ: 60
 INS.: A
 AMB.: 40° C
 DUTY: AIR OVER
 CAP.: 7.5 MFD/370V
 ENCL: SEMI-ENCL.
 CSA LOGO
 UL LOGO
 THERMALLY PROTECTED



614131-106

| | | |
|--|-----------|--|
| | 29.0/31.0 | |
| | [737/787] | |
| | 35.0/37.0 | |
| | [889/940] | |
| | 35.0/37.0 | |
| | [889/940] | |
| | 35.0/37.0 | |
| | [889/940] | |
| | 35.0/37.0 | |
| | [889/940] | |
| | 35.0/37.0 | |
| | [889/940] | |

| | |
|--|--|
| | |
| | |
| | |
| | |

DISTRIBUTION SERVICE

CARACTERISTICAS DE GEOMETRIA Y SIMBOLOS
 ▧ PLANICIDAD
 — RECTITUD
 < ANGULARIDAD
 ⊥ PERPENDICULARIDAD (A ESCUADRA)
 // PARALELISMO
 ○ REDONDEZ (CIRCULARIDAD)
 ∅ CILINDRICIDAD
 △ PERFIL DE CUALQUIER SUPERFICIE
 ▲ PERFIL DE CUALQUIER LINEA
 ↗ VARIACION
 ⊕ POSICION REAL
 ⊙ CONCENTRICIDAD
 = SIMETRIA
 ASME Y14.5M 1994

REGAL-BELOIT CORPORATION (RBC) PROVEE ASISTENCIA TECNICA A NUESTROS CLIENTES EN VARIAS AREAS. DESDE QUE RBC NO RECIBE TODOS LOS DATOS EN RELACION AL USO Y A LA APLICACION DEL MOTOR, LA APLICACION ADECUADA DEL MOTOR DEBE SER DETERMINADA POR EL CLIENTE.

DIMENSIONES SIN TOLERANCIA SON DE REFERENCIA SOLAMENTE

DIBUJADO POR: C.ZHANG
 APROBADO POR: B.C.SHEN
 TERCER ANGULO DE PROYECCION

02-16-2012
 02-16-2012
 FECHA EDS: 11-11-2011
 REV. FORMATO: G

CONFIDENCIAL: ESTE DIBUJO Y SU INFORMACION SON PROPIEDAD DE USO EXCLUSIVO Y CONFIDENCIAL DE REGAL-BELOIT CORPORATION. Y NO DEBERAN SER REVELADOS, DUPLICADOS, DISTRIBUIDOS O USARSE DE OTRA MANERA SIN EL CONSENTIMIENTO ESCRITO DE REGAL-BELOIT CORPORATION. -TODOS LOS DERECHOS RESERVADOS.

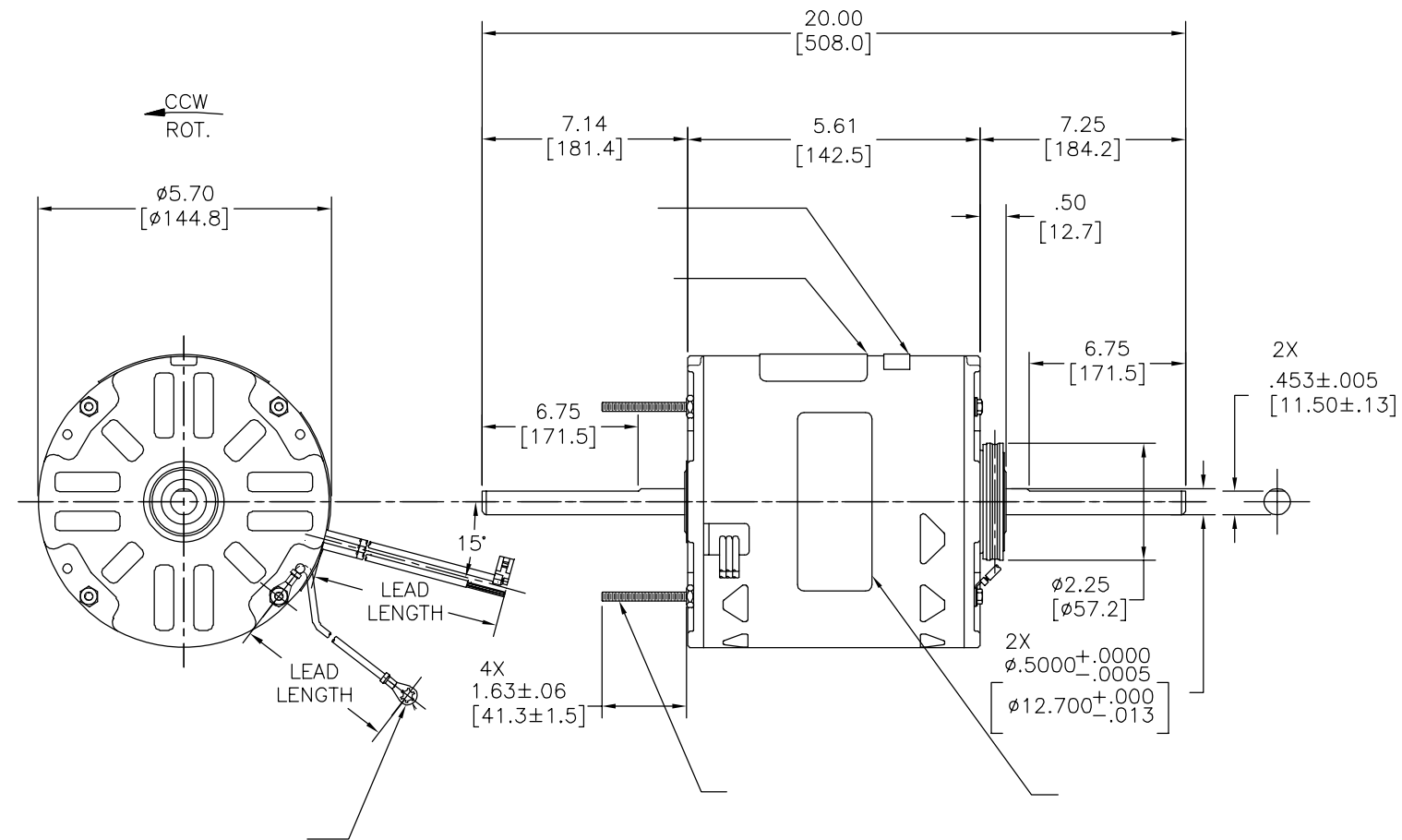


DESCRIPCION: MODEL-RFHP-48FR
 OUTLINE

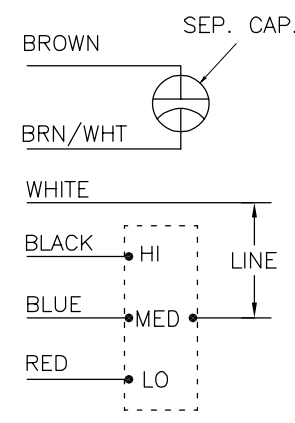
TAMAÑO: C NUMERO DE DIBUJO: RA1074

ESCALA: NONE HOJA: 1

| | | | | | |
|----|-------------|---------|------------|----------|------------|
| 版本 | ECO | 编制 | 日期 | 批准 | 日期 |
| G | ECO-0024313 | C.ZHANG | 02-16-2012 | B.C.SHEN | 02-16-2011 |



MODEL NO.: F48SQ4L5
 CUST. P/N: RA1074
 HP: 3/4
 ROT.: CCWLE
 RPM: 1625/3 SPD.
 TYPE: UF
 FRAME: 48Y
 VOLTS: 208-230
 PH: 1
 AMPS: 3.8(5.0 MAX.)
 HZ: 60
 INS.: A
 AMB.: 40° C
 DUTY: AIR OVER
 CAP.: 7.5 MFD/370V
 ENCL: SEMI-ENCL.
 CSA LOGO
 UL LOGO
 THERMALLY PROTECTED



| | | |
|--|-----------|--|
| | 29.0/31.0 | |
| | [737/787] | |
| | 35.0/37.0 | |
| | [889/940] | |
| | 35.0/37.0 | |
| | [889/940] | |
| | 35.0/37.0 | |
| | [889/940] | |
| | 35.0/37.0 | |
| | [889/940] | |
| | 35.0/37.0 | |
| | [889/940] | |

| | | | | | | |
|--------|--------------|---------|--------|-------|---------|---------|
| C23027 | 49.2 OZ. FT. | EX11261 | E46412 | PRGY2 | LR43341 | 4211-01 |
|--------|--------------|---------|--------|-------|---------|---------|

- 形位公差
- 平面度
- 直线度
- ∠ 倾斜度
- ⊥ 垂直度
- // 平行度
- 圆度
- ⊘ 圆柱度
- △ 面轮廓度
- ⌒ 线轮廓度
- ↗ 圆跳动
- ⊕ 位置度
- ⊙ 同轴度
- ≡ 对称度

ASME Y14.5M 1994

REGAL-BELOIT CORPORATION
 (RBC)在个别领域为客户
 提供技术支持。鉴于RBC
 未收到任何涉及电机使用和
 应用环境的数据，电机的适用性
 由客户自己决定。

未注公差尺寸仅供参考。

| | | |
|---|----------|---------------------------------|
| 绘图: | C.ZHANG | 02-16-2012 |
| 批准: | B.C.SHEN | 02-16-2012 |
| 第三角投影 | | 图纸格式发布日期 11-11-2011 图纸格式版本 G |
| 机密: 本图纸及相关信息所有权归REGAL-BELOIT CORPORATION。 未经REGAL-BELOIT CORPORATION书面授权, 不得泄露、 复制、传播或作其他用途。一版权所有 | | |

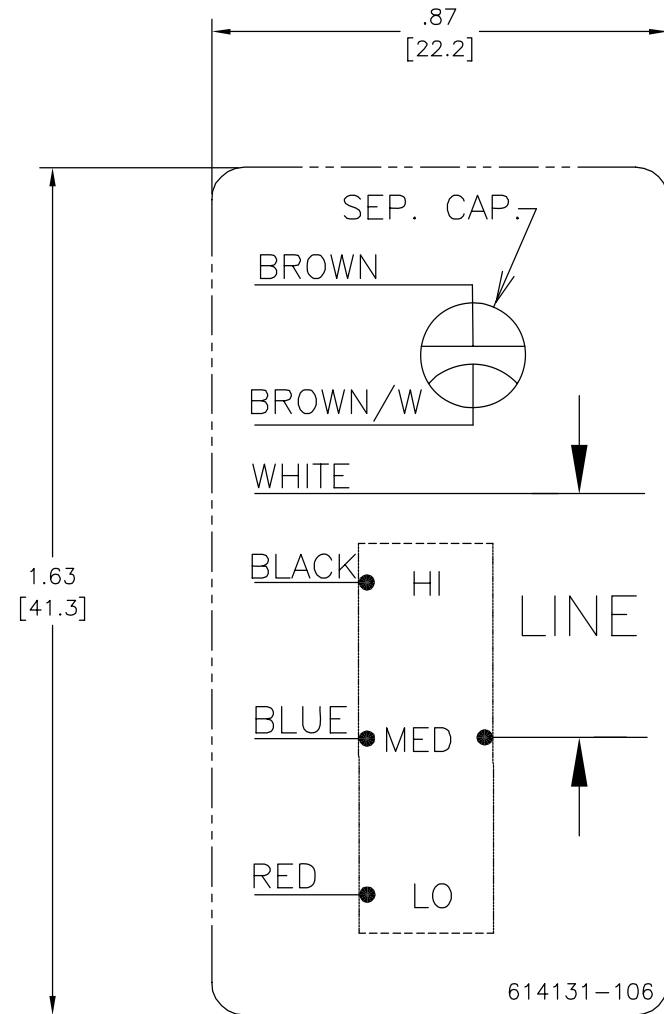
REGAL-BELOIT CORPORATION

名称: MODEL-RFHP-48FR
OUTLINE

图幅: C 图号: RA1074

比例: NONE 页号: 1

| | | | | | |
|-----|---------|--------|------------|------------|------------|
| REV | ECO | REV BY | DATE | APPD | DATE |
| C | 0019808 | PZ | 04-12-2011 | Tiger.Wang | 04-12-2011 |



NOTES:

1. FOR USE WITH 614129 OR 2513020-001 NAMEPLATE BLANKS
2. _____ INDICATES DIMENSION LIMITS

GEOMETRIC CHARACTERISTICS & SYMBOLS

- ▭ FLATNESS
- STRAIGHTNESS
- ∠ ANGULARITY
- ⊥ PERPENDICULARITY (SQUARENESS)
- // PARALLELISM
- ROUNDNESS (CIRCULARITY)
- ⊘ CYLINDRICITY
- △ PROFILE OF ANY SURFACE
- ∩ PROFILE OF ANY LINE
- ↗ RUNOUT
- ⊕ TRUE POSITION
- ◎ CONCENTRICITY
- ≡ SYMMETRY

UNLESS OTHERWISE SPECIFIED DIM. TOLERANCES ARE AS FOLLOWS:

| | | | | |
|------|------|-------|--------|--------|
| INCH | ±.1 | ±.02 | ±.005 | ±.0005 |
| mm | ±0.5 | ±0.13 | ±0.013 | |

ANG. ±.50 DEG
REMOVE BURRS & BREAK SHARP EDGES:
INCH .003-.015 mm 0.1-0.4

CORNER FILLETS TO:
INCH .020 mm 0.5

MACHINE SURFACES:
INCH 125 mm 3.2

METRIC DIMS. SHOWN IN [BRACKETS]

| | | |
|---|------------|-------------------------------------|
| DR BY: | PZ | 04-12-2011 |
| APPD: | Tiger.Wang | 04-12-2011 |
| THIRD ANGLE PROJECTION | | EDS DATE 02-22-2011 FORMAT REV F |
| CONFIDENTIAL: THIS DRAWING AND ITS INFORMATION ARE THE EXCLUSIVE AND CONFIDENTIAL PROPERTY OF A.O. SMITH CORP. AND ARE NOT TO BE DISCLOSED, DUPLICATED, DISTRIBUTED OR OTHERWISE USED WITHOUT THE WRITTEN CONSENT OF A.O. SMITH CORP. -ALL RIGHTS RESERVED. ASME Y14.5M 1994 | | |

| | |
|---------------------------------------|--|
| | ELECTRICAL PRODUCTS COMPANY <small>A DIVISION OF A. O. SMITH CORPORATION</small> |
| DESCRIPTION CONN DIAGRAM-NAMEPLATE | |
| SIZE C | DWG NO 614131-106 |
| SCALE NONE | SHEET 1 |

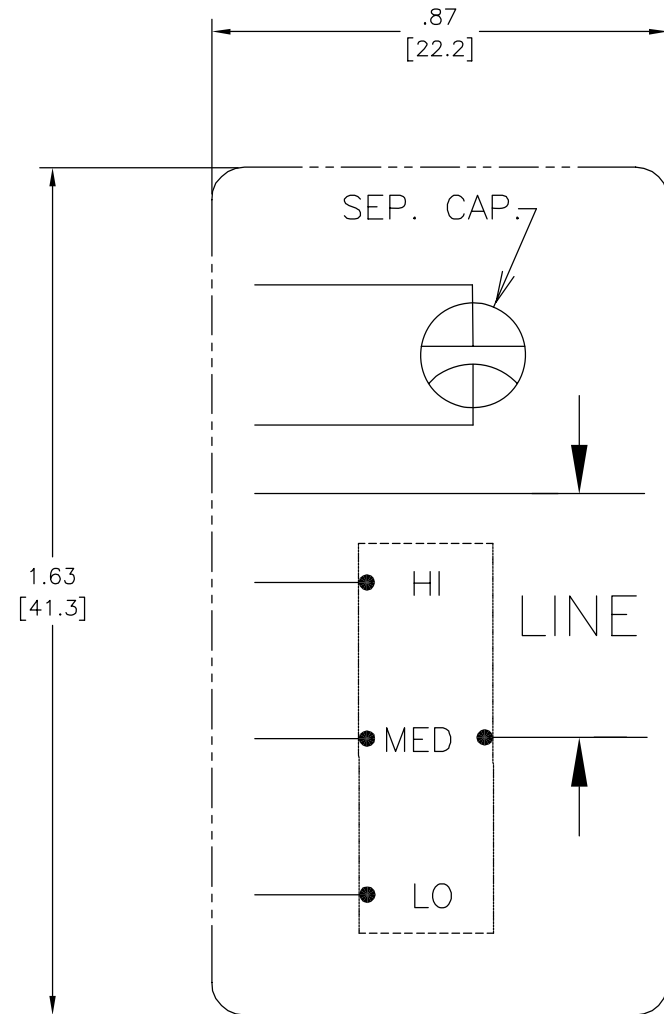
4

3

2

1

| | | | | | |
|-----------|---------|---------------|------------|---------------|------------|
| REVISION: | ECO | REVISADO POR: | FECHA: | APROBADO POR: | FECHA: |
| C | 0019808 | PZ | 04-12-2011 | Tiger.Wang | 04-12-2011 |



CARACTERISTICAS DE GEOMETRIA Y SIMBOLOS

- PLANICIDAD
- RECTITUD
- < ANGULARIDAD
- ⊥ PERPENDICULARIDAD (A ESCUADRA)
- // PARALELISMO
- REDONDEZ (CIRCULARIDAD)
- ∅ CILINDRICIDAD
- △ PERFIL DE CUALQUIER SUPERFICIE
- ∧ PERFIL DE CUALQUIER LINEA
- ↑ VARIACION
- ⊕ POSICION REAL
- ◎ CONCENTRICIDAD
- ≡ SIMETRIA

A MENOS QUE SE ESPECIFIQUE DE OTRA MANERA, LAS TOLERANCIAS DE LAS DIMS. SON LAS SIGUIENTES:

| | | | | |
|------|------|-------|--------|--------|
| | x | xx | xxx | xxxx |
| PULG | ±.1 | ±.02 | ±.005 | ±.0005 |
| mm | ±0.5 | ±0.13 | ±0.013 | |

ANG. ±.50 GRADOS
ELIMINAR REBABAS Y ORILLAS FILOSAS DEL BORDE.

| | | | |
|------|-----------|----|---------|
| PULG | .003-.015 | mm | 0.1-0.4 |
|------|-----------|----|---------|

FILETEAR ESQUINA: PULG .020 mm 0.5
MAQUINAR SUPERFICIES
PULG 125 mm 3.2

DIMS METRICAS MOSTRADAS [PARENTESIS]

| | | |
|--|------------|--|
| DIBUJADO POR: | PZ | 04-12-2011 |
| APROBADO POR: | Tiger.Wang | 04-12-2011 |
| TERCER ANGULO DE PROYECCION | ⊕ | FECHA EDS: 02-22-2011 REV. FORMATO: F |
| CONFIDENCIAL: ESTE DIBUJO Y SU INFORMACION SON PROPIEDAD DE USO EXCLUSIVO Y CONFIDENCIAL DE A.O.SMITH CORP. Y NO DEBERAN SER REVELADOS, DUPLICADOS, DISTRIBUIDOS O USARSE DE OTRA MANERA SIN EL CONSENTIMIENTO ESCRITO DE A.O. SMITH CORP. -TODOS LOS DERECHOS RESERVADOS.ASME Y14.5M 1994 | | |

| | | | |
|---|------------------------------|--|---------|
| ACSmith <small>Innovation has a name.</small> | | ELECTRICAL PRODUCTS COMPANY <small>A DIVISION OF A. O. SMITH CORPORATION</small> | |
| DESCRIPCION: | | | |
| TAMAÑO: C | NUMERO DE DIBUJO: 614131-106 | | |
| ESCALA: NONE | | | HOJA: 1 |

4

3

2

1

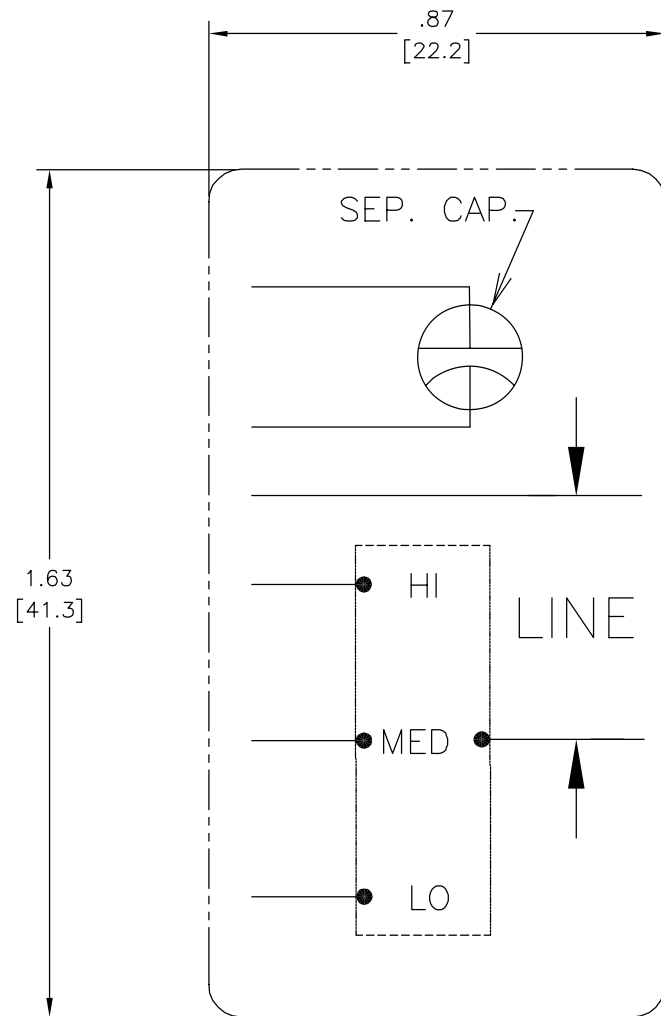
4

3

2

1

| | | | | | |
|----|---------|----|------------|------------|------------|
| 版本 | ECO | 编制 | 日期 | 批准 | 日期 |
| C | 0019808 | PZ | 04-12-2011 | Tiger.Wang | 04-12-2011 |



| |
|--------|
| 形位公差 |
| □ 平面度 |
| — 直线度 |
| ∠ 倾斜度 |
| ⊥ 垂直度 |
| // 平行度 |
| ○ 圆度 |
| ⊘ 圆柱度 |
| △ 面轮廓度 |
| ∩ 线轮廓度 |
| ↗ 圆跳动 |
| ⊕ 位置度 |
| ⊙ 同轴度 |
| ≡ 对称度 |

除另有注明
尺寸公差如下:

| | | | | |
|----|------|-------|--------|--------|
| 英寸 | X | XX | XXX | XXXX |
| 毫米 | ±.1 | ±.02 | ±.005 | ±.0005 |
| 角度 | ±.50 | ±0.13 | ±0.013 | |

清理毛刺和尖棱
英寸 .003-.015 毫米 0.1-0.4

内圆角
英寸 .020 毫米 0.5

表面粗糙度
英制 125 米制 3.2

米制尺寸显示在 []

| | | |
|---|------------|---------------------------------|
| 绘图: | PZ | 04-12-2011 |
| 批准: | Tiger.Wang | 04-12-2011 |
| 第三角投影 | | 图纸格式发布日期 02-22-2011 图纸格式版本 F |
| 机密: 本图纸及相关信息所有权归A. O. SMITH公司所有。 未经A. O. SMITH公司书面授权, 不得泄露、复制、传播或作 其他用途。—版权所有 | | |
| ASME Y14.5M 1994 | | |

| | | | |
|----|------|--|------------|
| | | ELECTRICAL PRODUCTS COMPANY <small>A DIVISION OF A. O. SMITH CORPORATION</small> | |
| 名称 | | | |
| 图幅 | C | 图号 | 614131-106 |
| 比例 | NONE | 页号 | 1 |

4

3

2

1