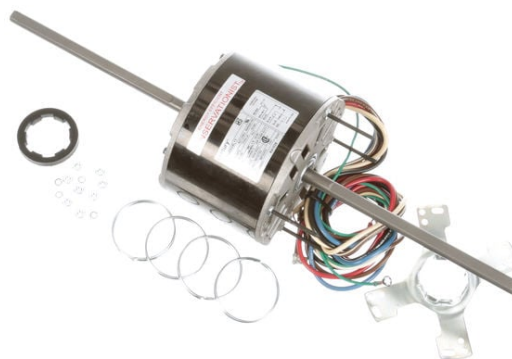


PRODUCT INFORMATION PACKET



Model No: RA1026
Catalog No: RA1026
Fan Coil & Air Conditioner Motor, 1/4 HP, 1 Ph, 60 Hz, 208-230 V, 1075 RPM, 3 Speed, 48 Frame,
SEMI ENCLOSED



Regal and Century are trademarks of Regal Rexnord Corporation or one of its affiliated companies.
©2022 Regal Rexnord Corporation, All Rights Reserved. MC017097E





Nameplate Specifications

Output HP	1/4 Hp	Output KW	0.19 kW
Frequency	60 Hz	Voltage	208-230 V
Current	1.5 A	Speed	1075 rpm
Service Factor	1	Phase	1
Duty	Air Over	Insulation Class	B
Frame	48Y	Enclosure	Semi Enclosed
Thermal Protection	Automatic	Ambient Temperature	60 °C
UL	Recognized	CSA	Y
CE	N	Number of Speeds	3

Technical Specifications

Electrical Type	Permanent Split Capacitor	Starting Method	Across The Line
Poles	6	Rotation	Counterclockwise Lead End
Mounting	Resilient Ring/Extended Studs	Motor Orientation	Horizontal
Drive End Bearing	Sleeve	Opp Drive End Bearing	Sleeve
Frame Material	Rolled Steel	Shaft Type	Flat
Overall Length	20.00 in	Frame Length	3.50 in
Shaft Diameter	0.500 in	Shaft Extension	7.9X.5X8.0 in
Outline Drawing	RA1026-S01	Connection Drawing	614131-106

This is an uncontrolled document once printed or downloaded and is subject to change without notice. Date Created:11/29/2022

GENERAL INFORMATION:

SHAFT RUNOUT: .001 [.03] T.I.R. PER INCH LENGTH OF EXTENSION

BEARINGS: BALL

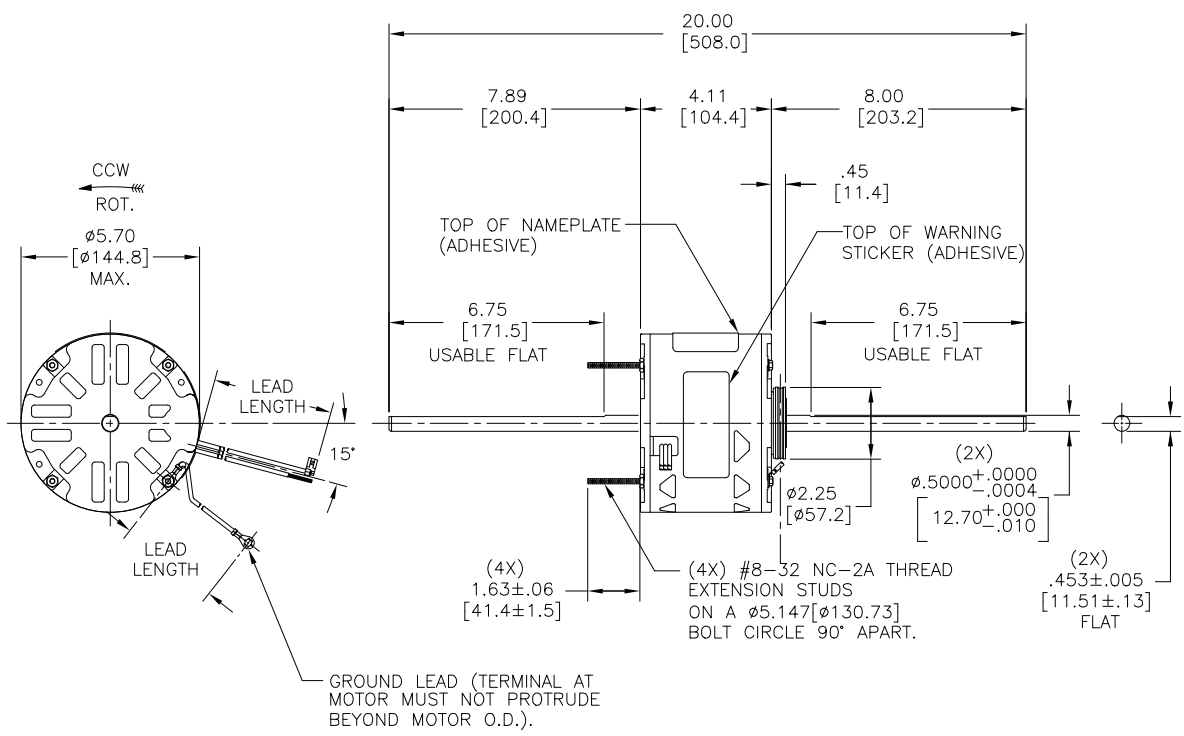
MOUNTING POSITION: HORIZONTAL

ELECTRICAL DATA:

OVERLOAD PROTECTOR: AUTOMATIC RESET (SENSATA 7AM 036)

LEADS: NO. 18 GA., .06 [1.5] THK., 105°C PVC INSUL.

GROUND LEAD: NO. 18 GA., .03 [.8] THK. (GREEN) INSUL.



SEE NOTE 2

NAMEPLATE DATA:	EXTERNAL CONNECTION DIAGRAM
MODEL NO.: F48SG6L11 CUST. P/N: [] HP: 1/4 ROT.: CCWLE RPM: 1075/3 SPD TYPE: UF FRAME: 48Y VOLTS: 208-230 PH: 1 AMPS: 1.5 (1.9 MAX) HZ: 60 INS.: B AMB.: 60°C DUTY: AIR OVER CAP: 5 MFD/370V ENCL: SEMI-ENCL. CSA LOGO UL LOGO THERMALLY PROTECTED	
614131-106	

GREEN (GRD)	29.0/31.0 [737/787]	#10 EYELET
BROWN/WHITE	35.0/37.0 [889/940]	.25 [6.4] FLAG
BROWN	35.0/37.0 [889/940]	.25 [6.4] FLAG
WHITE	35.0/37.0 [889/940]	.60 [15.2] SKIN
BLACK	35.0/37.0 [889/940]	.60 [15.2] SKIN
BLUE	35.0/37.0 [889/940]	.60 [15.2] SKIN
RED	35.0/37.0 [889/940]	.60 [15.2] SKIN
COLOR	LENGTH	TERMINAL OR STRIP LENGTH

- NOTES:
- 615059-001 RESILIENT MOUNTING KIT TO BE PACKED WITH MOTOR.
 - DISTRIBUTION PART NUMBER: RA1026
GRAINGER PART NUMBER: 4MA57

PERFORMANCE CURVE NO.	TORQUE @ 1075 RPM (25°C)	APPROVED SAMPLE	UL COMPONENT				CSA	
C23006	23.0 OZ. FT.	EX11258	FILE #	CCN#	FILE #	CLASS #		
			E46412	PRGY2	LR43341	4211-01		

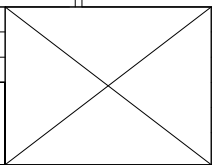
MAIN FRAME - OLE	SEMI-ENCLOSED
END FRAME - OLE	OPEN
MAIN FRAME - LE	SEMI-ENCLOSED
END FRAME - LE	OPEN

CUSTOMER	DISTRIBUTION SERVICE
----------	----------------------

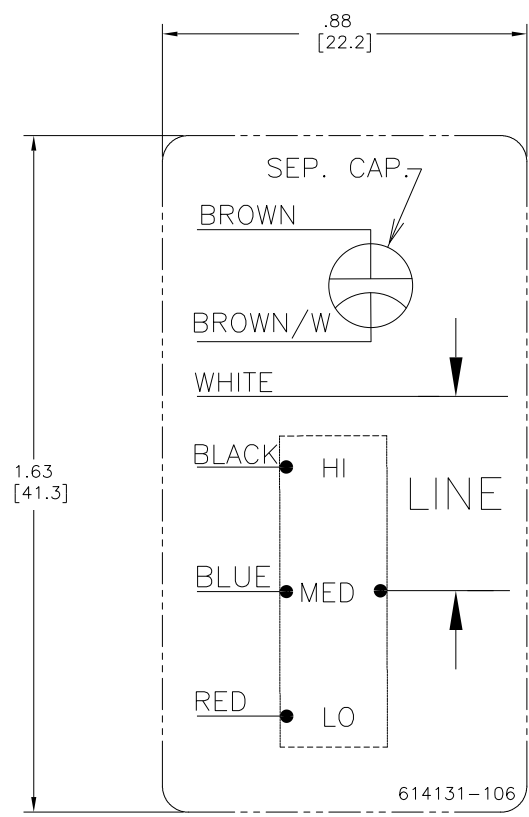
LEAD DATA

DRAWING REVISION	REVISION BY	DATE
ECO	J. RUPERT	10-17-2022
ECO	J. RUPERT	10-17-2022
ECO DESCRIPTION		
CHANGED TO BALL BEARING		

COPYRIGHT REGAL BELTO AMERICA, INC. ALL RIGHTS RESERVED. PROPRIETARY AND CONFIDENTIAL INFORMATION - THIS DOCUMENT IS THE PROPERTY OF REGAL BELTO AMERICA, INC. (OWNER) AND COMPANY OWNER'S PROPRIETARY INFORMATION. ANY PERSON, CORPORATION OR OTHER ENTITY, DUPLICATED, AND/OR REPRODUCED, BY RECEIVING IT, TO AGREE THAT IT, AND/OR ANY PART OF IT, SHALL NOT BE DISCLOSED TO ANY PERSON, CORPORATION OR OTHER ENTITY, DUPLICATED, AND/OR REPRODUCED, EXCEPT AS EXPRESSLY APPROVED IN WRITING IN ADVANCE BY OWNER. THIS DOCUMENT SHALL BE RETURNED TO OWNER UPON REQUEST. IT MAY BE SUBJECT TO CERTAIN RESTRICTIONS UNDER APPLICABLE EXPORT CONTROL LAWS AND REGULATIONS.



ENCLOSURE		DRAWN BY: F. NAVARRO		DATE: 01-08-2013	
APPROVED BY: J. CISNEROS		DATE: 01-08-2013		DESCRIPTION: MODEL-RFHP-48FR OUTLINE	
REFERENCE	MATERIAL	PROCESS/FINISH	SIZE	DWG NO	SHEET
			C	RA1026	1



- NOTES:
1. FOR USE WITH 614129 OR 2513020-001 NAMEPLATE BLANKS
 2. _____ INDICATES DIMENSION LIMITS

DRAWING REVISION D	REVISION BY J. RUPERT	DATE 09-08-2022	TOLERANCES UNLESS OTHERWISE SPECIFIED DEC. INCH mm ANGLE .X ±0.1 [±2.5] ±0.5° .XX ±0.02 [±0.51] .XXX ±0.005 [±0.127] XXXX ±0.0005 [±0.0127]	DRAWN BY: PZ	Regal Beloit America, Inc.
ECO NMR-0216370	APPROVED BY J. RUPERT	DATE 09-08-2022	REMOVED BURRS & BREAK SHARP EDGES .003/.015 [0.076/.381] X 45° CORNER FILLETS R.02 [51] MACHINED SURFACES .125/ mm	DATE: 04-12-2011	
ECO DESCRIPTION REVISED FOR UP ISSUE			REMOVE BURRS & BREAK SHARP EDGES .003/.015 [0.076/.381] X 45° CORNER FILLETS R.02 [51] MACHINED SURFACES .125/ mm	APPROVED BY: Tiger Wong	DESCRIPTION CONN-DIAGRAM NAMEPLATE
<small> COPYRIGHT REGAL BELOIT AMERICA, INC. ALL RIGHTS RESERVED. PROPRIETARY AND CONFIDENTIAL INFORMATION - THIS DOCUMENT IS THE PROPERTY OF REGAL BELOIT AMERICA, INC. (OWNER) AND CONTAINS OWNER'S PROPRIETARY INFORMATION. ANY REPRODUCTION OR OTHER FIRM RECEIVING IT IS DENIED. BY RECEIVING IT, TO AGREE THAT IT, AND/OR ANY PART OF IT, SHALL NOT BE DISCLOSED TO ANY PERSON, CORPORATION OR OTHER ENTITY, DUPLICATED, AND/OR USED, EXCEPT AS EXPRESSLY APPROVED IN WRITING IN ADVANCE BY OWNER. THIS DOCUMENT SHALL BE RETURNED TO OWNER UPON REQUEST. IT MAY BE SUBJECT TO CERTAIN RESTRICTIONS UNDER APPLICABLE EXPORT CONTROL LAWS AND REGULATIONS. </small>			DATE: 04-12-2011	DATE: 04-12-2011	MATERIAL
			THIRD ANGLE PROJECTION	REFERENCE	PROCESS/FINISH
			SIZE DWG NO C 614131-106	THIRD ANGLE PROJECTION	SHEET 1