

PRODUCT INFORMATION PACKET



Model No: RA1024
Catalog No: RA1024
Fan Coil & Air Conditioner Motor, 1/4 HP, 1 Ph, 60 Hz, 208-230 V, 1625 RPM, 3 Speed, 48 Frame,
SEMI ENCLOSED



Regal and Century are trademarks of Regal Rexnord Corporation or one of its affiliated companies.
©2022 Regal Rexnord Corporation, All Rights Reserved. MC017097E





Nameplate Specifications

Output HP	1/4 Hp	Output KW	0.19 kW
Frequency	60 Hz	Voltage	208-230 V
Current	1.9 A	Speed	1625 rpm
Service Factor	1	Phase	1
Duty	Air Over	Insulation Class	A
Frame	48Y	Enclosure	Semi Enclosed
Thermal Protection	Automatic	Ambient Temperature	40 °C
UL	Recognized	CSA	Y
CE	N	Number of Speeds	3

Technical Specifications

Electrical Type	Permanent Split Capacitor	Starting Method	Across The Line
Poles	4	Rotation	Counterclockwise Lead End
Mounting	Resilient Ring/Extended Studs	Motor Orientation	Horizontal
Drive End Bearing	Sleeve	Opp Drive End Bearing	Sleeve
Frame Material	Rolled Steel	Shaft Type	Flat
Overall Length	20.00 in	Frame Length	3.75 in
Shaft Diameter	0.500 in	Shaft Extension	7.64 X .5 X 8.0 in
Outline Drawing	F48SG4L5-S01	Connection Drawing	614131-106

This is an uncontrolled document once printed or downloaded and is subject to change without notice. Date Created:11/29/2022

4

3

2

1

GENERAL INFORMATION:

SHAFT RUNOUT: .001[.03] T.I.R. PER INCH LENGTH OF EXTENSION.

END PLAY: .010[.25] TO .063[1.60]

BEARINGS: SLEEVE

MOUNTING POSITION: HORIZONTAL

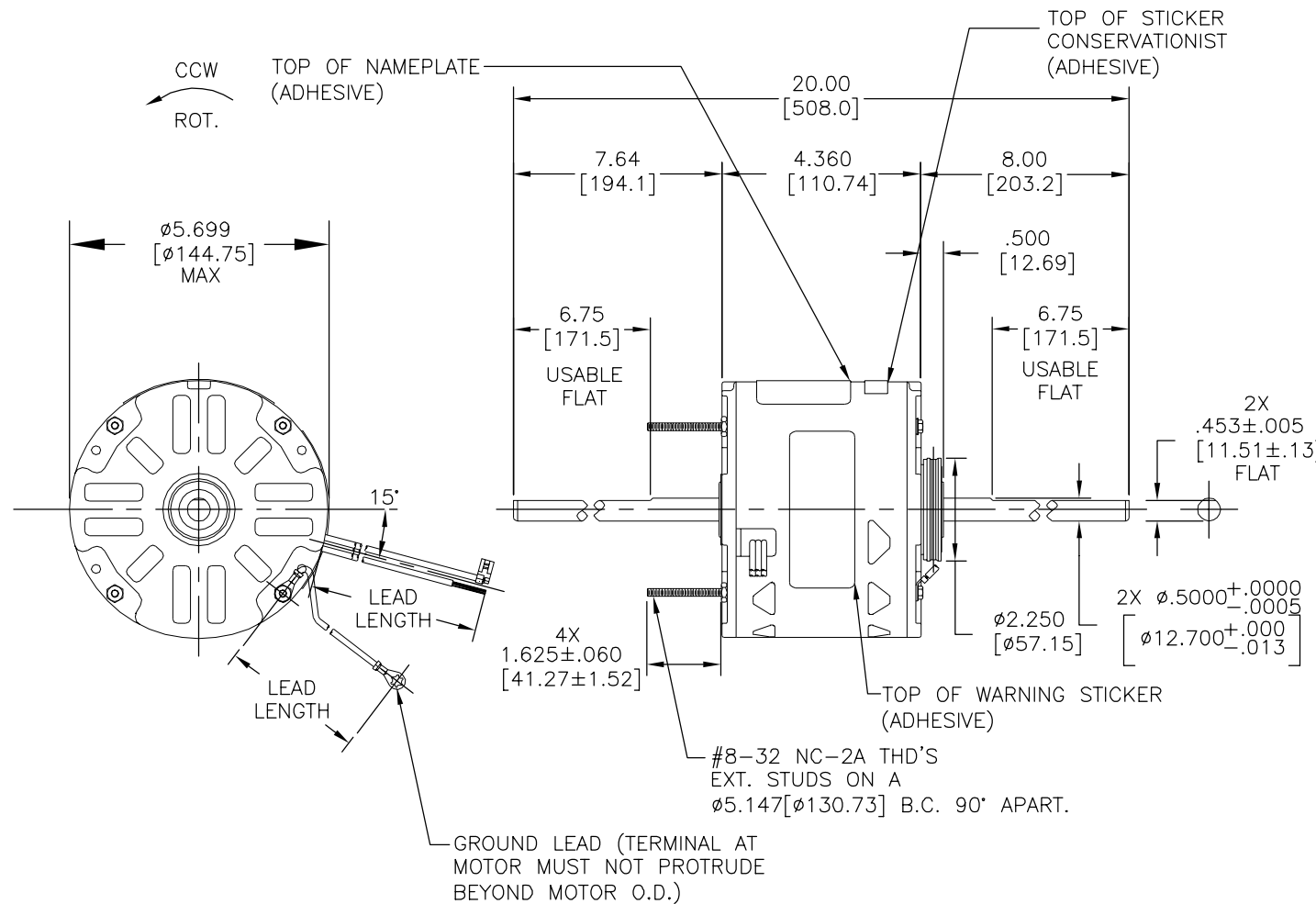
ELECTRICAL DATA:

OVERLOAD PROTECTOR: AUTOMATIC RESET (T.I. 7AM 032)

LEADS: NO. 18 GA., .06[1.5] THK., 105°C PVC INSUL.

GROUND LEAD: NO. 18 GA., .03[.8] THK., (GREEN) INSUL.

REV	ECO	REV BY	DATE	APPD	DATE
B	0025575	A. ARREOLA	05-01-2012	D. BALDERRAMA	05-01-2012



SEE NOTE #2

NAMEPLATE DATA	EXTERNAL CONNECTION DIAGRAM
MODEL NO.: F48SG4L5 CUST. P/N: [] HP: 1/4 ROT: CCWLE RPM: 1625/3 SPD. TYPE: UF FRAME: 48Y VOLTS: 208-230 PH: 1 AMPS: 1.9 (2.5 MAX) HZ: 60/50 INS: A AMB: 40 °C DUTY: AIR OVER CAP.: 5 MFD/370V ENCL: SEMI-ENCL CSA LOGO UL LOGO THERMALLY PROTECTED	BROWN BRN/WHT WHITE BLACK BLUE RED HI MED LO LINE SEP. CAP. 614131-106

GREEN (GRD)	29.0/31.0[737/787]	#10 EYELET
BROWN/WHITE	35.0/37.0[889/940]	.25[6.4] FLAG
BROWN	35.0/37.0[889/940]	.25[6.4] FLAG
WHITE	35.0/37.0[889/940]	.60[15.2] SKIN
BLACK	35.0/37.0[889/940]	.60[15.2] SKIN
BLUE	35.0/37.0[889/940]	.60[15.2] SKIN
RED	35.0/37.0[889/940]	.60[15.2] SKIN

COLOR	LENGTH	TERMINAL OR STRIP LENGTH
LEAD DATA		

- NOTE:
- 615059-001 RESILIENT MOUNTING KIT TO BE PACKED WITH MOTOR
 - DISTRIBUTION PART NUMBER: RA1024
GRAINGER PART NUMBER: 4MB11

MAIN FR.-OLE	SEMI-ENCLOSED
END FR.-OLE	OPEN
MAIN FR.-OLE	SEMI-ENCLOSED
END FR.-OLE	OPEN
ENCLOSURE	

CUST.	DISTRIBUTION SERVICE
-------	----------------------

PERFORMANCE CURVE NO.	TORQUE @1050 RPM (25°C)	APPROVED SAMPLE
C23001	19.0 OZ. FT.	EX11255

UL COMPONENT		CSA	
FILE #	CCN #	FILE #	CLASS #
E46412	PRGY2	LR43341	4211-01

GEOMETRIC CHARACTERISTICS & SYMBOLS
 □ FLATNESS
 — STRAIGHTNESS
 < ANGLARITY
 ⊥ PERPENDICULARITY (SQUARENESS)
 // PARALLELISM
 ○ ROUNDNESS (CIRCULARITY)
 ∅ CYLINDRICITY
 △ PROFILE OF ANY SURFACE
 ∩ PROFILE OF ANY LINE
 ↗ RUNOUT
 ⊕ TRUE POSITION
 ⊙ CONCENTRICITY
 = SYMMETRY
 ASME Y14.5M 1994

REGAL-BELOIT CORPORATION (RBC) PROVIDES TECHNICAL ASSISTANCE TO OUR CUSTOMERS IN SEVERAL AREAS. SINCE RBC DOES NOT RECEIVE ALL DATA CONCERNING THE USE AND APPLICATION OF THE MOTOR, THE SUITABILITY OF THE MOTOR FOR THE APPLICATION MUST BE DETERMINED BY THE CUSTOMER.

DIMENSIONS WITHOUT TOLERANCES ARE FOR REFERENCE ONLY.

DR BY: TH 02-18-2011
 APPD: BS 02-18-2011
 THIRD ANGLE PROJECTION
 EDS DATE 11-11-2011
 FORMAT REV G
 CONFIDENTIAL: THIS DRAWING AND ITS INFORMATION ARE THE EXCLUSIVE AND CONFIDENTIAL PROPERTY OF REGAL-BELOIT CORPORATION AND ARE NOT TO BE DISCLOSED, DUPLICATED, DISTRIBUTED OR OTHERWISE USED WITHOUT THE WRITTEN CONSENT OF REGAL-BELOIT CORPORATION. -ALL RIGHTS RESERVED.



DESCRIPTION	
MODEL-RFHP-48FR OUTLINE	
SIZE C	DWG NO F48SG4L5
SCALE NONE	SHEET 1

4

3

2

1

4

3

2

1

INFORMACION GENERAL:

OSCILACION DE FLECHA: .001[.03] L.T.I. POR EXTENSION DE LARGO DE PULGADO

JUEGO AXIAL: .010[.25] A .063[1.60]

BALEROS: MANGA

POSICION DE MONTAJE: HORIZONTAL

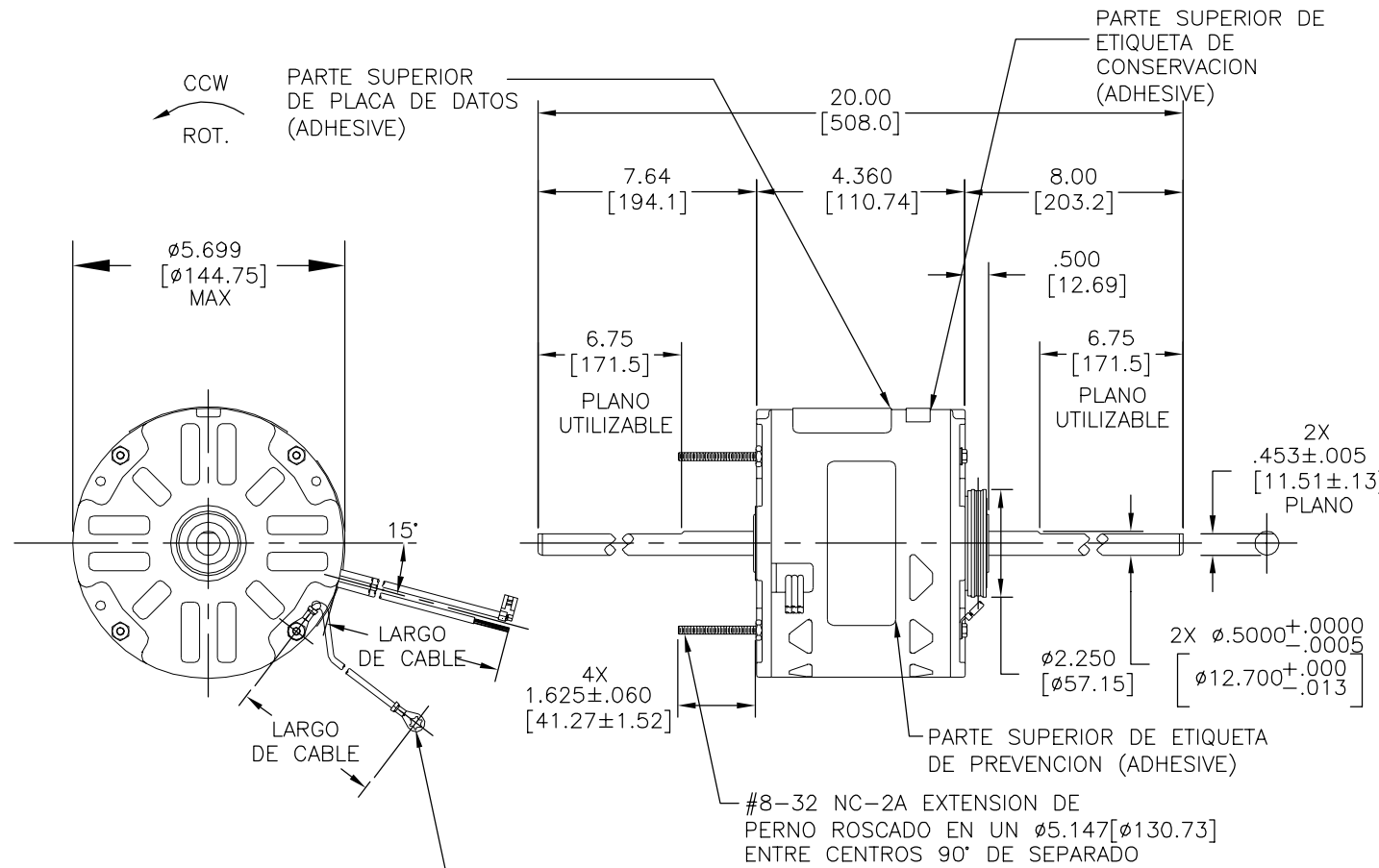
INFORMACION ELECTRICA:

PROTECTOR DE SOBRECARGA: REINICIO AUTOMATICO (T.I. 7AM 032)

CABLES: NO. 18 GA., .06[1.5] GROSOR., 105°C PVC AISLANTE

CABLE DE TIERRA: NO. 18 GA., .03[.8] GROSOR., (VERDE) AISLANTE

REVISION:	ECO	REVISADO POR:	FECHA:	APROBADO POR:	FECHA:
B	0025575	A. ARREOLA	05-01-2012	D. BALDERRAMA	05-01-2012

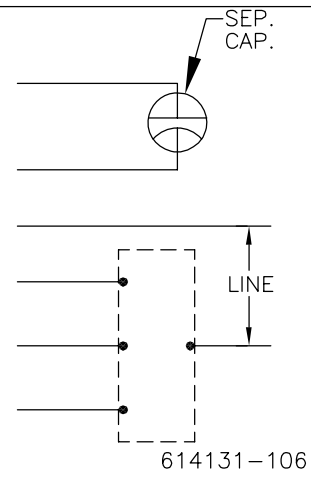


VER NOTA #2

INFORMACION DE PLACA DE DATOS

DIAGRAMA DE CONECCION EXTERNA

MODEL NO.: F48SG4L5
 CUST. P/N: []
 HP: 1/4
 ROT: CCWLE
 RPM: 1625/3 SPD.
 TYPE: UF
 FRAME: 48Y
 VOLTS: 208-230
 PH: 1
 AMPS: 1.9 (2.5 MAX)
 HZ: 60/50
 INS: A
 AMB: 40 °C
 DUTY: AIR OVER
 CAP.: 5 MFD/370V
 ENCL: SEMI-ENCL
 CSA LOGO
 UL LOGO
 THERMALLY PROTECTED



614131-106

VERDE (TIERRA)	29.0/31.0[737/787]	#10 OJAL
CAFE/BLANCO	35.0/37.0[889/940]	.25[6.4] BANDERA
CAFE	35.0/37.0[889/940]	.25[6.4] BANDERA
BLANCO	35.0/37.0[889/940]	.60[15.2] FORRO
NEGRO	35.0/37.0[889/940]	.60[15.2] FORRO
AZUL	35.0/37.0[889/940]	.60[15.2] FORRO
ROJO	35.0/37.0[889/940]	.60[15.2] FORRO

COLOR	LARGO	LARGO DE TIRA O TERMINAL
LEAD DATA		

- NOTA:
- 615059-001 JUEGO DE MONTAJE ELASTICO DEBERA SER EMPACADO JUNTO CON EL MOTOR
 - NUMERO DE PARTE DE DISTRIBUCION: RA1024
 NUMERO DE PARTE GRAINGER: 4MB11

CARCAZA-L.O.C.	SEMI-CERRADO
TAPA-L.O.C.	ABIERTO
CARCAZA-L.O.C.	SEMI-CERRADO
TAPA-L.O.C.	ABIERTO
ENCERRADO	

SERVICIO DE DISTRIBUCION

NO. CURVA DE DESEMPEÑO	TORQUE @1050 RPM (25°C)	MUESTRA APROVADA
C23001	19.0 OZ. FT.	EX11255

UL COMPONENTE			
#ARCHIVO	CCN #	#ARCHIVO	CLASE #
E46412	PRGY2	LR43341	4211-01

CARACTERISTICAS DE GEOMETRIA Y SIMBOLOS
 ▽ PLANICIDAD
 — RECTITUD
 < ANGULARIDAD
 ⊥ PERPENDICULARIDAD (A ESCUADRA)
 // PARALELISMO
 ○ REDONDEZ (CIRCULARIDAD)
 ∅ CILINDRICIDAD
 △ PERFIL DE CUALQUIER SUPERFICIE
 ∩ PERFIL DE CUALQUIER LINEA
 ↗ VARIACION
 ⊕ POSICION REAL
 ⊙ CONCENTRICIDAD
 = SIMETRIA
 ASME Y14.5M 1994

REGAL-BELOIT CORPORATION (RBC) PROVEE ASISTENCIA TECNICA A NUESTROS CLIENTES EN VARIAS AREAS. DESDE QUE RBC NO RECIBE TODOS LOS DATOS EN RELACION AL USO Y A LA APLICACION DEL MOTOR, LA APLICACION ADECUADA DEL MOTOR DEBE SER DETERMINADA POR EL CLIENTE.

DIMENSIONES SIN TOLERANCIA SON DE REFERENCIA SOLAMENTE

DIBUJADO POR:	TH	02-18-2011
APROBADO POR:	BS	02-18-2011
TERCER ANGULO DE PROYECCION	⊕	FECHA EDS: 11-11-2011 REV. FORMATO: G
CONFIDENCIAL: ESTE DIBUJO Y SU INFORMACION SON PROPIEDAD DE USO EXCLUSIVO Y CONFIDENCIAL DE REGAL-BELOIT CORPORATION. Y NO DEBERAN SER REVELADOS, DUPLICADOS, DISTRIBUIDOS O USARSE DE OTRA MANERA SIN EL CONSENTIMIENTO ESCRITO DE REGAL-BELOIT CORPORATION. -TODOS LOS DERECHOS RESERVADOS.		



DESCRIPCION:	
MODEL-RFHP-48FR OUTLINE	
TAMAÑO: C	NUMERO DE DIBUJO: F48SG4L5
ESCALA: NONE	HOJA: 1

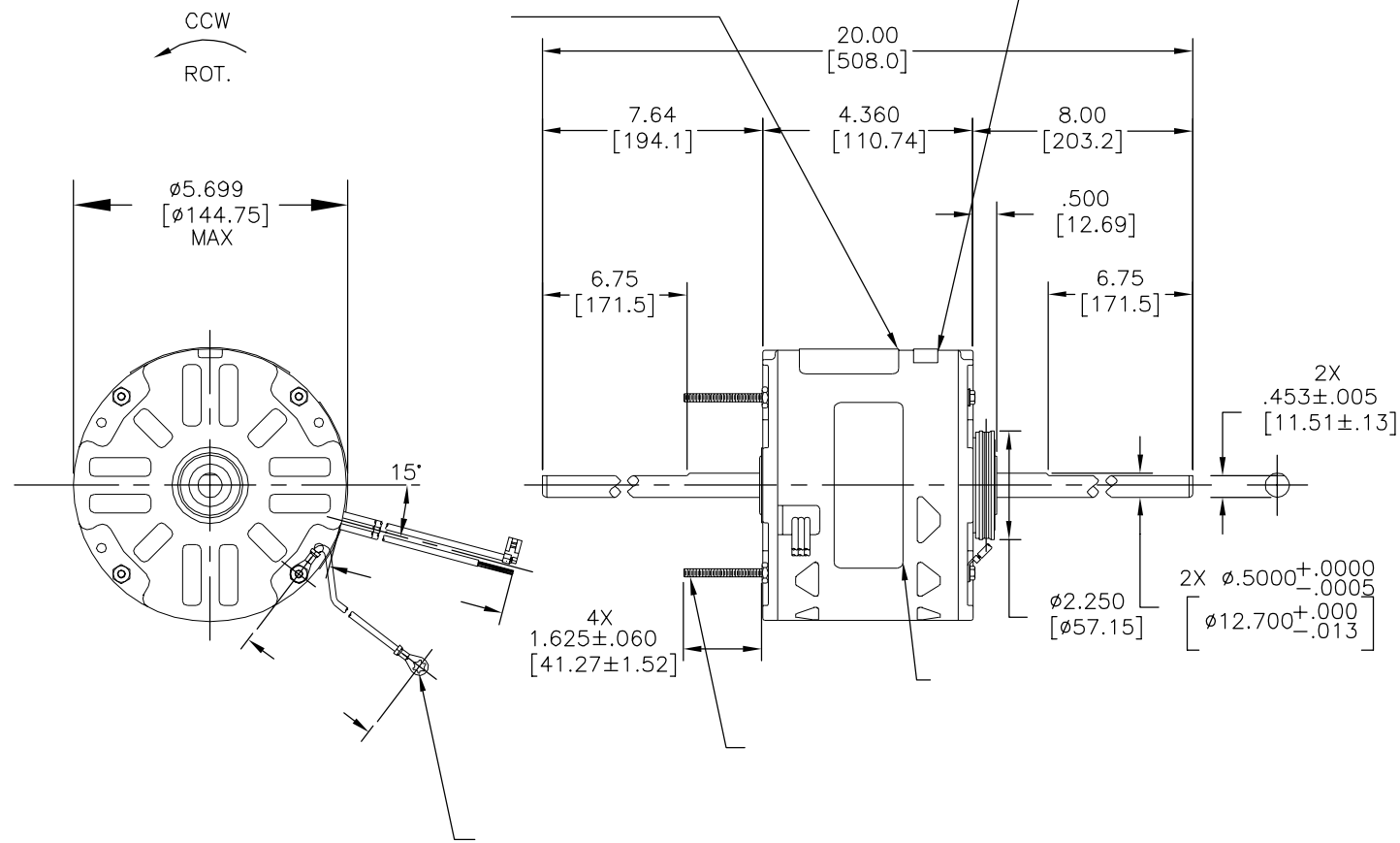
4

3

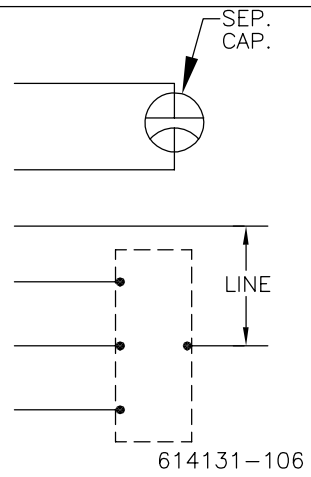
2

1

版本	ECO	编制	日期	批准	日期
B	0025575	A. ARREOLA	05-01-2012	D. BALDERRAMA	05-01-2012



MODEL NO.: F48SG4L5
 CUST. P/N: []
 HP: 1/4
 ROT: CCWLE
 RPM: 1625/3 SPD.
 TYPE: UF
 FRAME: 48Y
 VOLTS: 208-230
 PH: 1
 AMPS: 1.9 (2.5 MAX)
 HZ: 60/50
 INS: A
 AMB: 40 °C
 DUTY: AIR OVER
 CAP.: 5 MFD/370V
 ENCL: SEMI-ENCL
 CSA LOGO
 UL LOGO
 THERMALLY PROTECTED



	29.0/31.0[737/787]	
	35.0/37.0[889/940]	
	35.0/37.0[889/940]	
	35.0/37.0[889/940]	
	35.0/37.0[889/940]	
	35.0/37.0[889/940]	
	35.0/37.0[889/940]	

--	--

C23001	19.0 OZ. FT.	EX11255
--------	--------------	---------

E46412	PRGY2	LR43341	4211-01
--------	-------	---------	---------

- 形位公差
- 平面度
- 直线度
- ∠ 倾斜度
- ⊥ 垂直度
- // 平行度
- 圆度
- ⊘ 圆柱度
- △ 面轮廓度
- ∇ 线轮廓度
- ↗ 圆跳动
- ⊕ 位置度
- ⊙ 同轴度
- ≡ 对称度

ASME Y14.5M 1994

REGAL-BELOIT CORPORATION (RBC) 在个别领域为客户提供技术支持。鉴于RBC未收到任何涉及电机使用和应用环境的数据，电机的适用性由客户自己决定。

未注公差尺寸仅供参考。

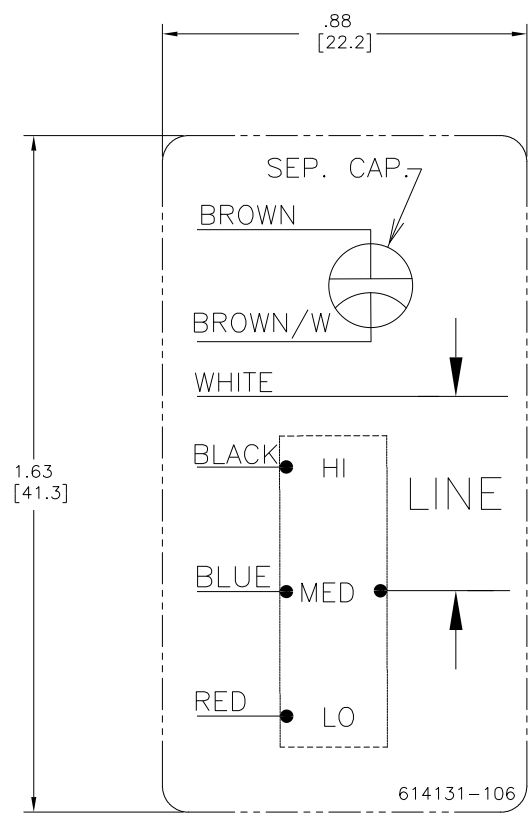
绘图:	TH	02-18-2011
批准:	BS	02-18-2011
第三角投影		图纸格式发布日期 11-11-2011 图纸格式版本 G
机密: 本图纸及相关信息所有权归REGAL-BELOIT CORPORATION。未经REGAL-BELOIT CORPORATION书面授权, 不得泄露、复制或传播或作其他用途。一版权所有		

REGAL-BELOIT CORPORATION

名称: MODEL-RFHP-48FR OUTLINE

图幅: C 图号: F48SG4L5

比例: NONE 页号: 1



- NOTES:
1. FOR USE WITH 614129 OR 2513020-001 NAMEPLATE BLANKS
 2. _____ INDICATES DIMENSION LIMITS

DRAWING REVISION D	REVISION BY J. RUPERT	DATE 09-08-2022	TOLERANCES UNLESS OTHERWISE SPECIFIED DEC. INCH mm ANGLE .X ±0.1 [±2.5] ±0.5° .XX ±0.02 [±0.51] .XXX ±0.005 [±0.127] XXXX ±0.0005 [±0.0127]	DRAWN BY: PZ	Regal Beloit America, Inc.
ECO NMR-0216370	APPROVED BY J. RUPERT	DATE 09-08-2022	REMOVED BURRS & BREAK SHARP EDGES .003/.015 [0.076/.381] X 45° CORNER FILLETS R.02 [51] MACHINED SURFACES .125/ mm 32/ INCH mm 32/ mm SHOWN IN [BRACKETS]	DATE: 04-12-2011	
ECO DESCRIPTION REVISED FOR UP ISSUE			APPROVED BY: Tiger Wong	DATE: 04-12-2011	DESCRIPTION CONN-DIAGRAM NAMEPLATE
<small> COPYRIGHT REGAL BELOIT AMERICA, INC. ALL RIGHTS RESERVED. PROPRIETARY AND CONFIDENTIAL INFORMATION - THIS DOCUMENT IS THE PROPERTY OF REGAL BELOIT AMERICA, INC. (OWNER) AND CONTAINS OWNER'S PROPRIETARY INFORMATION. ANY REPRODUCTION OR OTHER FIRM RECEIVING IT IS DENIED. BY RECEIVING IT, TO AGREE THAT IT, AND/OR ANY PART OF IT, SHALL NOT BE DISCLOSED TO ANY PERSON, CORPORATION OR OTHER ENTITY, DUPLICATED, AND/OR USED, EXCEPT AS EXPRESSLY APPROVED IN WRITING IN ADVANCE BY OWNER. THIS DOCUMENT SHALL BE RETURNED TO OWNER UPON REQUEST. IT MAY BE SUBJECT TO CERTAIN RESTRICTIONS UNDER APPLICABLE EXPORT CONTROL LAWS AND REGULATIONS. </small>			REFERENCE	MATERIAL	PROCESS/FINISH
			THIRD ANGLE PROJECTION	SIZE DWG NO C 614131-106	SHEET 1