

# PRODUCT INFORMATION PACKET



Model No: OYK1028

Catalog No: OYK1028

OEM Replacement Motor, 1/4 HP, 1 Ph, 60/50 Hz, 208-230 V, 850 RPM, 1 Speed, 48 Frame, TEAO



Regal and Century are trademarks of Regal Rexnord Corporation or one of its affiliated companies.  
©2022 Regal Rexnord Corporation, All Rights Reserved. MC017097E





**Nameplate Specifications**

Output HP	1/4 Hp	Output KW	0.19 kW
Frequency	50 Hz	Voltage	208-230 V
Current	1.4 A	Speed	850 rpm
Service Factor	1	Phase	1
Duty	Air Over	Insulation Class	B
Frame	48Y	Enclosure	Totally Enclosed Air Over
Thermal Protection	Automatic	Ambient Temperature	40 °C
UL	Recognized	CSA	Y
CE	N	Number of Speeds	1

**Technical Specifications**

Electrical Type	Permanent Split Capacitor	Starting Method	Across The Line
Poles	8	Rotation	Clockwise Lead End
Mounting	Extended Studs	Motor Orientation	Vertical Shaft Down
Drive End Bearing	Sleeve	Opp Drive End Bearing	Sleeve
Frame Material	Rolled Steel	Shaft Type	Flat
Overall Length	7.98 in	Frame Length	3.81 in
Shaft Diameter	0.500 in	Shaft Extension	3.2 in
Connection Drawing	614131-030	Outline Drawing	OYK1028-S01

This is an uncontrolled document once printed or downloaded and is subject to change without notice. Date Created:11/28/2022

GENERAL INFORMATION:

SHAFT RUNOUT: .001[.03] T.I.R. PER INCH LENGTH OF EXTENSION.

BEARINGS: BALL
MOUNTING POSITION: VERTICAL SHAFT DOWN

ELECTRICAL DATA:

OVERLOAD PROTECTOR: AUTOMATIC RESET (SENSATA 7AM 304)

LEADS: NO. 18 GA., .06[1.5] THK., PVC 105°C INSUL.

GROUND LEAD: NO. 18 GA., .03[.8] THK., (GREEN) INSUL.

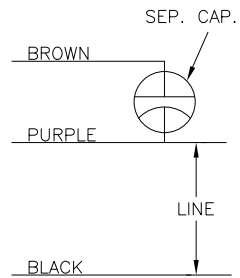
NOTES: 1. DISTRIBUTION CUST. P/N: OYK1028 GRAINGER: CUST. P/N: 4UY50

SEE NOTE 1

NAMEPLATE DATA:

EXTERNAL CONNECTION DIAGRAM

MODEL: F48B46A01
CUST. P/N:
HP: 1/4
ROT: CWLE
RPM: 850
TYPE: FLL
FRAME: 48Y
VOLTS: 208/230
PH: 1
AMPS: 1.4
HZ: 50/60
INS: B
AMB: 40°C
DUTY: AIR OVER
CAP.: 5 MFD/370 V
ENCL: ENCLOSED
UL LOGO
CSA LOGO
THERMALLY PROTECTED TYPE C



614131-030

Table with columns: PERFORMANCE CURVE NO., TORQUE @ 825 RPM (25°C), APPROVED SAMPLE, UL COMPONENT (FILE #, GUIDE #), CSA (FILE #, GUIDE #)

Table with columns: COLOR, LENGTH, TERMINAL OR STRIP LENGTH. Includes rows for GREEN (GRD), BROWN, BLACK, PURPLE, and LEAD DATA.

Revision table with columns: REV, ECO, REV BY, DATE, APPD, DATE. Row 1: J, NMR-0216635, TRSK, 09-27-2022, KEP, 09-27-2022

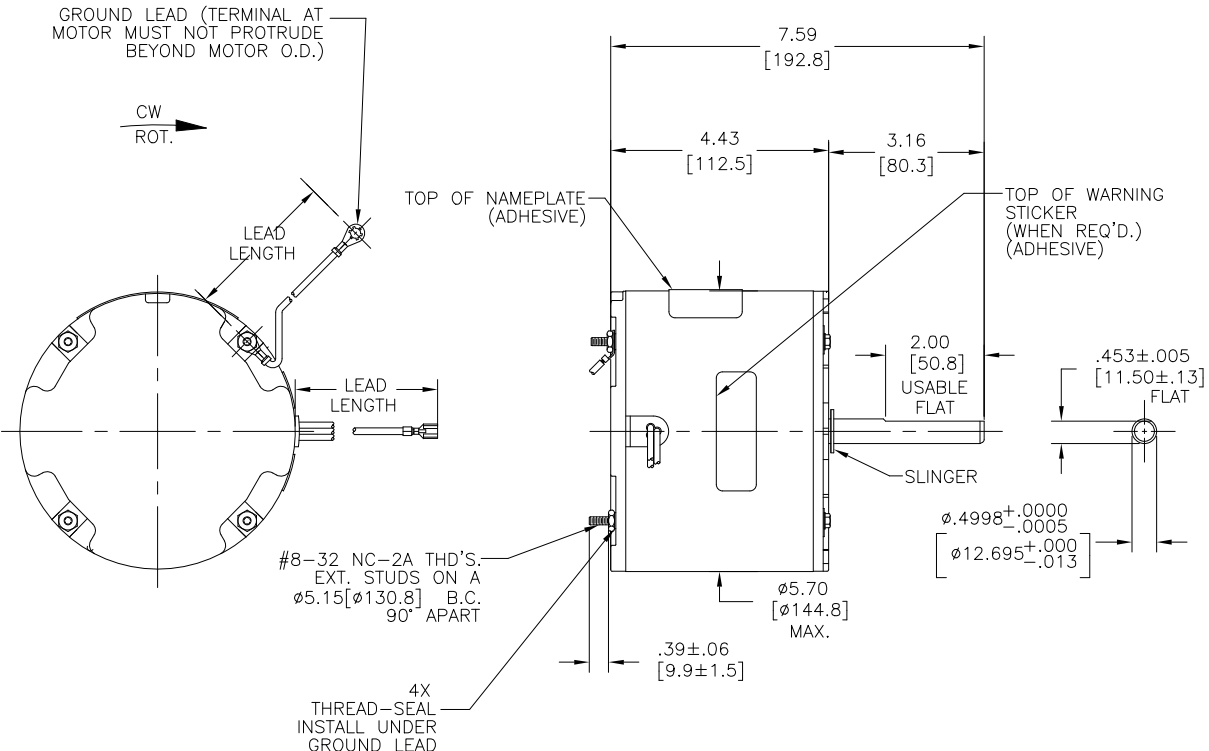


Table with columns: MAIN FRAME, END FRAME, LE, ENCLOSED, DRAIN HOLES.

Table with columns: CUST., DISTRIBUTION SERVICE.

Table with columns: GEOMETRIC CHARACTERISTICS & SYMBOLS (FLATNESS, STRAIGHTNESS, etc.), REGAL-BELOIT CORPORATION (RBC) PROVIDES TECHNICAL ASSISTANCE TO OUR CUSTOMERS...

REGAL-BELOIT CORPORATION (RBC) PROVIDES TECHNICAL ASSISTANCE TO OUR CUSTOMERS IN SEVERAL AREAS. SINCE RBC DOES NOT RECEIVE ALL DATA CONCERNING THE USE AND APPLICATION OF THE MOTOR...

Table with columns: DR BY: RUPERT, APPD: TPR, EDS DATE: 11-11-2011, CONFIDENTIAL: THIS DRAWING AND ITS INFORMATION ARE THE EXCLUSIVE AND CONFIDENTIAL PROPERTY OF REGAL-BELOIT CORPORATION...

Table with columns: REGAL-BELOIT CORPORATION, DESCRIPTION: MODEL-RFHP-48FR OUTLINE, SIZE: C, DWG NO: OYK1028, SCALE: NONE, SHEET: 1

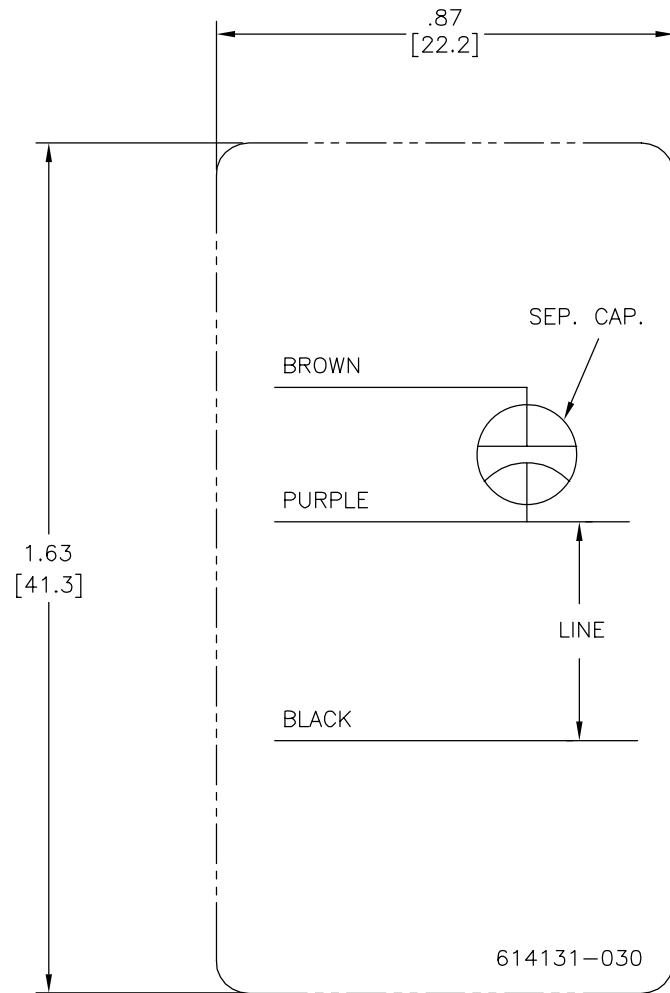
4

3

2

1

REV	ECO	REV BY	DATE	APPD	DATE
B	0019812	YL	04-08-2011	CZ	04-08-2011



NOTES:

1. FOR USE WITH 614129 OR 2513020-001 NAMEPLATE BLANKS;
2. - - - - - INDICATES DIMENSION LIMITS

<p>GEOMETRIC CHARACTERISTICS &amp; SYMBOLS</p> <p>▭ FLATNESS</p> <p>- STRAIGHTNESS</p> <p>∠ ANGULARITY</p> <p>⊥ PERPENDICULARITY (SQUARENESS)</p> <p>// PARALLELISM</p> <p>○ ROUNDNESS (CIRCULARITY)</p> <p>⊘ CYLINDRICITY</p> <p>△ PROFILE OF ANY SURFACE</p> <p>∩ PROFILE OF ANY LINE</p> <p>↗ RUNOUT</p> <p>⊕ TRUE POSITION</p> <p>◎ CONCENTRICITY</p> <p>≡ SYMMETRY</p>
---

<p>UNLESS OTHERWISE SPECIFIED DIM. TOLERANCES ARE AS FOLLOWS:</p> <p>INCH X XX XXX XXXX</p> <p>mm ±0.5 ±0.13 ±0.013</p> <p>ANG. ±.50 DEG</p> <p>REMOVE BURRS &amp; BREAK SHARP EDGES:</p> <p>INCH .003-.015 mm 0.1-0.4</p> <p>CORNER FILLETS TO:</p> <p>INCH .020 mm 0.5</p> <p>MACHINE SURFACES:</p> <p>INCH 125 mm 3.2</p> <p>METRIC DIMS. SHOWN IN [BRACKETS]</p>
--

DR BY:	YL	04-08-2011
APPD:	CZ	04-08-2011
THIRD ANGLE PROJECTION		EDS DATE 02-22-2008 FORMAT REV F
<p>CONFIDENTIAL: THIS DRAWING AND ITS INFORMATION ARE THE EXCLUSIVE AND CONFIDENTIAL PROPERTY OF A.O. SMITH CORP. AND ARE NOT TO BE DISCLOSED, DUPLICATED, DISTRIBUTED OR OTHERWISE USED WITHOUT THE WRITTEN CONSENT OF A.O. SMITH CORP.</p> <p>-ALL RIGHTS RESERVED. ASME Y14.5M 1994</p>		

<p><b>ELECTRICAL PRODUCTS COMPANY</b></p> <p><small>A DIVISION OF A. O. SMITH CORPORATION</small></p>	
DESCRIPTION	
CONN DIAGRAM-NAMEPLATE	
SIZE	DWG NO
C	614131-030
SCALE	SHEET
NONE	1

4

3

2

1

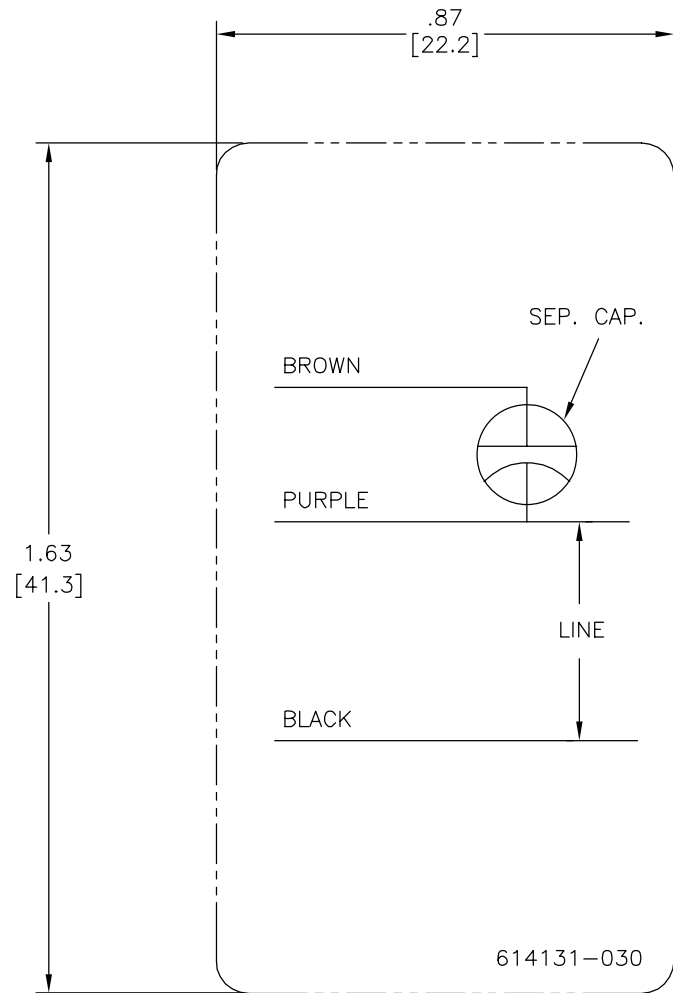
4

3

2

1

REVISION:	ECO	REVISADO POR:	FECHA:	APROBADO POR:	FECHA:
B	0019812	YL	04-08-2011	CZ	04-08-2011



NOTES:

1. FOR USE WITH 614129 OR 2513020-001 NAMEPLATE BLANKS;
2. ----- INDICATES DIMENSION LIMITS

CARACTERISTICAS DE GEOMETRIA Y SIMBOLOS ▯ PLANICIDAD — RECTITUD < ANGULARIDAD ⊥ PERPENDICULARIDAD (A ESCUADRA) // PARALELISMO ○ REDONDEZ (CIRCULARIDAD) ∅ CILINDRICIDAD △ PERFIL DE CUALQUIER SUPERFICIE ∩ PERFIL DE CUALQUIER LINEA ↗ VARIACION ⊕ POSICION REAL ⊙ CONCENTRICIDAD = SIMETRIA
---

DIBUJADO POR:	YL	04-08-2011
APROBADO POR:	CZ	04-08-2011
TERCER ANGULO DE PROYECCION		FECHA EDS: 02-22-2008 REV. FORMATO: F
CONFIDENCIAL: ESTE DIBUJO Y SU INFORMACION SON PROPIEDAD DE USO EXCLUSIVO Y CONFIDENCIAL DE A.O.SMITH CORP. Y NO DEBERAN SER REVELADOS, DUPLICADOS, DISTRIBUIDOS O USARSE DE OTRA MANERA SIN EL CONSENTIMIENTO ESCRITO DE A.O. SMITH CORP. -TODOS LOS DERECHOS RESERVADOS.ASME Y14.5M 1994		

<b>ELECTRICAL PRODUCTS COMPANY</b> <small>INNOVATION HAS A NAME. A DIVISION OF A. O. SMITH CORPORATION</small>
DESCRIPCION: CONN DIAGRAM-NAMEPLATE
TAMAÑO: C      NUMERO DE DIBUJO: 614131-030
ESCALA: NONE      HOJA: 1

4

3

2

1

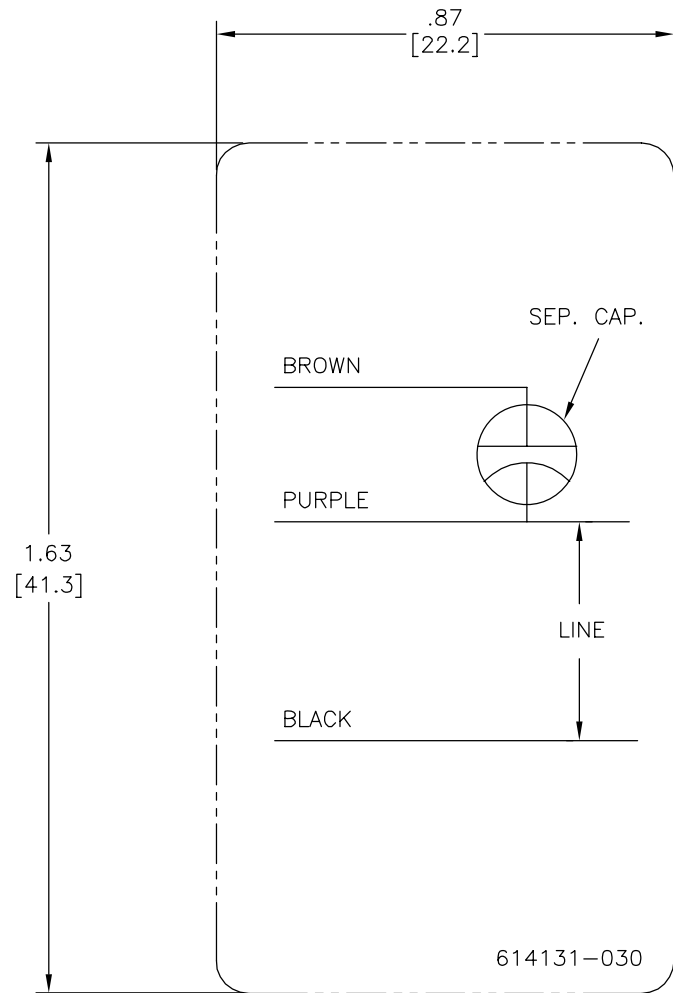
4

3

2

1

版本	ECO	编制	日期	批准	日期
B	0019812	YL	04-08-2011	CZ	04-08-2011



NOTES:

- FOR USE WITH 614129 OR 2513020-001 NAMEPLATE BLANKS;
- INDICATES DIMENSION LIMITS

形位公差
□ 平面度
— 直线度
∠ 倾斜度
⊥ 垂直度
// 平行度
○ 圆度
⊘ 圆柱度
△ 面轮廓度
∩ 线轮廓度
⊕ 圆跳动
⊙ 位置度
⊗ 同轴度
≡ 对称度

绘图:	YL	04-08-2011
批准:	CZ	04-08-2011
第三角投影		图纸格式发布日期 02-22-2008 图纸格式版本 F
机密: 本图纸及相关信息所有权归A. O. SMITH公司所有。 未经A. O. SMITH公司书面授权, 不得泄露、复制、传播或作 其他用途。--版权所有		
ASME Y14.5M 1994		

<b>ACSmith</b> Innovation has a name.		<b>ELECTRICAL PRODUCTS COMPANY</b> A DIVISION OF A. O. SMITH CORPORATION	
名称 CONN DIAGRAM-NAMEPLATE			
图幅	C	图号	614131-030
比例	NONE	页号	1

4

3

2

1

C30974  
Table #4

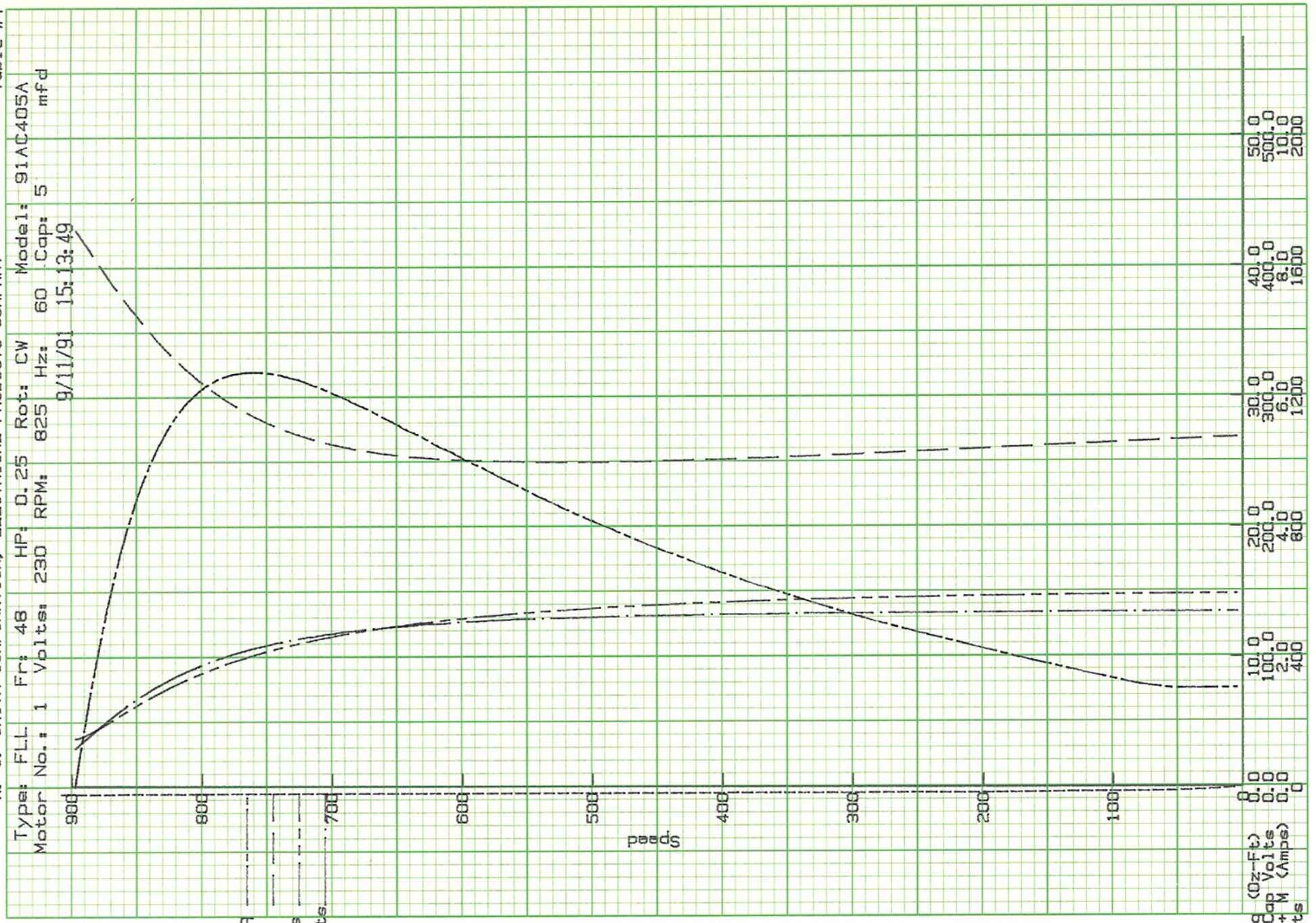
A. O. SMITH CORPORATION, ELECTRICAL PRODUCTS COMPANY

Type: FLL Fr: 48 HP: 0.25 Rot: CW Model: 91AC405A  
Motor No.: 1 Vbits: 230 RPM: 825 Hz: 60 Cap: 5 mfd  
9/11/91 15:13:49

C-91AC405A  
C30974

Torq  
V C  
Amps  
Watts

Torq (Oz-ft)  
Ph/Cap  
Volts  
Ln + M  
(Amps)  
Watts





## Specification & Rating Report

Item Number: **OYK1028**

Specification Number: **1**

Model Number: **F48B46A01**

Carton Label Model  
Number:

Customer Model  
Number:

Agency Type:

CE: **N**

CSA: **Y**

UL: **Y**

UL Explosion Proof Rating:

Sample Number:

Customer Specification  
Number:

Catalog Number: **OYK1028**

CE Number:

CSA Number: **NO**

UL Number: **NO**

Cubic Feet Per Minute:

F2 Assembly:

UPC Model Number:

UPC Catalog Number: **786674028716**

Nameplate Drive  
Bearing Type:

Nameplate Opposite  
Drive Bearing Type:

Capacitor:

Capacitor Rating MFD: **5**

Control Code:

DC Design Number:

Form Factor:

Connection Diagram:

Lubrication Label  
Diagram:

Outline Diagram: **OYK1028-S01**

Label Drive Bearing **BALL**  
Type:

Label Opposite Drive **BALL**  
Bearing Type:

Capacitor Included: **N**

Capacitor Rating VAC: **370**

Design Status:

Features:

Installation Diagram:

Warning Label  
Diagram:

Outline Graphic: **033A**

Ambient Temperature: **40**

Insulation Class: **B**



## Specification & Rating Report

Protector: <b>AUTOMATIC</b>	Thermal Protection: <b>TYPE C</b>
Nameplate Overload:	Label Overload:
IP Code:	
Nameplate Enclosure: <b>TEAO</b>	Label Enclosure: <b>TEAO</b>
Frame Length: <b>3.812</b>	Frame Length UOM:
Frame Diameter:	Frame Diameter UOM:
Frame Size: <b>48Y</b>	
Frame Material: <b>ROLLED STEEL</b>	End Frame Material:
Operator Instruction Manual:	
Nameplate Mounting:	Label Mounting: <b>EXT STUDS</b>
Base Height:	Base Height UOM:
Ring Diameter:	RingDiameterUOM:
Nameplate:	Carton Label:
Nameplate Location <b>L</b> Format:	
Brake:	Tachometer:
Layer Quantity:	Pallet Quantity:
Phase: <b>1</b>	CurrentType:
DC Pole:	
Poles: <b>8</b>	
Speeds: <b>1</b>	
Duty: <b>AIR OVER</b>	
Shaft Diameter: <b>1/2</b>	Shaft Diameter UOM: <b>IN</b>
Shaft Extension: <b>3.2</b>	Shaft Extension UOM: <b>IN</b>
Shaft Material:	Rotation: <b>CWLE</b>
Shaft Type: <b>FLAT</b>	
Motor Type: <b>FLL</b>	
Motor Use:	
Nameplate 1:	
Nameplate 2:	
Nameplate Text 1:	



## Specification & Rating Report

---

Nameplate Text 2:

Nameplate Text 3:

Nameplate Text 4:

Label Text 1: **PERMANENT  
SPLIT  
CAPACITOR**

Label Text 2:

Label Text 3: **OEM DIRECT  
REPLACEMENT  
"YORK"**

Label Text 4:

Brand Line:

Vendor Line:

Motor Weight:

Motor Weight UOM:

Shipping Weight:

Shipping Weight UOM:

Armature Field  
Winding:

Core Length:

Core Length UOM:

Winding Code:

Winding Specification:

Nameplate Only  
Instructions:

Nameplate & Label  
Instructions:

Label Only  
Instructions:

## Specification & Rating Report



Rating Number: 1

Horsepower: **1/4**

Volts: **208-230**

Hertz: **50/60**

Field Current:

Revolutions Per **850**  
Minute:

Service Factor: **1.0**

Service Factor Amps:

NEMA Code:

NEMA Design:

Customer Nameplate Number:

Kilowatts:

Amps: **1.4**

Maximum Amps:

Armature Current:

Power Factor:

Service Factor Volts:

NEMA Nominal Efficiency:

NEMA Guaranteed Efficiency: