

PRODUCT INFORMATION PACKET



Model No: ORV4539

Catalog No: ORV4539

OEM Replacement Motor, 1/3 HP, 1 Ph, 60 Hz, 115 V, 1675 RPM, 2 Speed, 42 Frame, SEMI ENCLOSED



Regal and Century are trademarks of Regal Rexnord Corporation or one of its affiliated companies.

©2022 Regal Rexnord Corporation, All Rights Reserved. MC017097E





Nameplate Specifications

Output HP	1/3 Hp	Output KW	0.25 kW
Frequency	60 Hz	Voltage	115 V
Current	3.4 A	Speed	1675 rpm
Service Factor	1	Phase	1
Duty	Air Over	Insulation Class	B
Frame	42Y	Enclosure	Semi Enclosed
Thermal Protection	Automatic	Ambient Temperature	40 °C
UL	Recognized	CSA	Y
CE	N	Number of Speeds	2

Technical Specifications

Electrical Type	Permanent Split Capacitor	Starting Method	Across The Line
Poles	4	Rotation	Clockwise Lead End
Mounting	Lug	Motor Orientation	Horizontal
Drive End Bearing	Sleeve	Opp Drive End Bearing	Sleeve
Frame Material	Na	Shaft Type	Flat
Overall Length	14.50 in	Shaft Diameter	0.500 in
Shaft Extension	3.5 X.5 X7.1 in		
Outline Drawing	12044-002	Connection Drawing	622631

This is an uncontrolled document once printed or downloaded and is subject to change without notice. Date Created:11/28/2022

4 3 2 1

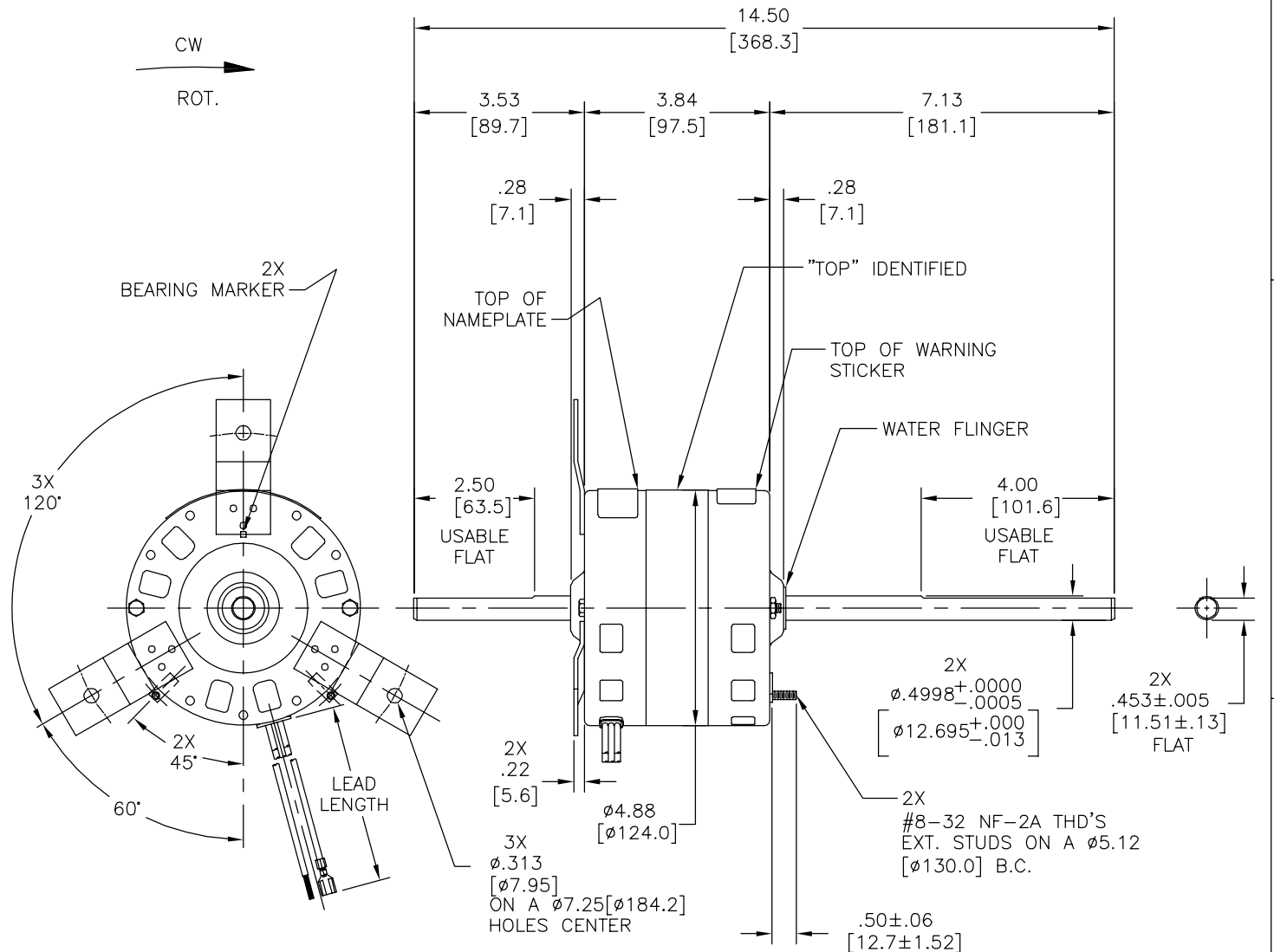
GENERAL INFORMATION:

SHAFT RUNOUT: .001[.03] T.I.R. PER INCH LENGTH OF EXTENSION.
 END PLAY: .010[.25] TO .063[1.60]
 BEARINGS: SLEEVE
 MOUNTING POSITION: HORIZONTAL

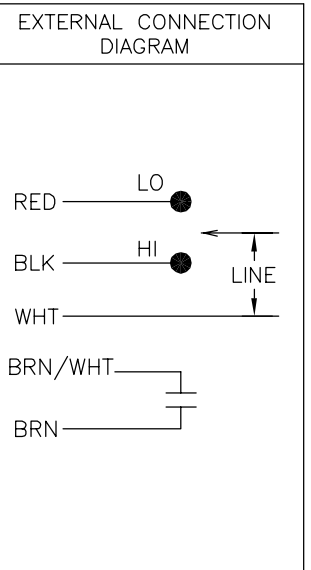
ELECTRICAL DATA:

OVERLOAD PROTECTOR: AUTOMATIC RESET (T.I. 7AM 304)
 LEADS: NO. 18 GA., .03[.8] THK., 105°C PVC INSUL.

REV	ECO	REV BY	DATE	APPD	DATE
D	0026397	G. ALVIDREZ	05-28-2012	G. ALVIDREZ	05-28-2012



NAMEPLATE DATA:
 MODEL NO.: F42B50A01
 CUST. P/N: ORV4539
 HP: 1/3
 ROT.: CWLE
 RPM: 1675/2 SPD.
 TYPE: FLL
 FRAME: 42Y
 VOLTS: 115
 PH: 1
 AMPS: 3.4
 HZ: 60
 INS.: B
 AMB.: 40° C
 DUTY: AIR OVER
 CAP.: 7.5 MFD/370 V
 ENCL: SEMI-ENCL.
 UL LOGO
 CSA LOGO
 THERMALLY PROTECTED TYPE C



COLOR	LENGTH	TERMINAL OR STRIP LENGTH
BROWN/WHITE	23.0/25.0 [584/635]	.25[6.4] FEMALE SPADE
BROWN	23.0/25.0 [584/635]	.25[6.4] FEMALE SPADE
RED	23.0/25.0 [584/635]	.50[12.7] SKIN
BLACK	23.0/25.0 [584/635]	.50[12.7] SKIN
WHITE	23.0/25.0 [584/635]	.50[12.7] SKIN

ENCLOSURE	
MAIN FRAME - OLE	SEMI-ENCL.
END FRAME - OLE	OPEN
MAIN FRAME - LE	SEMI-ENCL.
END FRAME - LE	OPEN

CUSTOMER	DISTRIBUTION SERVICE
----------	----------------------

PERFORMANCE CURVE NO.	TORQUE @ 1675 RPM (25°C)	APPROVED SAMPLE	UL COMPONENT		CSA	
			FILE #	CCN #	FILE #	CLASS #
C31038	15.8 OZ. FT.	93AC418A	E46412	PRGY2	LR43341	4211-01

GEOMETRIC CHARACTERISTICS & SYMBOLS
 ▮ FLATNESS
 - STRAIGHTNESS
 < ANGLULARITY
 ⊥ PERPENDICULARITY (SQUARENESS)
 // PARALLELISM
 ○ ROUNDNESS (CIRCULARITY)
 ⌀ CYLINDRICITY
 △ PROFILE OF ANY SURFACE
 ∩ PROFILE OF ANY LINE
 ↑ RUNOUT
 ⊕ TRUE POSITION
 ⊙ CONCENTRICITY
 = SYMMETRY
 ASME Y14.5M 1994

REGAL-BELOIT CORPORATION (RBC) PROVIDES TECHNICAL ASSISTANCE TO OUR CUSTOMERS IN SEVERAL AREAS. SINCE RBC DOES NOT RECEIVE ALL DATA CONCERNING THE USE AND APPLICATION OF THE MOTOR, THE SUITABILITY OF THE MOTOR FOR THE APPLICATION MUST BE DETERMINED BY THE CUSTOMER.
 DIMENSIONS WITHOUT TOLERANCES ARE FOR REFERENCE ONLY.

DR BY: J. RUPERT 04-21-1998
 APPD: T. RILEY 04-21-1998
 EDS DATE 11-11-2011
 FORMAT REV G

CONFIDENTIAL: THIS DRAWING AND ITS INFORMATION ARE THE EXCLUSIVE AND CONFIDENTIAL PROPERTY OF REGAL-BELOIT CORPORATION AND ARE NOT TO BE DISCLOSED, DUPLICATED, DISTRIBUTED OR OTHERWISE USED WITHOUT THE WRITTEN CONSENT OF REGAL-BELOIT CORPORATION. -ALL RIGHTS RESERVED.

REGAL-BELOIT CORPORATION

DESCRIPTION: MODEL-RFHP-42FR OUTLINE
 SIZE: C DWG NO: 12044-002
 SCALE: NONE SHEET 1

4 3 2 1

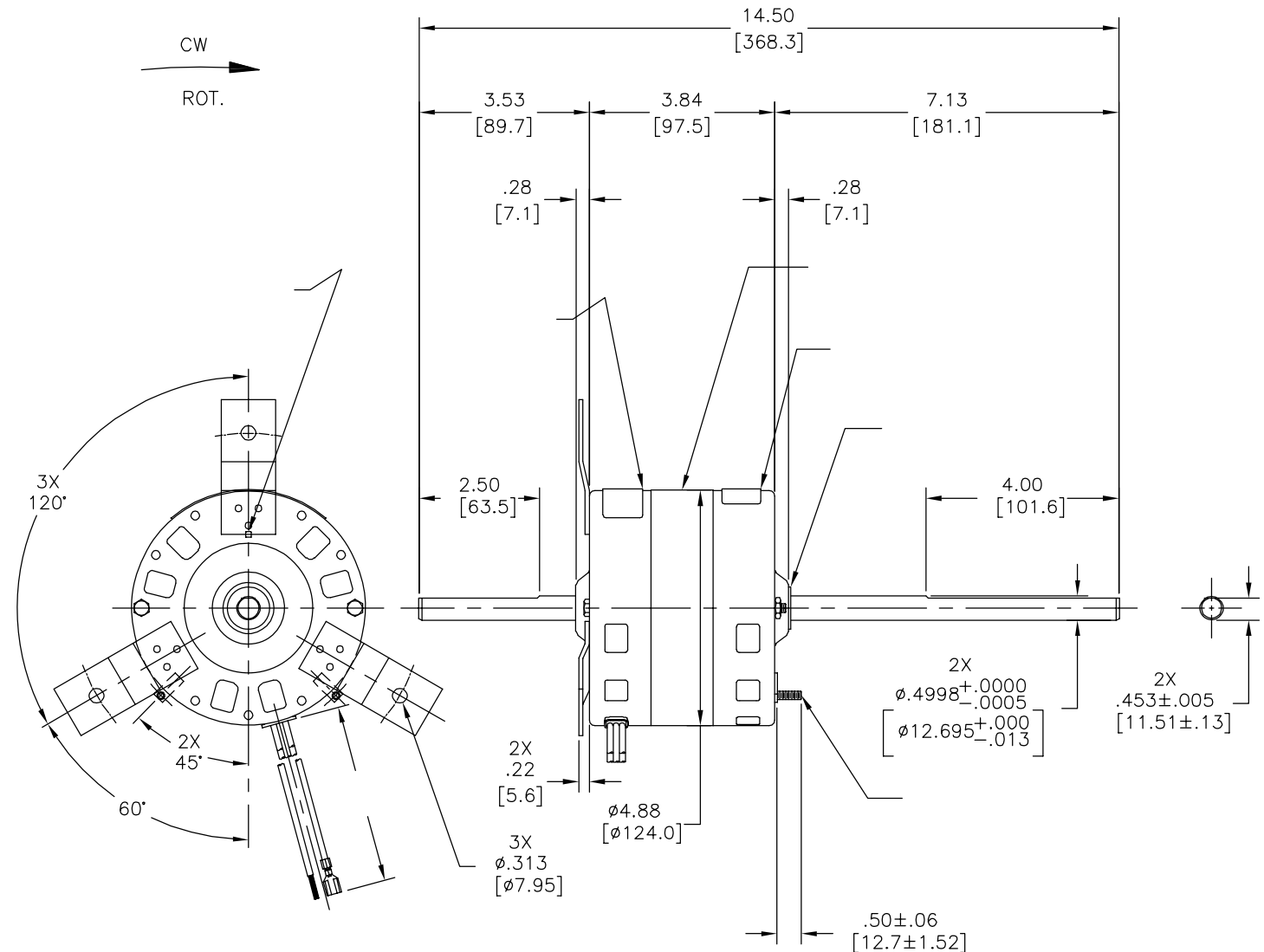
REVISION:	ECO	REVISADO POR:	FECHA:	APROBADO POR:	FECHA:
D	0026397	G. ALVIDREZ	05-28-2012	G. ALVIDREZ	05-28-2012

INFORMACION GENERAL:

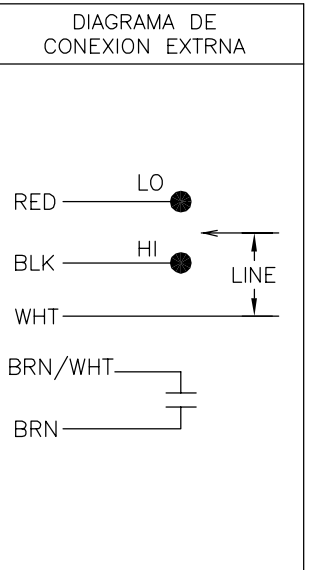
OSCILACION DE FLECHA: -
 JUEGO AXIAL: -
 BALEROS: -
 POSICION DEL MONTAJE: -

INFORMACION ELECTRICA:

PROTECTOR DE SOBRECARGA: -
 CABLES: -



INFORMACION DE ETIQUETA:
 MODEL NO.: F42B50A01
 CUST. P/N: ORV4539
 HP: 1/3
 ROT.: CWLE
 RPM: 1675/2 SPD.
 TYPE: FLL
 FRAME: 42Y
 VOLTS: 115
 PH: 1
 AMPS: 3.4
 HZ: 60
 INS.: B
 AMB.: 40° C
 DUTY: AIR OVER
 CAP.: 7.5 MFD/370 V
 ENCL: SEMI-ENCL.
 UL LOGO
 CSA LOGO
 THERMALLY PROTECTED TYPE C



	23.0/25.0	
	[584/635]	
-	23.0/25.0	-
-	[584/635]	-
-	23.0/25.0	-
-	[584/635]	-
-	23.0/25.0	-
-	[584/635]	-
COLOR	LONGITUD	TERMINAL O LONGITUD DE DESFORRE

CARCASA - LOC	-
TAPA - LOC	-
CARCASA - LC	-
TAPA - LC	-

CURVAS DE FUNCIONAMIENTO	TORSION @1675 RPM (25°C)	MUESTRA APROBADA	COMPONENTE UL #ARCHIVO	CCN #	CSA #ARCHIVO CLASE #
C31038	15.8 OZ. FT.	93AC418A	E46412	PRGY2	LR43341 4211-01

- CARACTERISTICAS DE GEOMETRIA Y SIMBOLOS
- PLANICIDAD
 - RECTITUD
 - ∠ ANGULARIDAD
 - ⊥ PERPENDICULARIDAD (A ESCUADRA)
 - // PARALELISMO
 - REDONDEZ (CIRCULARIDAD)
 - ⊘ CILINDRICIDAD
 - △ PERFIL DE CUALQUIER SUPERFICIE
 - ∩ PERFIL DE CUALQUIER LINEA
 - ∕ VARIACION
 - ⊕ POSICION REAL
 - ◎ CONCENRICIDAD
 - = SIMETRIA
- ASME Y14.5M 1994

REGAL-BELOIT CORPORATION (RBC) PROVEE ASISTENCIA TECNICA A NUESTROS CLIENTES EN VARIAS AREAS. DESDE QUE RBC NO RECIBE TODOS LOS DATOS EN RELACION AL USO Y A LA APLICACION DEL MOTOR, LA APLICACION ADECUADA DEL MOTOR DEBE SER DETERMINADA POR EL CLIENTE.

DIMENSIONES SIN TOLERANCIA SON DE REFERENCIA SOLAMENTE

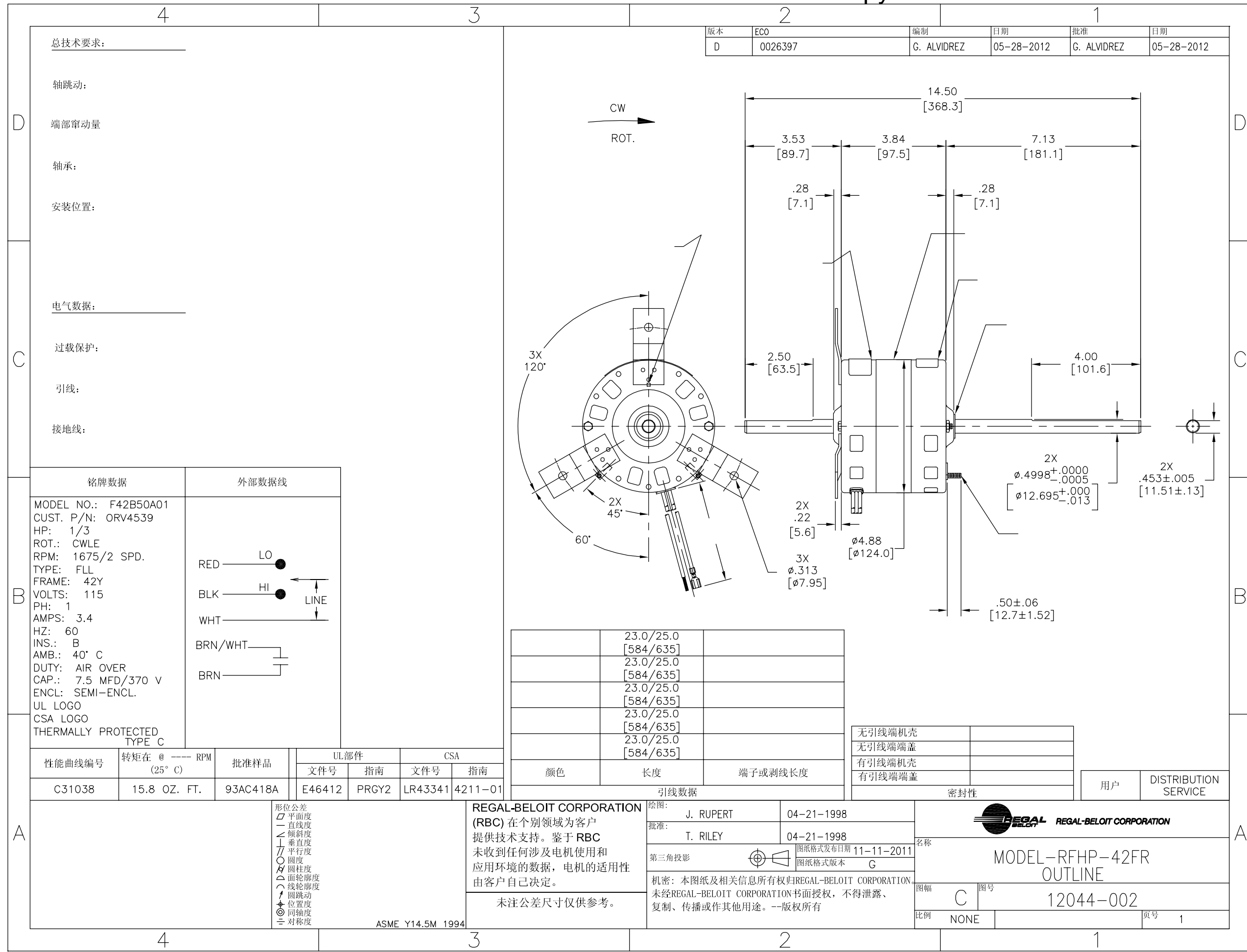
DIBUJADO POR: J. RUPERT 04-21-1998
 APROBADO POR: T. RILEY 04-21-1998
 TERCER ANGULO DE PROYECCION
 FECHA EDS: 11-11-2011
 REV. FORMATO: G
 CONFIDENCIAL: ESTE DIBUJO Y SU INFORMACION SON PROPIEDAD DE USO EXCLUSIVO Y CONFIDENCIAL DE REGAL-BELOIT CORPORATION. Y NO DEBERAN SER REVELADOS, DUPLICADOS, DISTRIBUIDOS O USARSE DE OTRA MANERA SIN EL CONSENTIMIENTO ESCRITO DE REGAL-BELOIT CORPORATION. -TODOS LOS DERECHOS RESERVADOS.

REGAL-BELOIT CORPORATION

DESCRIPCION: MODEL-RFHP-42FR OUTLINE

TAMAÑO: C NUMERO DE DIBUJO: 12044-002

ESCALA: NONE HOJA: 1



总技术要求:
轴跳动:
端部窜动量
轴承:
安装位置:
电气数据:
过载保护:
引线:
接地线:

版本	ECO	编制	G. ALVIDREZ	日期	05-28-2012	批准	G. ALVIDREZ	日期	05-28-2012
D	0026397								

铭牌数据	外部数据线
MODEL NO.: F42B50A01 CUST. P/N: ORV4539 HP: 1/3 ROT.: CWLE RPM: 1675/2 SPD. TYPE: FLL FRAME: 42Y VOLTS: 115 PH: 1 AMPS: 3.4 HZ: 60 INS.: B AMB.: 40° C DUTY: AIR OVER CAP.: 7.5 MFD/370 V ENCL: SEMI-ENCL. UL LOGO CSA LOGO THERMALLY PROTECTED TYPE C	

	23.0/25.0	
	[584/635]	
	23.0/25.0	
	[584/635]	
	23.0/25.0	
	[584/635]	
	23.0/25.0	
	[584/635]	
	23.0/25.0	
	[584/635]	

无引线端机壳	
无引线端端盖	
有引线端机壳	
有引线端端盖	

用户	DISTRIBUTION SERVICE
----	----------------------

性能曲线编号	转矩在 @ --- RPM (25° C)	批准样品	UL部件		CSA	
			文件号	指南	文件号	指南
C31038	15.8 OZ. FT.	93AC418A	E46412	PRGY2	LR43341	4211-01

颜色	长度	端子或剥线长度

REGAL-BELOIT CORPORATION (RBC) 在个别领域为客户提供技术支持。鉴于 RBC 未收到任何涉及电机使用和应用环境的数据，电机的适用性由客户自己决定。

未注公差尺寸仅供参考。

绘图:	J. RUPERT	04-21-1998
批准:	T. RILEY	04-21-1998
第三角投影		图纸格式发布日期 11-11-2011 图纸格式版本 G
机密: 本图纸及相关信息所有权归REGAL-BELOIT CORPORATION。未经REGAL-BELOIT CORPORATION书面授权, 不得泄露、复制、传播或作其他用途。--版权所有		

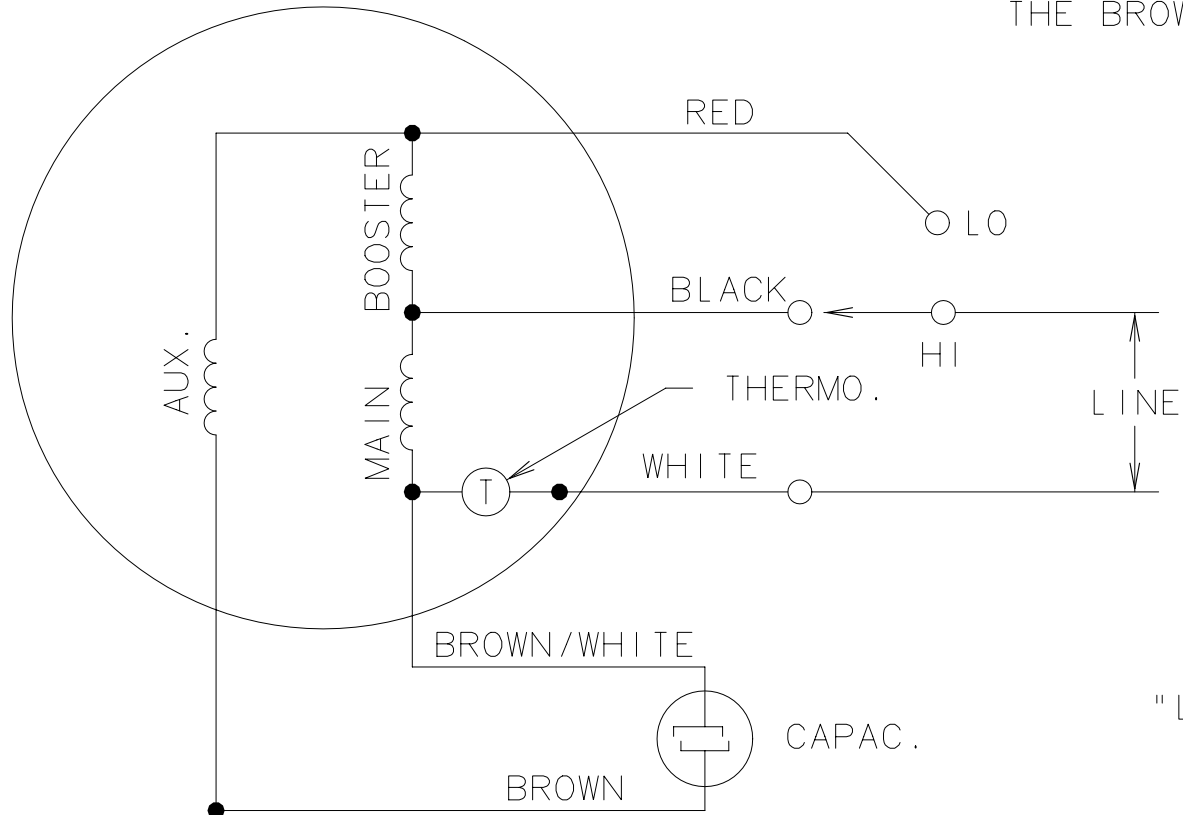
名称	MODEL-RFHP-42FR OUTLINE
图幅	C
图号	12044-002
比例	NONE
页号	1

- 形位公差
- 平面度
- 直线度
- ∠ 倾斜度
- ⊥ 垂直度
- ∥ 平行度
- 圆度
- ⊘ 圆柱度
- ⊖ 面轮廓度
- ⊖ 线轮廓度
- ⊖ 圆跳动
- ⊖ 位置度
- ⊖ 同轴度
- ⊖ 对称度

ASME Y14.5M 1994


622631

QUALITY CONTROL NOTE:
 - TO CHECK THE WINDINGS FOR OPENS,
 VERIFY THE CONTINUITY BETWEEN
 THE BROWN & BROWN/WHITE LEADS



"L" CONNECTION

CONFIDENTIAL: THIS DRAWING AND ITS INFORMATION ARE THE EXCLUSIVE AND CONFIDENTIAL PROPERTY OF A.O.SMITH CORP. AND ARE NOT TO BE DISCLOSED, DUPLICATED, DISTRIBUTED OR OTHERWISE USED WITHOUT THE WRITTEN CONSENT OF A.O.SMITH CORP. - ALL RIGHTS RESERVED

	DATE	CHANGED FROM	NOTICE	MATERIAL	PROCESS	A.O.SMITH A DIVISION OF A.O.SMITH CORPORATION ELECTRICAL PRODUCTS COMPANY TIPP CITY, OHIO		 COPYRIGHT 1992
				FIRST MODEL F42B50B50	SHEET 1 OF 1	DRAWN BY RUPERT	NPN NO. 93AN0775	DESCRIPTION DIAG. MLW FR42 TYPE FLL
				NO. OF MODELS 1	REFERENCE	SCALE NONE	APPROVED BY	REL. DATE 11/08/93
				LIMITS UNLESS OTHERWISE SPECIFIED: FRACTIONS ± NONE ANGLES ± NONE DECIMALS ± NONE		GROUP CODE FR42	FILE CODE CONEXT	PART NO. 622631

* CADAM DWG. -DO NOT ALTER