

PRODUCT INFORMATION PACKET



Model No: ORM4659BF
Catalog No: ORM4659BF
1/2-1/5 HP Condenser Fan Motor, 1075 RPM, 1 Speed, 460 Volts, 48 Frame, TEAO
Condenser Fans Motors



Regal and Century are trademarks of Regal Rexnord Corporation or one of its affiliated companies.
©2021 Regal Rexnord Corporation, All Rights Reserved. MC017097E





Nameplate Specifications

Output HP	1/2-1/5 Hp	Output KW	0.37 kW
Frequency	60 Hz	Voltage	460 V
Current	1.5 A	Speed	1075 rpm
Service Factor	1	Phase	1
Duty	Air Over	Insulation Class	F
Frame	48	Enclosure	Totally Enclosed
Thermal Protection	Automatic	Ambient Temperature	70 °C
UL	Recognized	CSA	Y
CE	N	Number of Speeds	1

Technical Specifications

Electrical Type	Permanent Split Capacitor	Starting Method	Across The Line
Poles	6	Rotation	Reversible
Mounting	Extended Studs	Motor Orientation	Any
Drive End Bearing	Ball	Opp Drive End Bearing	Ball
Frame Material	Rolled Steel	Shaft Type	Double Flat
Overall Length	12.99 in	Frame Length	5.13 in
Shaft Diameter	0.500 in	Shaft Extension	6.5 in
Outline Drawing	ORM4659BF-S01	Connection Drawing	614131-242

This is an uncontrolled document once printed or downloaded and is subject to change without notice. Date Created:11/22/2021

4

3

2

1

GENERAL INFORMATION:

SHAFT RUNOUT: .001[.03] T.I.R. PER INCH LENGTH OF EXTENSION

BEARINGS: BALL

MOUNTING POSITION: ALL ANGLE

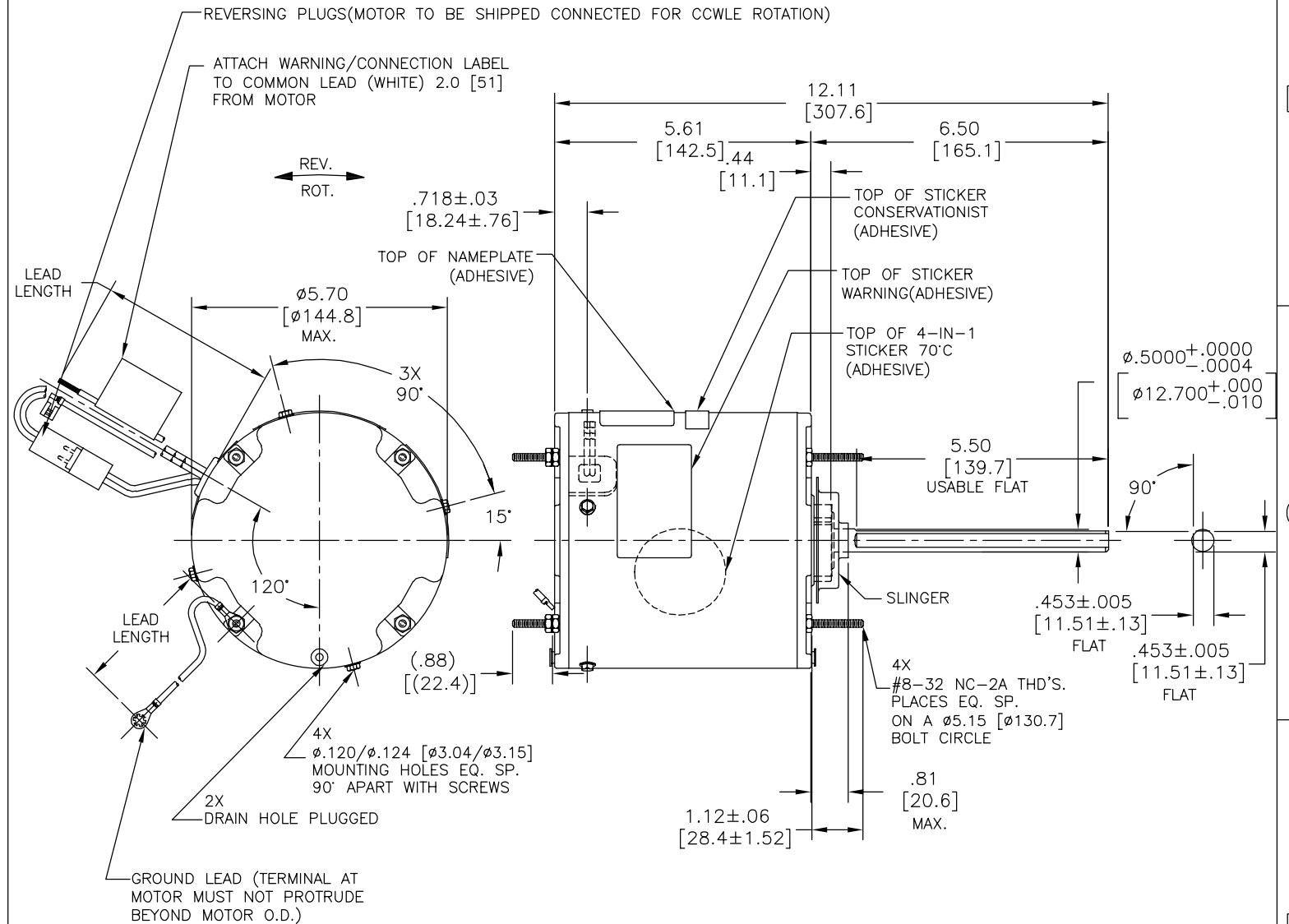
ELECTRICAL DATA:

OVERLOAD PROTECTOR: AUTOMATIC RESET (SENSATA 7AM 304)

LINE LEADS: NO. 18 GA., .06[1.5] THK. XLP 125°C INSUL.

REVERSING LEADS: NO. 18 GA., .03[.8] THK. XLP 125°C INSUL.

GROUND LEAD: NO. 18 GA., .03[.8] THK. (GREEN) INSUL.



NAMEPLATE DATA:	EXTERNAL CONNECTION DIAGRAM
MODEL NO.: F48AD08A01 CUST. P/N: ORM4659BF HP: 1/2-1/5 ROT.: REVERSIBLE RPM: 1075 TYPE: UF FRAME: 48 VOLTS: 460 PH: 1 AMPS: 1.5 HZ: 60 INS.: F AMB.: 70°C DUTY: AIR OVER CAP.: 10 MFD/370 V ENCL: ENCLOSED UL LOGO CSA LOGO THERMALLY PROTECTED	
614131-242	

GREEN (GROUND)	12.0/13.0 [305/330]	#10 EYELET
BLACK/WHITE	3.0/5.0 [76/127]	REVERSING PLUG
BROWN	48.0/51.0 [1219/1295]	.25[6.4] FLAG
BROWN/WHITE	48.0/51.0 [1219/1295]	.25[6.4] FLAG
WHITE	48.0/51.0 [1219/1295]	.50[12.7] SKIN
BLACK	48.0/51.0 [1219/1295]	.50[12.7] SKIN
COLOR	LENGTH	TERMINAL OR STRIP LENGTH

REGAL-BELOIT CORPORATION (RBC) PROVIDES TECHNICAL ASSISTANCE TO OUR CUSTOMERS IN SEVERAL AREAS. SINCE RBC DOES NOT RECEIVE ALL DATA CONCERNING THE USE AND APPLICATION OF THE MOTOR, THE SUITABILITY OF THE MOTOR FOR THE APPLICATION MUST BE DETERMINED BY THE CUSTOMER.

DIMENSIONS WITHOUT TOLERANCES ARE FOR REFERENCE ONLY.

- NOTES:
- ATTACH INSTRUCTION SHEET 681572-003 ONTO SHAFT APPROX. 1.0[25] FROM WATER SLINGER (OR 69P9-3 ONLY USED IN MEXICO)
 - 4X EXTRA HEX NUTS 7555A19H01 ON LEAD END (FINGER TIGHT)

MAIN FRAME - OLE	ENCLOSED
END FRAME - OLE	ENCLOSED
MAIN FRAME - LE	ENCLOSED
END FRAME - LE	ENCLOSED

CUSTOMER	DISTRIBUTION SERVICE

PERFORMANCE CURVE NO.	TORQUE @1075 RPM (25°C)	APPROVED SAMPLE	UL COMPONENT		CSA	
			FILE #	CCN #	FILE #	CLASS #
C32586	48.3 OZ. FT.	0601190A	E46412	PRGY2	LR43341	4211-01

DRAWING REVISION	REVISION BY	DATE
E	J.YAO	05-12-2014
ECO 0050474	APPROVED BY J.ZHU	DATE 05-12-2014

ECO DESCRIPTION: UPDATE NEW TITLE BLOCK

COPYRIGHT REGAL-BELOIT AMERICA, INC. ALL RIGHTS RESERVED. PROPRIETARY AND CONFIDENTIAL INFORMATION - THIS DOCUMENT IS THE PROPERTY OF REGAL-BELOIT AMERICA, INC. (OWNER) AND CONTAINS OWNER'S PROPRIETARY INFORMATION. ANY PERSON, CORPORATION OR OTHER FIRM RECEIVING IT IS DEEMED, BY RECEIVING IT, TO AGREE THAT IT, AND/OR ANY PART OF IT, SHALL NOT BE DISCLOSED TO ANY PERSON, CORPORATION OR OTHER ENTITY, DUPLICATED, AND/OR USED, EXCEPT AS EXPRESSLY APPROVED IN WRITING IN ADVANCE BY OWNER. THIS DOCUMENT SHALL BE RETURNED TO OWNER UPON REQUEST. IT MAY BE SUBJECT TO CERTAIN RESTRICTIONS UNDER APPLICABLE EXPORT CONTROL LAWS AND REGULATIONS.

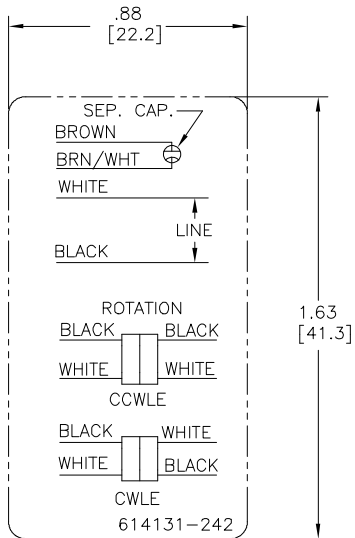
DRAWN BY: H.ZHU	DATE: 05-27-2009	Regal Beloit America, Inc.
APPROVED BY: D.U.	DATE: 06-01-2009	
REFERENCE: -	MATERIAL: -	DESCRIPTION: MODEL-RFHP-48FR OUTLINE
THIRD ANGLE PROJECTION	SIZE DWG NO: C	PROCESS/FINISH: -
		ORM4659BF
		SHEET 1

4

3


2

1



NOTES:

1. FOR USE WITH 614129 NAMEPLATE BLANK
2. --- INDICATES DIMENSION LIMITS
3. DIE TO BE MADE FROM MASTER SUPPLIED BY A. O. SMITH CORPORATION
4. DIE MUST PRODUCE A LEGIBLE IMPRESSION.

DRAWING REVISION E	REVISION BY J. RUPERT	DATE 04-15-2021	TOLERANCES UNLESS OTHERWISE SPECIFIED			DRAWN BY: YL	 Regal Beloit America, Inc.		
ECD NMR-0208134	APPROVED BY J. RUPERT	DATE 04-15-2021	DEC.	INCH	mm	ANGLE		DESCRIPTION	
ECO DESCRIPTION UP ISSUED			.X	±0.1	[±2.5]	±0.5°	CONNECTION DIAGRAM EXTERNAL		
<small>COPYRIGHT REGAL BELOIT AMERICA, INC. ALL RIGHTS RESERVED. PROPRIETARY AND CONFIDENTIAL INFORMATION - THIS DOCUMENT IS THE PROPERTY OF REGAL BELOIT AMERICA, INC. ("OWNER") AND CONTAINS OWNER'S PROPRIETARY INFORMATION. ANY PERSON, CORPORATION OR OTHER FIRM RECEIVING IT IS DEEMED BY RECEIVING IT, TO AGREE THAT IT, AND/OR ANY PART OF IT, SHALL NOT BE DISCLOSED TO ANY PERSON, CORPORATION OR OTHER ENTITY, DUPLICATED, AND/OR USED, EXCEPT AS EXPRESSLY APPROVED IN WRITING IN ADVANCE BY OWNER. THIS DOCUMENT SHALL BE RETURNED TO OWNER UPON REQUEST. IT MAY BE SUBJECT TO CERTAIN RESTRICTIONS UNDER APPLICABLE EXPORT CONTROL LAWS AND REGULATIONS.</small>			.XX	±0.02	[±0.51]		MATERIAL	PROCESS/FINISH	
			.XXX	±0.005	[±0.127]		REFERENCE		
			.XXXX	±0.0005	[±0.0127]		SIZE	DWG NO	SHEET
			REMOVE BURRS & BREAK SHARP EDGES .003/.015 [0.076/.381] X 45° CORNER FILLETS R.02 [5.1] MACHINED SURFACE				A	614131-242	1
			4 of 4 mm ^{3.2}			THIRD ANGLE PROJECTION			
			mm SHOWN IN [BRACKETS]						