

PRODUCT INFORMATION PACKET



Model No: ORM1038
Catalog No: ORM1038
1/3 HP OEM Replacement Motor, 825 RPM, 2 Speed, 208-230 Volts, 48 Frame, OAO
OEM Replacement Motors



Regal and Century are trademarks of Regal Rexnord Corporation or one of its affiliated companies.
©2021 Regal Rexnord Corporation, All Rights Reserved. MC017097E





Nameplate Specifications

| | | | |
|--------------------|------------|---------------------|---------------|
| Output HP | 1/3 Hp | Output KW | 0.25 kW |
| Frequency | 60 Hz | Voltage | 208-230 V |
| Current | 2.8 A | Speed | 825 rpm |
| Service Factor | 1 | Phase | 1 |
| Duty | Air Over | Insulation Class | B |
| Frame | 48Y | Enclosure | Open Enclosed |
| Thermal Protection | Automatic | Ambient Temperature | 40 °C |
| UL | Recognized | CSA | Y |
| CE | N | Number of Speeds | 2 |

Technical Specifications

| | | | |
|--------------------|---------------------------|-----------------------|---------------------------|
| Electrical Type | Permanent Split Capacitor | Starting Method | Across The Line |
| Poles | 8 | Rotation | Counterclockwise Lead End |
| Mounting | Round Belly Band | Motor Orientation | Horizontal |
| Drive End Bearing | Sleeve | Opp Drive End Bearing | Sleeve |
| Frame Material | Rolled Steel | Shaft Type | Flat |
| Overall Length | 6.73 in | Frame Length | 4.00 in |
| Shaft Diameter | 0.500 in | Shaft Extension | 2.1 in |
| Connection Drawing | 614131-070 | Outline Drawing | F48E23A01-S01 |

This is an uncontrolled document once printed or downloaded and is subject to change without notice. Date Created:10/07/2021

| | | | | | |
|-----|---------|-------------|------------|----------|------------|
| REV | ECO | REV BY | DATE | APPD | DATE |
| B | 0025557 | O. CARVAJAL | 05-02-2012 | M. AVILA | 05-02-2012 |

GENERAL INFORMATION:

SHAFT RUNOUT: .001[.03] T.I.R. PER INCH LENGTH OF EXTENSION.

END PLAY: .010[.25] TO .063[1.60]

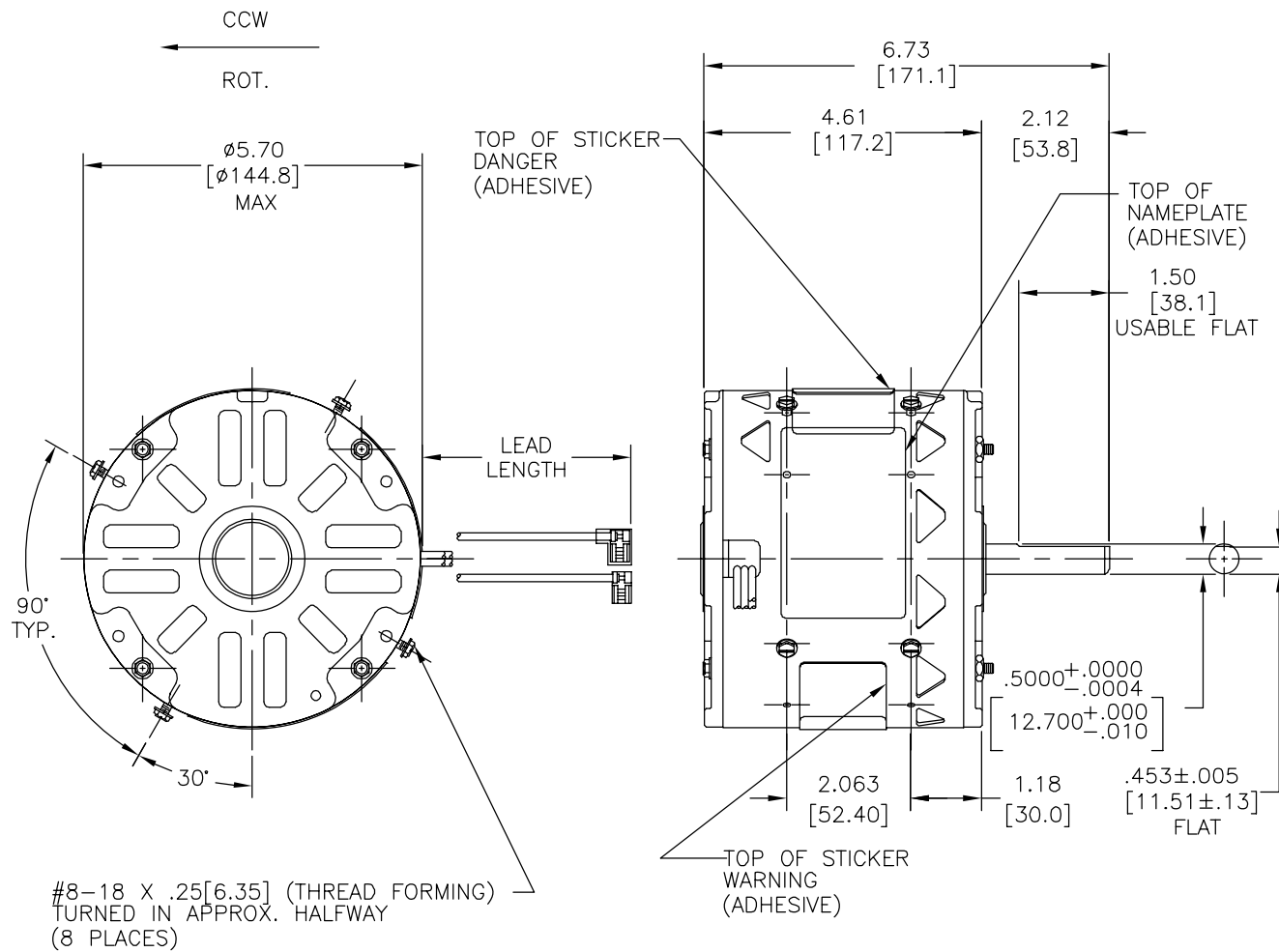
BEARINGS: SLEEVE

MOUNTING POSITION: ALL ANGLE

ELECTRICAL DATA:

OVERLOAD PROTECTOR: AUTOMATIC RESET (T.I. 7AM 036)

LEADS: NO. 18 GA., .06[1.5] THK., 125°C XLP



| | |
|--|--|
| NAMEPLATE DATA: | EXTERNAL CONNECTION DIAGRAM |
| MODEL: F48E23A01 CUST. P/N: ORM1038 HP: 1/3 ROT: CCWLE RPM: 825/2 SPD TYPE: UF FRAME: 48Y VOLTS: 208-230 PH: 1 AMPS: 2.8 HZ: 60/50 INS: B AMB: °C 40 DUTY: AIR OVER CODE: - CAP.: 10 MFD/370V ENCL: OPEN CSA LOGO UL LOGO THERMALLY PROTECTED | CONNECTION DIAGRAM SEP. CAP. 614131-070 |

| | | |
|--------|---------------------|--------------------------|
| BROWN | 14.0[356]/16.0[406] | .25[6.3] FLAG |
| ORANGE | 14.0[356]/16.0[406] | .25[6.3] FLAG |
| BLACK | 14.0[356]/16.0[406] | .25[6.3] PRE-INSUL. FLAG |
| RED | 14.0[356]/16.0[406] | .25[6.3] PRE-INSUL. FLAG |

| | |
|--------------|---------------|
| MAIN FR.-OLE | OPEN |
| END FR.-OLE | OPEN |
| MAIN FR.-LE | SEMI-ENCLOSED |
| END FR.-LE | OPEN |

| | |
|----------|----------------------|
| CUSTOMER | DISTRIBUTION SERVICE |
|----------|----------------------|

| UL COMPONENT | | CSA | |
|--------------|-------|---------|---------|
| FILE# | CCN # | FILE # | CLASS # |
| E46412 | PRGY2 | LR43341 | 4211-01 |

REGAL-BELOIT CORPORATION (RBC) PROVIDES TECHNICAL ASSISTANCE TO OUR CUSTOMERS IN SEVERAL AREAS. SINCE RBC DOES NOT RECEIVE ALL DATA CONCERNING THE USE AND APPLICATION OF THE MOTOR, THE SUITABILITY OF THE MOTOR FOR THE APPLICATION MUST BE DETERMINED BY THE CUSTOMER.

DIMENSIONS WITHOUT TOLERANCES ARE FOR REFERENCE ONLY.

| | | |
|------------------------|----|-------------------------------------|
| DR BY: | TH | 02-18-2011 |
| APPD: | BS | 02-18-2011 |
| THIRD ANGLE PROJECTION | | EDS DATE 11-11-2011 FORMAT REV G |

CONFIDENTIAL: THIS DRAWING AND ITS INFORMATION ARE THE EXCLUSIVE AND CONFIDENTIAL PROPERTY OF REGAL-BELOIT CORPORATION AND ARE NOT TO BE DISCLOSED, DUPLICATED, DISTRIBUTED OR OTHERWISE USED WITHOUT THE WRITTEN CONSENT OF REGAL-BELOIT CORPORATION. -ALL RIGHTS RESERVED.



| | | |
|-------------|----------------------------|------------------|
| DESCRIPTION | MODEL-RFHP-48FR OUTLINE | |
| SIZE | C | DWG NO F48E23A01 |
| SCALE | NONE | SHEET 1 |

A

4

3

2

1

| | | | | | |
|-----------|---------|---------------|------------|---------------|------------|
| REVISION: | ECO | REVISADO POR: | FECHA: | APROBADO POR: | FECHA: |
| B | 0025557 | O. CARVAJAL | 05-02-2012 | M. AVILA | 05-02-2012 |

INFORMACION GENERAL :

OSCILAMIENTO FLECHA: .001[.03] T.I.R. POR PULGADA DE LONGITUD DE EXT..

JUEGO AXIAL: .010[.25] A .063[1.60]

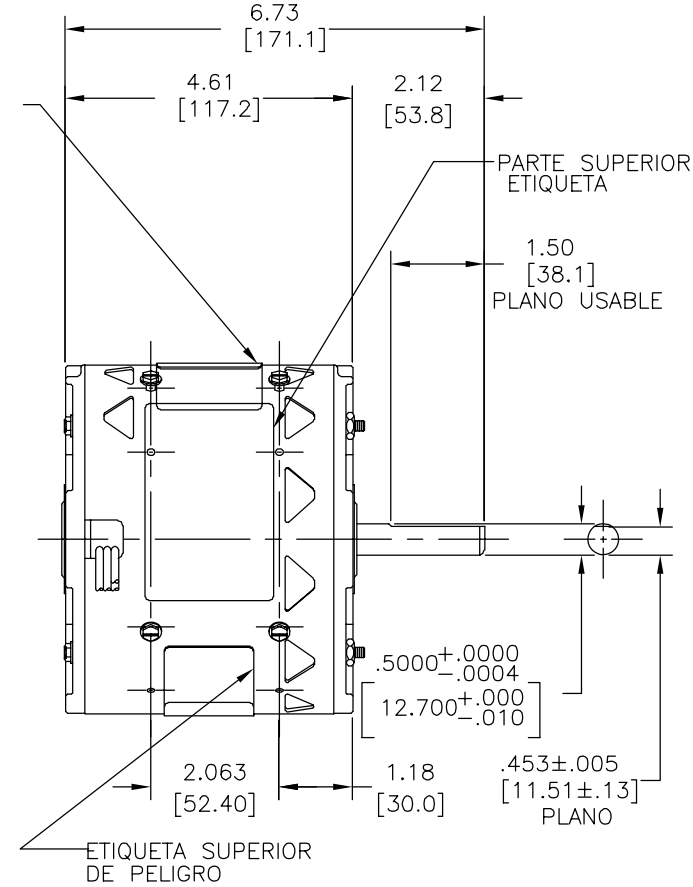
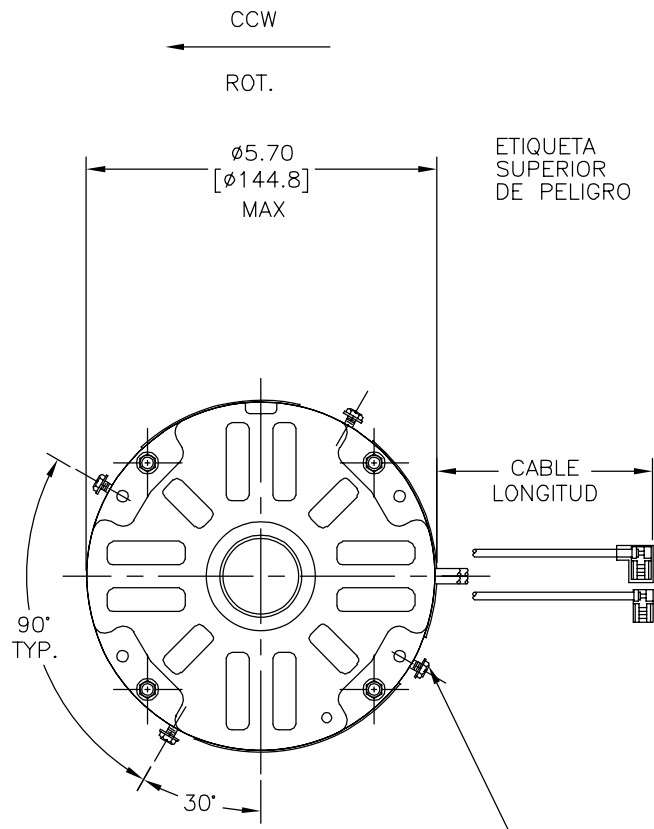
BALEROS: MANGUITO

POSICION DE MONTAJE: TODO EL ANGULO

DATOS ELECTRICOS:

SOBRECARGA DEL PROTECTOR: RESETEADOR AUTOMATICO (T.I. 7AM 036)

CABLES: NO. 18 CALIBRE, .06[1.5]ESPESOR., 125°C XLP



| | |
|--|----------------------------------|
| NAMEPLATE DATA: | EXTERNAL CONNECTION DIAGRAM |
| MODEL: F48E23A01 CUST. P/N: ORM1038 HP: 1/3 ROT: CCWLE RPM: 825/2 SPD TYPE: UF FRAME: 48Y VOLTS: 208-230 PH: 1 AMPS: 2.8 HZ: 60/50 INS: B AMB: °C 40 DUTY: AIR OVER CODE: - CAP.: 10 MFD/370V ENCL: OPEN CSA LOGO UL LOGO THERMALLY PROTECTED | CONNECTION DIAGRAM SEP. CAP. |

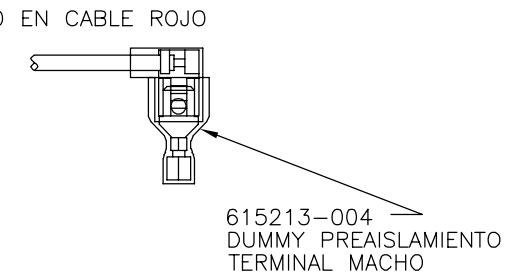
| | | |
|---------|---------------------|------------------------------------|
| CAFE | 14.0[356]/16.0[406] | .25[6.3] TERMINAL BANDERA |
| NARANJA | 14.0[356]/16.0[406] | .25[6.3] TERMINAL BANDERA |
| NEGRO | 14.0[356]/16.0[406] | .25[6.3] TERMINAL BANDERA/AISLANTE |
| ROJO | 14.0[356]/16.0[406] | .25[6.3] TERMINAL BANDERA/AISLANTE |

| | |
|--------------|-------------|
| MAIN FR.-OLE | ABIERTO |
| END FR.-OLE | ABIERTO |
| MAIN FR.-LE | SEMICERRADO |
| END FR.-LE | ABIERTO |

| | |
|---------|----------------------|
| CLIENTE | DISTRIBUTION SERVICE |
|---------|----------------------|

| | | |
|-----------------|----------|------------------------------|
| COLOR | LONGITUD | TERMINAL O LONG. DE DESFORRE |
| DATOS DEL CABLE | | |

| | |
|---------------|--|
| TIPO DE MOTOR | |
|---------------|--|



CARACTERISTICAS DE GEOMETRIA Y SIMBOLOS

- PLANICIDAD
- RECTITUD
- ∠ ANGULARIDAD
- ⊥ PERPENDICULARIDAD (A ESCUADRA)
- // PARALELISMO
- REDONDEZ (CIRCULARIDAD)
- ∅ CILINDRICIDAD
- △ PERFIL DE CUALQUIER SUPERFICIE
- ∩ PERFIL DE CUALQUIER LINEA
- ∧ VARIACION
- ⊕ POSICION REAL
- ⊙ CONCENTRICIDAD
- = SIMETRIA

ASME Y14.5M 1994

REGAL-BELOIT CORPORATION (RBC) PROVEE ASISTENCIA TECNICA A NUESTROS CLIENTES EN VARIAS AREAS. DESDE QUE RBC NO RECIBE TODOS LOS DATOS EN RELACION AL USO Y A LA APLICACION DEL MOTOR, LA APLICACION ADECUADA DEL MOTOR DEBE SER DETERMINADA POR EL CLIENTE.

DIMENSIONES SIN TOLERANCIA SON DE REFERENCIA SOLAMENTE

DIBUJADO POR: TH 02-18-2011

APROBADO POR: BS 02-18-2011

TERCER ANGULO DE PROYECCION

FECHA EDS: 11-11-2011

REV. FORMATO: G

CONFIDENCIAL: ESTE DIBUJO Y SU INFORMACION SON PROPIEDAD DE USO EXCLUSIVO Y CONFIDENCIAL DE REGAL-BELOIT CORPORATION. Y NO DEBERAN SER REVELADOS, DUPLICADOS, DISTRIBUIDOS O USARSE DE OTRA MANERA SIN EL CONSENTIMIENTO ESCRITO DE REGAL-BELOIT CORPORATION. -TODOS LOS DERECHOS RESERVADOS.

REGAL-BELOIT CORPORATION

DESCRIPCION: MODEL-RFHP-48FR OUTLINE

TAMAÑO: C NUMERO DE DIBUJO: F48E23A01

ESCALA: NONE HOJA: 1

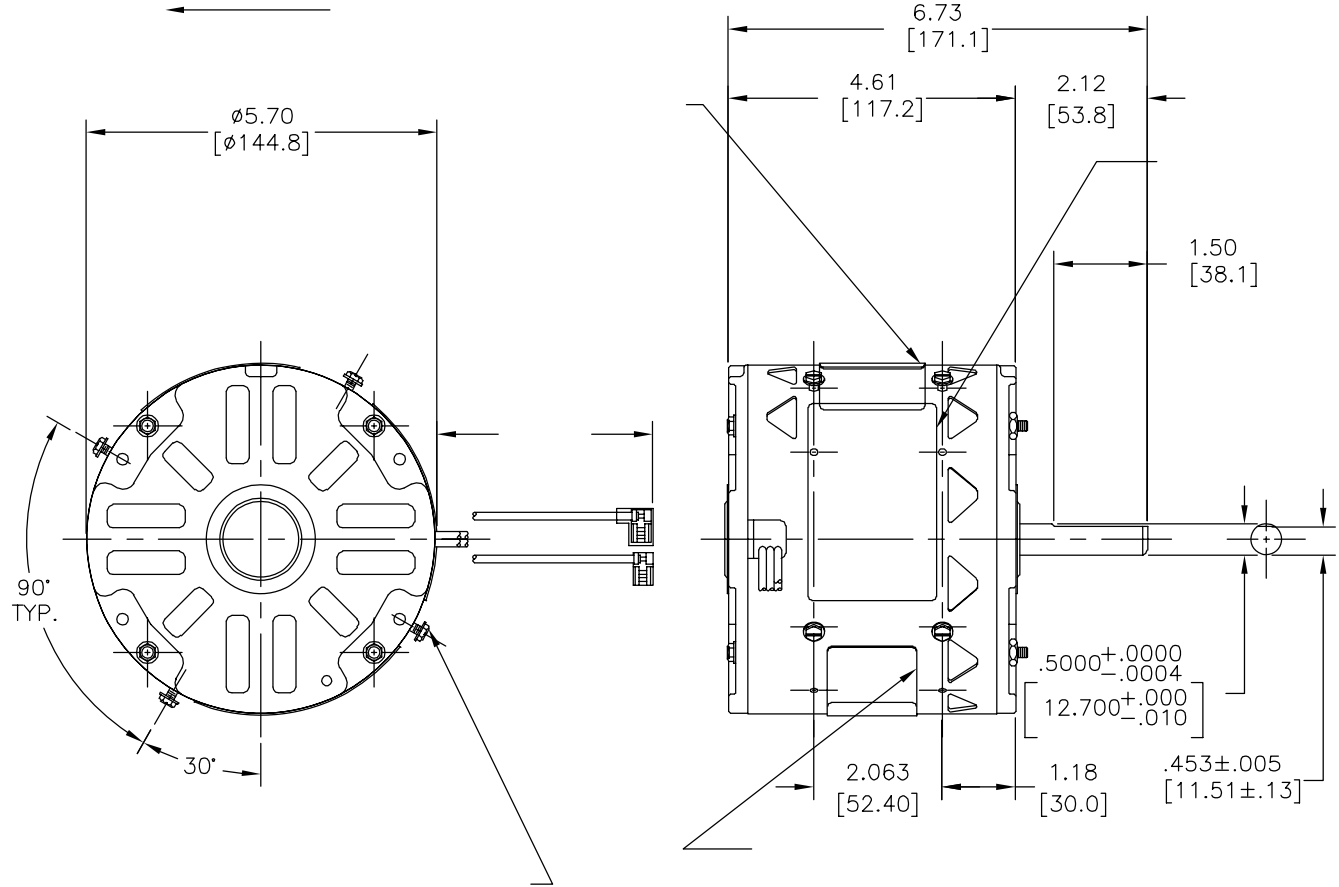
4

3

2

1

| | | | | | |
|----|---------|-------------|------------|----------|------------|
| 版本 | ECO | 编制 | 日期 | 批准 | 日期 |
| B | 0025557 | O. CARVAJAL | 05-02-2012 | M. AVILA | 05-02-2012 |



| | |
|--|---|
| NAMEPLATE DATA: | EXTERNAL CONNECTION DIAGRAM |
| MODEL: F48E23A01 CUST. P/N: ORM1038 HP: 1/3 ROT: CCWLE RPM: 825/2 SPD TYPE: UF FRAME: 48Y VOLTS: 208-230 PH: 1 AMPS: 2.8 HZ: 60/50 INS: B AMB: °C 40 DUTY: AIR OVER CODE: - CAP.: 10 MFD/370V ENCL: OPEN CSA LOGO UL LOGO THERMALLY PROTECTED | CONNECTION DIAGRAM SEP. CAP. BROWN ORANGE BLACK HI RED LO LINE 614131-070 |

| | | |
|--|---------------------|--|
| | 14.0[356]/16.0[406] | |
| | 14.0[356]/16.0[406] | |
| | 14.0[356]/16.0[406] | |
| | 14.0[356]/16.0[406] | |

DISTRIBUTION SERVICE

- 形位公差
- 平面度
- 直线度
- ∠ 倾斜度
- ⊥ 垂直度
- // 平行度
- 圆度
- ⊘ 圆柱度
- ⊙ 圆轮廓度
- △ 面轮廓度
- ∩ 线轮廓度
- ↗ 圆跳动
- ⊕ 位置度
- ⊙ 同轴度
- ≡ 对称度

ASME Y14.5M 1994

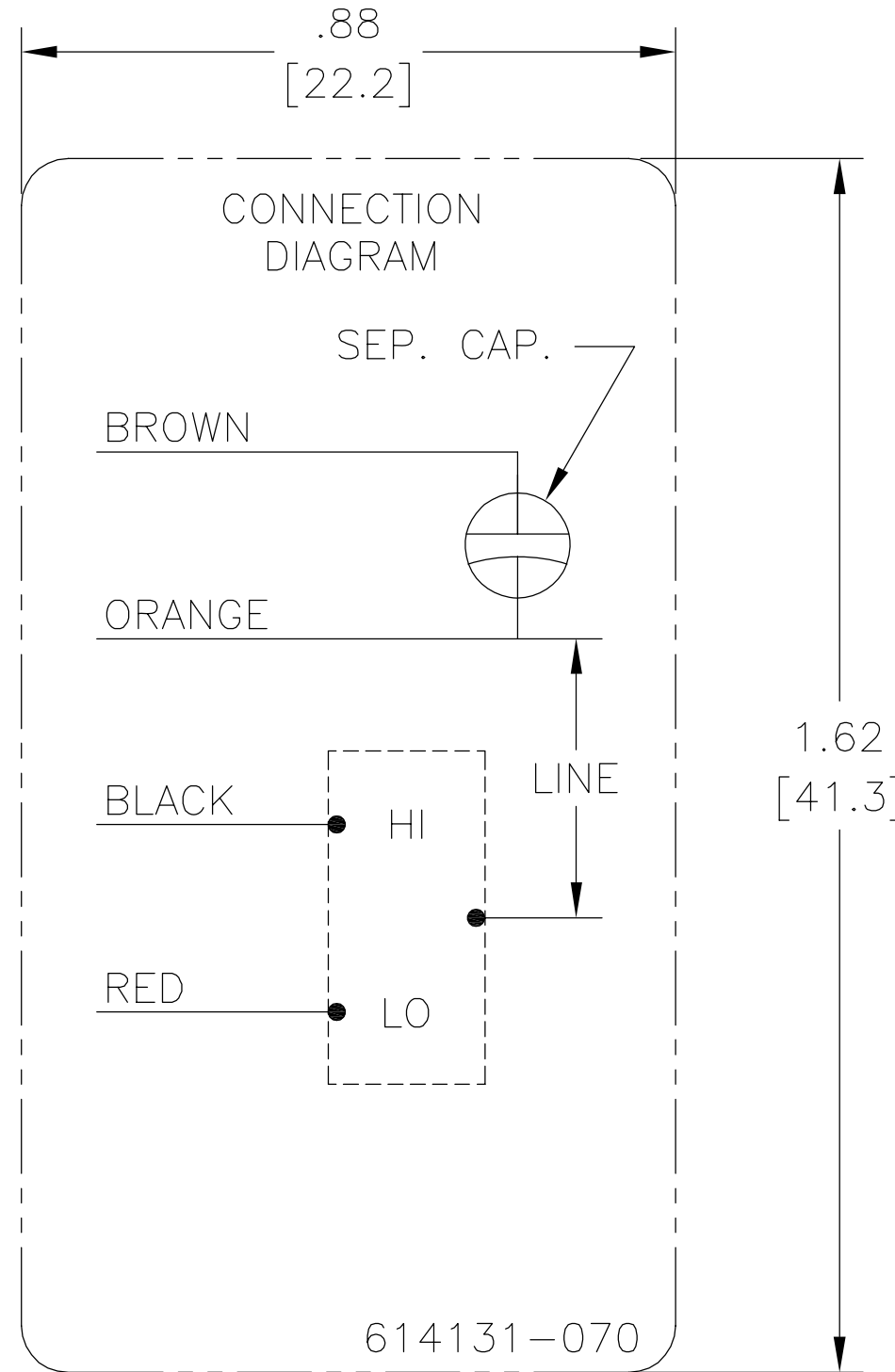
REGAL-BELOIT CORPORATION (RBC) 在个别领域为客户提供技术支持。鉴于RBC未收到任何涉及电机使用和应用环境的数据，电机的适用性由客户自己决定。

未注公差尺寸仅供参考。

| | | |
|---|----|---------------------------------|
| 绘图: | TH | 02-18-2011 |
| 批准: | BS | 02-18-2011 |
| 第三角投影 | | 图纸格式发布日期 11-11-2011 图纸格式版本 G |
| 机密: 本图纸及相关信息所有权归REGAL-BELOIT CORPORATION。未经REGAL-BELOIT CORPORATION书面授权, 不得泄露、复制、传播或作其他用途。一版权所有 | | |

| | |
|----|----------------------------|
| | |
| 名称 | MODEL-RFHP-48FR OUTLINE |
| 图幅 | C |
| 图号 | F48E23A01 |
| 比例 | NONE |
| 页号 | 1 |

| REV | ECO | REV BY | DATE | APPD | DATE |
|-----|-------------|---------|------------|---------|------------|
| B | ECO-0028985 | jrupert | 10-24-2012 | jrupert | 10-24-2012 |



NOTES:

1. FOR USE WITH 614129 NAMEPLATE BLANK
2. ———— INDICATES DIMENSION LIMITS
3. DIE TO BE MADE FROM MASTER SUPPLIED BY REGAL BELOIT CORPORATION
4. DIE MUST PRODUCE A LEGIBLE IMPRESSION.

GEOMETRIC CHARACTERISTICS & SYMBOLS

- ▭ FLATNESS
- STRAIGHTNESS
- ∠ ANGULARITY
- ⊥ PERPENDICULARITY (SQUARENESS)
- // PARALLELISM
- ROUNDNESS (CIRCULARITY)
- ⊘ CYLINDRICITY
- △ PROFILE OF ANY SURFACE
- ⌒ PROFILE OF ANY LINE
- ↗ RUNOUT
- ⊕ TRUE POSITION
- ◎ CONCENTRICITY
- ≡ SYMMETRY

ASME Y14.5M 1994

UNLESS OTHERWISE SPECIFIED
DIM. TOLERANCES ARE AS FOLLOWS:

| | | | | |
|------|------|-------|--------|--------|
| INCH | ±.1 | ±.02 | ±.005 | ±.0005 |
| mm | ±0.5 | ±0.13 | ±0.013 | |

ANG. ±.50 DEG

REMOVE BURRS & BREAK SHARP EDGES:
INCH .003-.015 mm 0.1-0.4

CORNER FILLETS TO:
INCH .020 mm 0.5

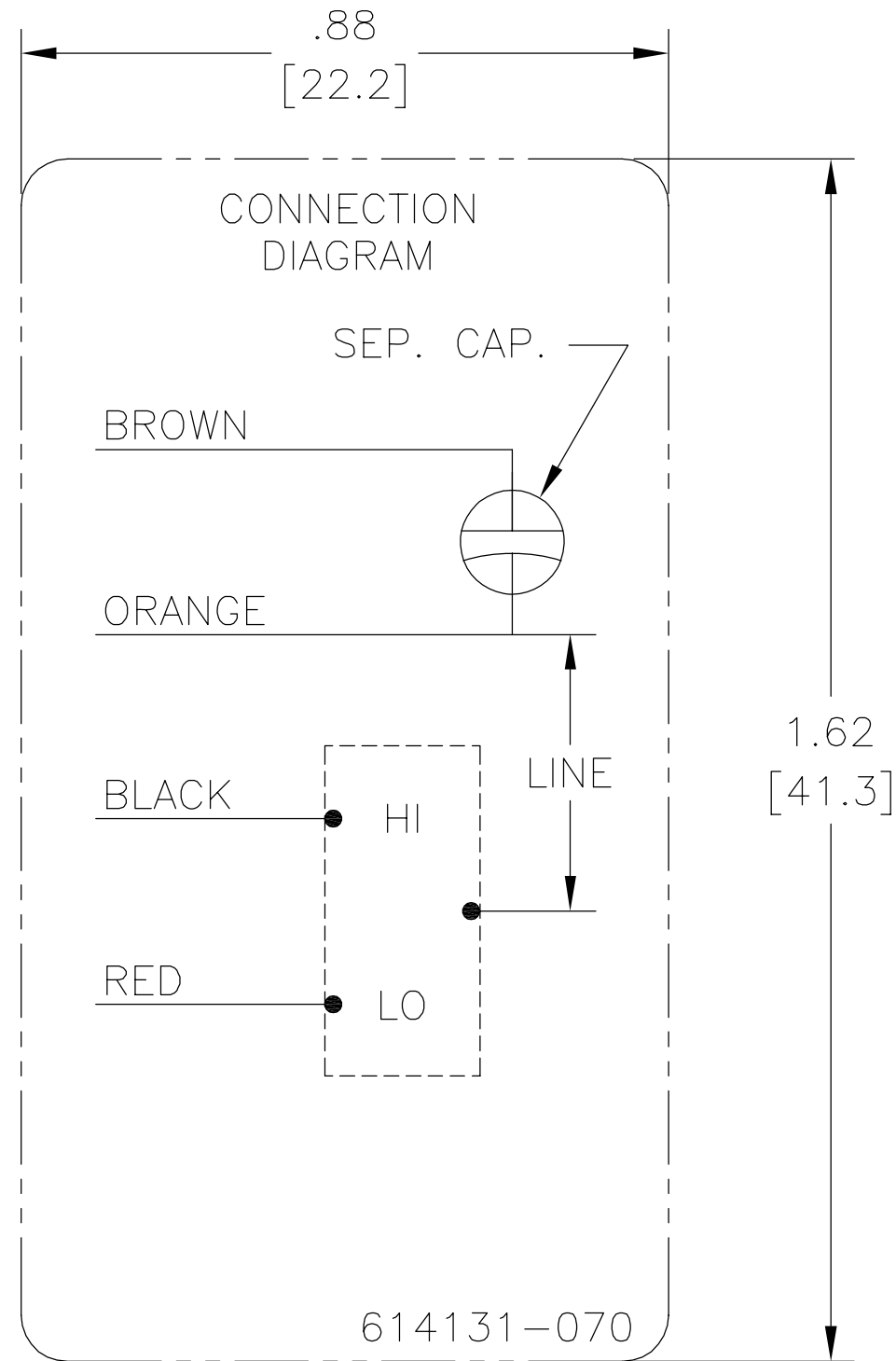
MACHINE SURFACES:
INCH 125 mm 3.2

METRIC DIMS. SHOWN IN [BRACKETS]

| | | |
|---|---------|-------------------------------------|
| DR BY: | jrupert | 10-24-2012 |
| APPD: | jrupert | 10-24-2012 |
| THIRD ANGLE PROJECTION | | EDS DATE 11-11-2011 FORMAT REV H |
| CONFIDENTIAL: THIS DRAWING AND ITS INFORMATION ARE THE EXCLUSIVE AND CONFIDENTIAL PROPERTY OF REGAL -BELOIT CORPORATION AND ARE NOT TO BE DISCLOSED, DUPLICATED, DISTRIBUTED OR OTHERWISE USED WITHOUT THE WRITTEN CONSENT OF REGAL-BELOIT CORPORATION. -ALL RIGHTS RESERVED. | | |

| | |
|---------------------------------------|----------------------|
| REGAL REGAL-BELOIT CORPORATION | |
| DESCRIPTION CONN DIAGRAM-NAMEPLATE | |
| SIZE A | DWG NO 614131-070 |
| SCALE NONE | SHEET 1 |

| | | | | | |
|-----------|-------------|---------------|------------|---------------|------------|
| REVISION: | ECO | REVISADO POR: | FECHA: | APROBADO POR: | FECHA: |
| B | ECO-0028985 | jrupert | 10-24-2012 | jrupert | 10-24-2012 |



NOTAS:

1. PARA USO CON ETIQUETA EN BLANCO 614129.
2. ——— ——— INDICA LIMITE DE DIMENSIONES
3. MOLDE DEBERA ESTAR HECHO POR REFERENCIA SUBMINISTRADA POR REGAL BELOIT CORPORATION.
4. MOLDE DEBERA PRODUCIRSE CON IMPRESION LEGIBLE.

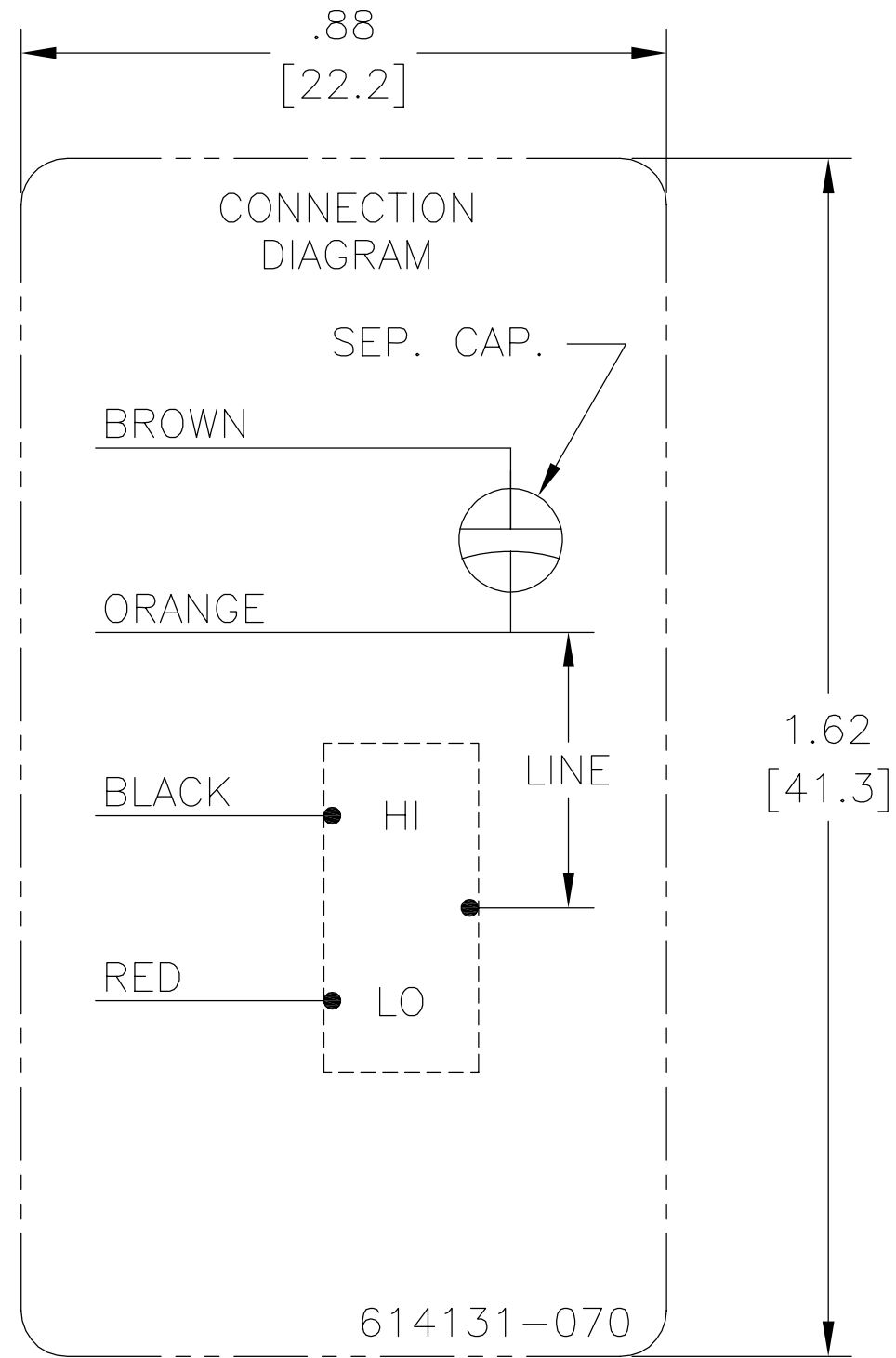
| |
|---|
| CARACTERISTICAS DE GEOMETRIA Y SIMBOLOS ▯ PLANICIDAD — RECTITUD < ANGULARIDAD ⊥ PERPENDICULARIDAD (A ESCUADRA) // PARALELISMO ○ REDONDEZ (CIRCULARIDAD) ∅ CILINDRICIDAD ⊖ PERFIL DE CUALQUIER SUPERFICIE ∩ PERFIL DE CUALQUIER LINEA ↗ VARIACION ⊕ POSICION REAL ⊙ CONCENTRICIDAD ≡ SIMETRIA |
|---|

| |
|---|
| A MENOS QUE SE ESPECIFIQUE DE OTRA MANERA, LAS TOLERANCIAS DE LAS DIMS; SON LAS SIGUIENTES: X XX XXX XXXX PULG ±.1 ±.02 ±.005 ±.0005 mm ±0.5 ±0.13 ±0.013 ANG. ±.50 GRADOS ELIMINAR REBABAS Y ORILLAS FILOSAS DEL BORDE. PULG .003-.015 mm 0.1-0.4 FILETEAR ESQUINA: PULG .020 mm 0.5 MAQUINAR SUPERFICIES PULG 125 mm 3.2 DIMS METRICAS MOSTRADAS [PARENTESIS] |
|---|

| | | |
|---|---------|--|
| DIBUJADO POR: | jrupert | 10-24-2012 |
| APROBADO POR: | jrupert | 10-24-2012 |
| TERCER ANGULO DE PROYECCION | | FECHA EDS: 11-11-2011 REV. FORMATO: H |
| CONFIDENCIAL: ESTE DIBUJO Y SU INFORMACION SON PROPIEDAD DE USO EXCLUSIVO Y CONFIDENCIAL DE REGAL-BELOIT CORPORATION Y NO DEBERAN SER REVELADOS, DUPLICADOS, DISTRIBUIDOS O USARSE DE OTRA MANERA SIN EL CONSENTIMIENTO ESCRITO DE REGAL-BELOIT CORPORATION.-TODOS LOS DERECHOS RESERVADOS. | | |

| | |
|---------------------------------|------------------------------|
| REGAL-BELOIT CORPORATION | |
| DESCRIPCION: | |
| CONN DIAGRAM-NAMEPLATE | |
| TAMAÑO: A | NUMERO DE DIBUJO: 614131-070 |
| ESCALA: NONE | HOJA: 1 |

| | | | | | |
|----|-------------|---------|------------|---------|------------|
| 版本 | ECO | 编制 | 日期 | 批准 | 日期 |
| B | ECO-0028985 | jrupert | 10-24-2012 | jrupert | 10-24-2012 |



| | |
|--------|--------------------------|
| 形位公差 | 除另有注明 |
| □ 平面度 | 尺寸公差如下: |
| — 直线度 | 英寸 X XX XXX XXXX |
| ∠ 倾斜度 | 英寸 ±.1 ±.02 ±.005 ±.0005 |
| ⊥ 垂直度 | 毫米 ±0.5 ±0.13 ±0.013 |
| // 平行度 | 角度 ±.50 度 |
| ○ 圆度 | 清理毛刺和尖棱 |
| ⊘ 圆柱度 | 英寸 .003-.015 毫米 0.1-0.4 |
| △ 面轮廓度 | 内圆角 |
| ∩ 线轮廓度 | 英寸 .020 毫米 0.5 |
| ↗ 圆跳动 | 表面粗糙度 |
| ⊕ 位置度 | 英制 125 米制 3.2 |
| ◎ 同轴度 | 米制尺寸显示在 [] |
| ≡ 对称度 | |

| |
|------------------|
| ASME Y14.5M 1994 |
|------------------|

| | | |
|--|---------|---------------------------------|
| 绘图: | jrupert | 10-24-2012 |
| 批准: | jrupert | 10-24-2012 |
| 第三角投影 | | 图纸格式发布日期 11-11-2011 图纸格式版本 H |
| 机密:本图纸及相关信息所有权归REGAL-BELOIT CORPORATION 未经REGAL-BELOIT CORPORATION书面授权,不得泄露、 复制、传播或作其他用途。—版权所有 | | |

| | | | |
|----|------------------------|---------------------------------|------------|
| | | REGAL-BELOIT CORPORATION | |
| 名称 | CONN DIAGRAM-NAMEPLATE | | |
| 图幅 | A | 图号 | 614131-070 |
| 比例 | NONE | 页号 | 1 |