

PRODUCT INFORMATION PACKET



Model No: ORM10206V1
Catalog No: ORM10206V1
1/5 HP OEM Replacement Motor, 1075 RPM, 208-230 Volts, 48 Frame, TEAO

OEM Replacement Motors



Regal and Century are trademarks of Regal Rexnord Corporation or one of its affiliated companies.
©2022 Regal Rexnord Corporation, All Rights Reserved. MC017097E





Nameplate Specifications

| | | | |
|--------------------|------------|---------------------|------------------|
| Output HP | 1/5 Hp | Output KW | 0.15 kW |
| Frequency | 60 Hz | Voltage | 208-230 V |
| Current | 1.4 A | Speed | 1075 rpm |
| Service Factor | 1 | Phase | 1 |
| Duty | Air Over | Insulation Class | B |
| Frame | 48Y | Enclosure | Totally Enclosed |
| Thermal Protection | Automatic | Ambient Temperature | 40 °C |
| UL | Recognized | CSA | Y |
| CE | N | Number of Speeds | 1 |

Technical Specifications

| | | | |
|--------------------|---------------------------|-----------------------|-----------------|
| Electrical Type | Permanent Split Capacitor | Starting Method | Across The Line |
| Poles | 6 | Rotation | Reversible |
| Mounting | Extended Studs | Motor Orientation | Any |
| Drive End Bearing | Ball | Opp Drive End Bearing | Ball |
| Frame Material | Rolled Steel | Shaft Type | Flat |
| Overall Length | 8.49 in | Frame Length | 3.25 in |
| Shaft Diameter | 0.500 in | Shaft Extension | 4.3 in |
| Connection Drawing | 614131-322 | Outline Drawing | ORM10206V1-S01 |

This is an uncontrolled document once printed or downloaded and is subject to change without notice. Date Created:01/04/2022

GENERAL INFORMATION.

SHAFT RUNOUT: .001 [.03] T.I.R. PER INCH LENGTH OF EXTENSION

BEARINGS: BALL

MOUNTING POSITION: ALL ANGLE

ELECTRICAL DATA:

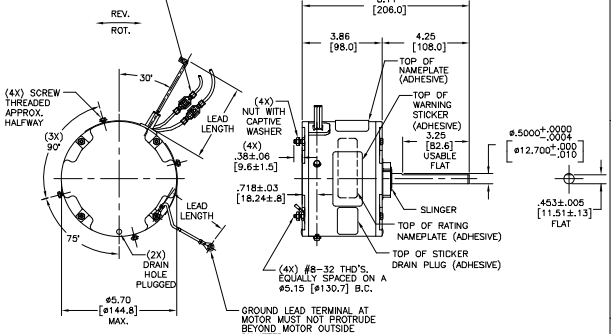
OVERLOAD PROTECTOR: AUTOMATIC RESET (SENSATA 7AM 036)

LEADS: NO. 18 GA., .06 [1.5] THK., PVC 105°C INSUL.

REVERSING LEADS: NO. 18 GA., .03 [.8] THK., XLP 125°C INSUL.

GROUND LEAD: NO. 18 GA., .03 [.8] THK., (GREEN) INSUL.

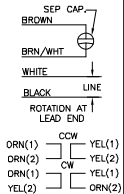
REVERSING LEADS. MOTOR TO BE SHIPPED CONNECTED FOR CCWw ROTATION.



NAMEPLATE DATA:

EXTERNAL CONNECTION DIAGRAM

MODEL NO: F48V61A01
 CUST P/N: DRV10206V1
 HP: 1/5
 ROT: REVERSIBLE
 RPM: 1075
 UF
 TYPE: 48Y
 FRAME: 48Y
 VOLTS: 208-230
 PH: 1
 AMPS: 1.4
 HZ: 60
 INS.: B
 AMB: 40°C
 DUTY: AIR OVER
 CAP.: 5 OR 3MFD/370V
 ENCL: ENCLOSED
 CSA LOGO
 UL LOGO
 THERMALLY PROTECTED



614131-322

| | | | | | | |
|-----------------------|-------------------------|-----------------|---------------------|-------|------------|---------|
| PERFORMANCE CURVE NO. | TORQUE @1075 RPM (25°C) | APPROVED SAMPLE | UL COMPONENT FILE # | CCN # | CSA FILE # | CLASS # |
| C32397 | 17.8 OZ. FT. | 0444592B | E46412 | PRGY2 | LR43341 | 4211-01 |

| | | |
|---------------|-----------------------|-------------------------------|
| GREEN (GRD) | 6.0/7.0 [152/178] | #10 EYELET |
| YELLOW (REV.) | 4.0/5.0 [102/127] | .25 [6.4] INSUL. MALE TAB |
| YELLOW (REV.) | 4.0/5.0 [102/127] | .25 [6.4] INSUL. FEMALE SPADE |
| ORANGE (REV.) | 4.0/5.0 [102/127] | .25 [6.4] INSUL. MALE TAB |
| ORANGE (REV.) | 4.0/5.0 [102/127] | .25 [6.4] INSUL. FEMALE SPADE |
| BROWN/WHITE | 41.0/44.0 [1041/1117] | .25 [6.4] FLAG |
| BROWN | 41.0/44.0 [1041/1117] | .25 [6.4] FLAG |
| WHITE | 41.0/44.0 [1041/1117] | .25 [6.4] FLAG |
| BLACK | 41.0/44.0 [1041/1117] | .25 [6.4] FLAG |
| COLOR | LENGTH | TERMINAL OR STRIP LENGTH |

REGAL-BELT CORPORATION (RBC) PROVIDES TECHNICAL ASSISTANCE TO OUR CUSTOMERS IN SEVERAL AREAS. SINCE RBC DOES NOT RECEIVE ALL DATA CONCERNING THE USE AND APPLICATION OF THE MOTOR, THE SUITABILITY OF THE MOTOR FOR THE APPLICATION MUST BE DETERMINED BY THE CUSTOMER. DIMENSIONS WITHOUT TOLERANCES ARE FOR REFERENCE ONLY.

| ENCLOSURE | |
|------------------|----------|
| END FRAME - LE | ENCLOSED |
| MAIN FRAME - LE | ENCLOSED |
| END FRAME - OLE | ENCLOSED |
| MAIN FRAME - OLE | ENCLOSED |

- NOTES:
1. THE SYMBOL OF CTQ: ▲ (NO CTQ ON THIS DRAWING).
 2. MEET THE REQUIREMENT OF RoHS & REACH, SEE EP000014_5.1.

| | |
|----------|-----------------------|
| CUSTOMER | DISTRIBUTION SERVICES |
|----------|-----------------------|

ISSUING REVISION NUMBER: 03-11-2021
 BY: [Signature]
 DATE: 03-11-2021
 NO. OF REVISED: 1
 APPROVED BY: [Signature]
 DATE: 03-11-2021

ISSUING BY: [Signature]
 DATE: 03-30-2017
 APPROVED BY: [Signature]
 DATE: 03-30-2017
 PROCESSED BY: [Signature]
 DATE: [Signature]
 HARD ANGLE PROJECTION: [Symbol]

Regal Beloit America, Inc.
 MODEL-RFHP-48FR
 OUTLINE
 QRM102026V1