

PRODUCT INFORMATION PACKET



Model No: OHR1106

Catalog No: OHR1106

OEM Replacement Motor, 1 HP, 1 Ph, 60 Hz, 208/230 V, 1075 RPM, 1 Speed, 48 Frame, SEMI ENCLOSED



Regal and Century are trademarks of Regal Rexnord Corporation or one of its affiliated companies.

©2022 Regal Rexnord Corporation, All Rights Reserved. MC017097E





Nameplate Specifications

| | | | |
|--------------------|------------|---------------------|---------------|
| Output HP | 1 Hp | Output KW | 0.75 kW |
| Frequency | 60 Hz | Voltage | 208/230 V |
| Current | 7.1/6.4 A | Speed | 1075 rpm |
| Service Factor | 1 | Phase | 1 |
| Duty | Air Over | Insulation Class | B |
| Frame | 48Y | Enclosure | Semi Enclosed |
| Thermal Protection | Automatic | Ambient Temperature | 50 °C |
| UL | Recognized | CSA | Y |
| CE | N | Number of Speeds | 1 |

Technical Specifications

| | | | |
|-------------------|---------------------------|-----------------------|-----------------|
| Electrical Type | Permanent Split Capacitor | Starting Method | Across The Line |
| Poles | 6 | Rotation | Reversible |
| Mounting | Resilient Base | Motor Orientation | Horizontal |
| Drive End Bearing | Ball | Opp Drive End Bearing | Ball |
| Frame Material | Rolled Steel | Shaft Type | Flat |
| Overall Length | 9.74 in | Frame Length | 4.88 in |
| Shaft Diameter | 0.500 in | Shaft Extension | 3.8 in |
| Outline Drawing | OHR1106-S01 | Connection Drawing | 614131-128 |

This is an uncontrolled document once printed or downloaded and is subject to change without notice. Date Created:11/28/2022

GENERAL INFORMATION:

SHAFT RUNOUT: .001 [.03] T.I.R. PER INCH LENGTH OF EXTENSION

BEARINGS: 203 BALL

MOUNTING POSITION: HORIZONTAL

ELECTRICAL DATA:

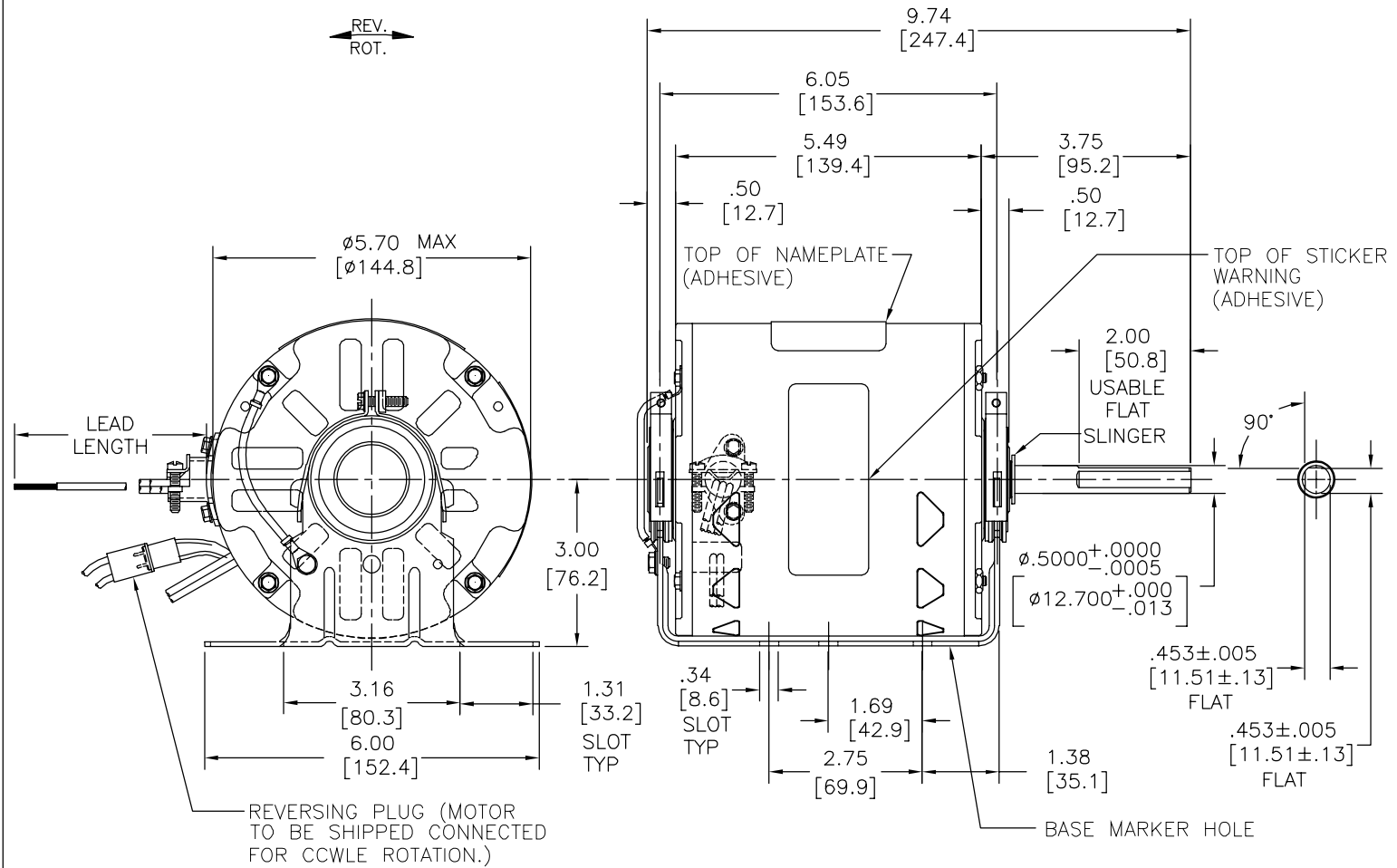
OVERLOAD PROTECTOR: AUTOMATIC RESET (SENSATA 7AM 036)

LEADS: NO. 18 GA., .03 [.8] THK. 125°C INSUL.

GROUND LEAD: NO. 18 GA., .03 [.8] THK. GREEN INSUL.

NOTES:
1. DISTRIBUTION: CUST. P/N: OHR1106
GRAINGER: CUST. P/N: 4UY64

SEE NOTE 1



| GREEN(GRD) | CONNECTED BASE | #10 EYELET |
|-------------|-----------------------|--------------------------|
| BLACK/WHITE | 3.0/5.0 [76/127] | REVERSING PLUG |
| BROWN/WHITE | 47.0/51.0 [1194/1295] | .50 [12.7] SKIN |
| BROWN | 47.0/51.0 [1194/1295] | .50 [12.7] SKIN |
| YELLOW | 47.0/51.0 [1194/1295] | .50 [12.7] SKIN |
| BLACK | 47.0/51.0 [1194/1295] | .50 [12.7] SKIN |
| RED | 47.0/51.0 [1194/1295] | .50 [12.7] SKIN |
| COLOR | LENGTH | TERMINAL OR STRIP LENGTH |

LEAD DATA

| | |
|------------------|-----------|
| MAIN FRAME - OLE | SEMI-ENCL |
| END FRAME - OLE | OPEN |
| MAIN FRAME - LE | SEMI-ENCL |
| END FRAME - LE | OPEN |

ENCLOSURE

| CUSTOMER | DISTRIBUTION SERVICE |
|----------|----------------------|
| | |

NAMEPLATE DATA:

MODEL NO.: F48SQ6V71X2

CUST. P/N: []

HP: 1

ROT.: REVERSIBLE

RPM: 1075

TYPE: UF

FRAME: 48Y

VOLTS: 208-230

PH: 1

AMPS: 7.1/6.4

HZ: 60

INS.: B

AMB.: 50°C

DUTY: AIR OVER

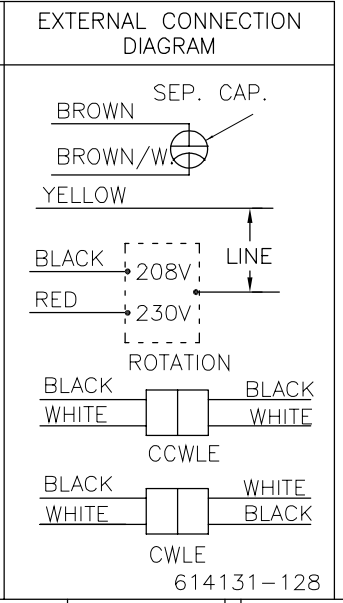
CAP.: 15 MFD/370 V

ENCL: SEMI-ENCL

CSA LOGO

UL LOGO

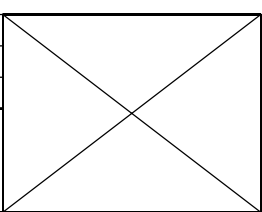
THERMALLY PROTECTED



| PERFORMANCE CURVE NO. | TORQUE @ 1075 RPM (25°C) | APPROVED SAMPLE | UL COMPONENT | | CSA | |
|-----------------------|--------------------------|-----------------|--------------|-------|---------|---------|
| | | | FILE # | CCN# | FILE # | CLASS# |
| C24081 | 88 OZ. FT. | EX12129 | E46412 | PRGY2 | LR43341 | 4211-01 |

| DRAWING REVISION | REVISION BY | DATE |
|------------------|--------------|------------|
| A | D.DUARTE | 10-21-2014 |
| ECO | APPROVED BY | DATE |
| 0061571 | D.VALENCIANO | 10-21-2014 |
| ECO DESCRIPTION | | |
| SEE ECO | | |

COPYRIGHT REGAL BELOIT AMERICA, INC. ALL RIGHTS RESERVED. PROPRIETARY AND CONFIDENTIAL INFORMATION - THIS DOCUMENT IS THE PROPERTY OF REGAL BELOIT AMERICA, INC. (OWNER) AND CONTAINS OWNER'S PROPRIETARY INFORMATION. ANY PERSON, CORPORATION OR OTHER FIRM RECEIVING IT IS DEEMED, BY RECEIVING IT, TO AGREE THAT IT, AND/OR ANY PART OF IT, SHALL NOT BE DISCLOSED TO ANY PERSON, CORPORATION OR OTHER ENTITY, DUPLICATED, AND/OR USED, EXCEPT AS EXPRESSLY APPROVED IN WRITING IN ADVANCE BY OWNER. THIS DOCUMENT SHALL BE RETURNED TO OWNER UPON REQUEST. IT MAY BE SUBJECT TO CERTAIN RESTRICTIONS UNDER APPLICABLE EXPORT CONTROL LAWS AND REGULATIONS.



DRAWN BY: D.DUARTE

DATE: 10-23-2014

APPROVED BY: D.VALENCIANO

DATE: 10-23-2014

PROCESS/FINISH:

THIRD ANGLE PROJECTION

| |
|-----------------------------------------|
| REGAL Regal Beloit America, Inc. |
| DESCRIPTION: MODEL-RFHP-48FR OUTLINE |
| MATERIAL: |
| SIZE DWG NO: OHR1106 |
| SHEET: 1 |