

# PRODUCT INFORMATION PACKET



Model No: OEV6016

Catalog No: OEV6016

OEM Replacement Motor, 1/6 HP, 1 Ph, 60 Hz, 115 V, 1000 RPM, 1 Speed, 42 Frame, OPEN



Regal and Century are trademarks of Regal Rexnord Corporation or one of its affiliated companies.  
©2022 Regal Rexnord Corporation, All Rights Reserved. MC017097E





**Nameplate Specifications**

Output HP	1/6 Hp	Output KW	0.13 kW
Frequency	60 Hz	Voltage	115 V
Current	7.8 A	Speed	1000 rpm
Service Factor	1	Phase	1
Duty	Air Over	Insulation Class	B
Frame	42Y	Enclosure	Open Enclosed
Thermal Protection	Automatic	Ambient Temperature	40 °C
UL	Recognized	CSA	Y
CE	N	Number of Speeds	1

**Technical Specifications**

Electrical Type	Shaded Pole	Starting Method	Across The Line
Poles	6	Rotation	Counterclockwise Lead End
Mounting	Round Belly Band	Motor Orientation	Horizontal
Drive End Bearing	Sleeve	Opp Drive End Bearing	Sleeve
Frame Material	Na	Shaft Type	Flat
Overall Length	9.20 in	Shaft Diameter	0.500 in
Shaft Extension	2.5 in		
Connection Drawing	261B865F01	Outline Drawing	326P157-OL-S01

This is an uncontrolled document once printed or downloaded and is subject to change without notice. Date Created:11/28/2022

4

3

2

1

REV	ECO	REV BY	DATE	APPD	DATE
F	0026399	J.AGUILERA	05-28-2012	R.RASCON	05-28-2012

**GENERAL INFORMATION:**

SHAFT RUNOUT: .001 [.03] T.I.R. PER INCH LENGTH OF EXTENSION

END PLAY: .010 TO .063 [.25 TO 1.60]

BEARINGS: SLEEVE

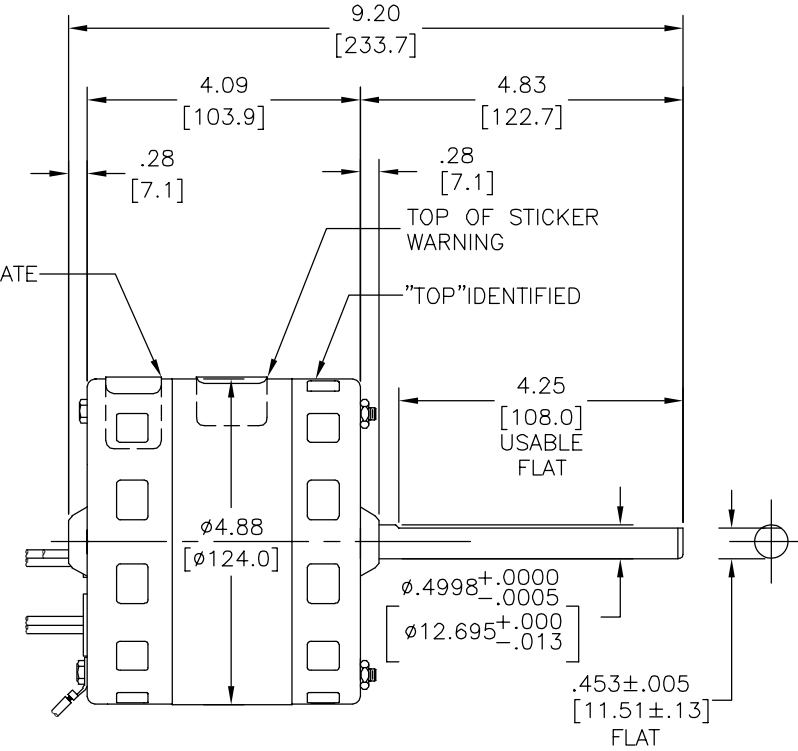
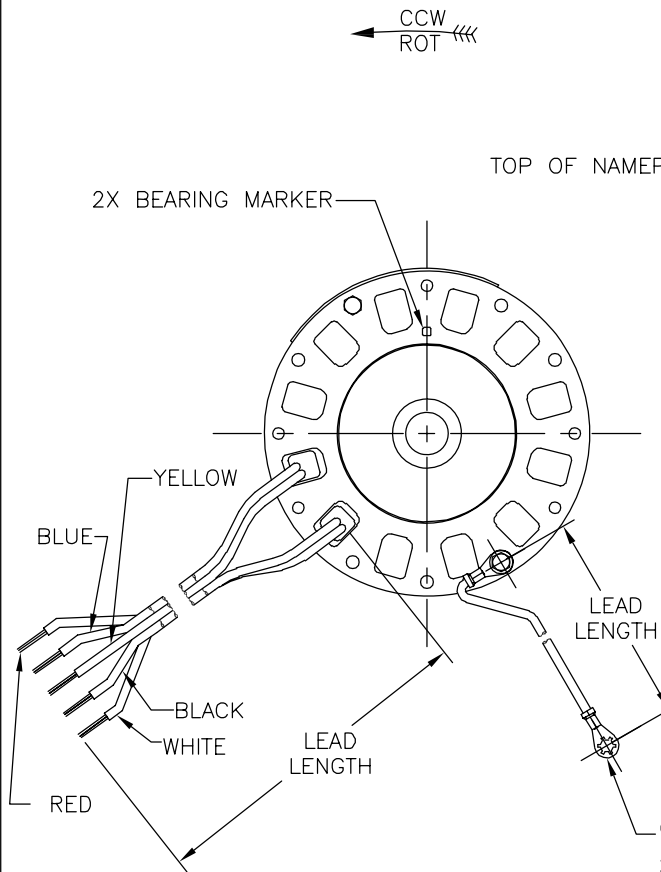
MOUNTING POSITION: HORIZONTAL

**ELECTRICAL DATA:**

OVERLOAD PROTECTOR: AUTOMATIC RESET (T.I. 7AM 304)

LEADS: NO. 18 GA., .06 [1.5] THK. 125°C INSUL.

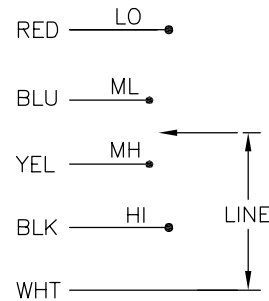
GROUND LEAD: NO. 18 GA., .03 [.8] THK. (GREEN) INSUL.



**NAMEPLATE DATA:**

**EXTERNAL CONNECTION DIAGRAM**

MODEL NO.: 326P157  
 CUST. P/N: OCB6427  
 HP: 1/5  
 ROT.: CCWLE  
 RPM: 1050/4 SPD  
 TYPE: FE  
 FRAME: 42Y  
 VOLTS: 115  
 PH: 1  
 AMPS: 7.8  
 HZ: 60  
 INS.: B  
 AMB.: 40° C  
 DUTY: AIR OVER  
 CAP.: -  
 ENCL: OPEN  
 UL LOGO  
 CSA LOGO  
 THERMALLY PROTECTED TYPE C



COLOR	LENGTH	TERMINAL OR STRIP LENGTH
GREEN(GRD)	9.0/11.0 [229/279]	#10 EYELET
RED	12.0/14.0 [305/356]	.50[12.7] STRIP
BLUE	12.0/14.0 [305/356]	.50[12.7] STRIP
YELLOW	12.0/14.0 [305/356]	.50[12.7] STRIP
BLACK	12.0/14.0 [305/356]	.50[12.7] STRIP
WHITE	12.0/14.0 [305/356]	.50[12.7] STRIP

MAIN FRAME - OLE	OPEN
END FRAME - OLE	OPEN
MAIN FRAME - LE	OPEN
END FRAME - LE	OPEN

CUSTOMER	DISTRIBUTION SERVICE
----------	----------------------

PERFORMANCE CURVE NO.	TORQUE @ 1050 RPM (25°C)	APPROVED SAMPLE	UL COMPONENT		CSA	
C30456	22.8 OZ. FT.	A7229B	FILE #	CCN #	FILE #	CLASS #
			E46412	PRGY2	LR43341	4211-01

**GEOMETRIC CHARACTERISTICS & SYMBOLS**

- ▮ FLATNESS
- STRAIGHTNESS
- ∠ ANGULARITY
- ⊥ PERPENDICULARITY (SQUARENESS)
- ∥ PARALLELISM
- ROUNDNESS (CIRCULARITY)
- ⊘ CYLINDRICITY
- △ PROFILE OF ANY SURFACE
- ∧ PROFILE OF ANY LINE
- ↑ RUNOUT
- ⊕ TRUE POSITION
- ◎ CONCENTRICITY
- = SYMMETRY

ASME Y14.5M 1994

REGAL-BELOIT CORPORATION (RBC) PROVIDES TECHNICAL ASSISTANCE TO OUR CUSTOMERS IN SEVERAL AREAS. SINCE RBC DOES NOT RECEIVE ALL DATA CONCERNING THE USE AND APPLICATION OF THE MOTOR, THE SUITABILITY OF THE MOTOR FOR THE APPLICATION MUST BE DETERMINED BY THE CUSTOMER.

DIMENSIONS WITHOUT TOLERANCES ARE FOR REFERENCE ONLY.

DR BY: W. HEATH 01-08-1988

APPD: M.M.F. 01-19-1988

THIRD ANGLE PROJECTION

EDS DATE 11-11-2011  
 FORMAT REV H

CONFIDENTIAL: THIS DRAWING AND ITS INFORMATION ARE THE EXCLUSIVE AND CONFIDENTIAL PROPERTY OF REGAL-BELOIT CORPORATION AND ARE NOT TO BE DISCLOSED, DUPLICATED, DISTRIBUTED OR OTHERWISE USED WITHOUT THE WRITTEN CONSENT OF REGAL-BELOIT CORPORATION. -ALL RIGHTS RESERVED.

**REGAL REGAL-BELOIT CORPORATION**

DESCRIPTION: MODEL-RFHP-42FR OUTLINE

SIZE C DWG NO 326P157-0L

SCALE NONE SHEET 1

4

3

2

1

4

3

2

1

REVISION:	ECO	REVISADO POR:	FECHA:	APROBADO POR:	FECHA:
F	0026399	J.AGUILERA	05-28-2012	R.RASCON	05-28-2012

**INFORMACION GENERAL:**

OSCILACION DE FLECHA: .001 [.03] L.T.I. LONGITUD DE EXTENSION POR PULG.

JUEGO AXIAL: .010 A .063 [.25 A 1.60]

BALEROS: MANGA

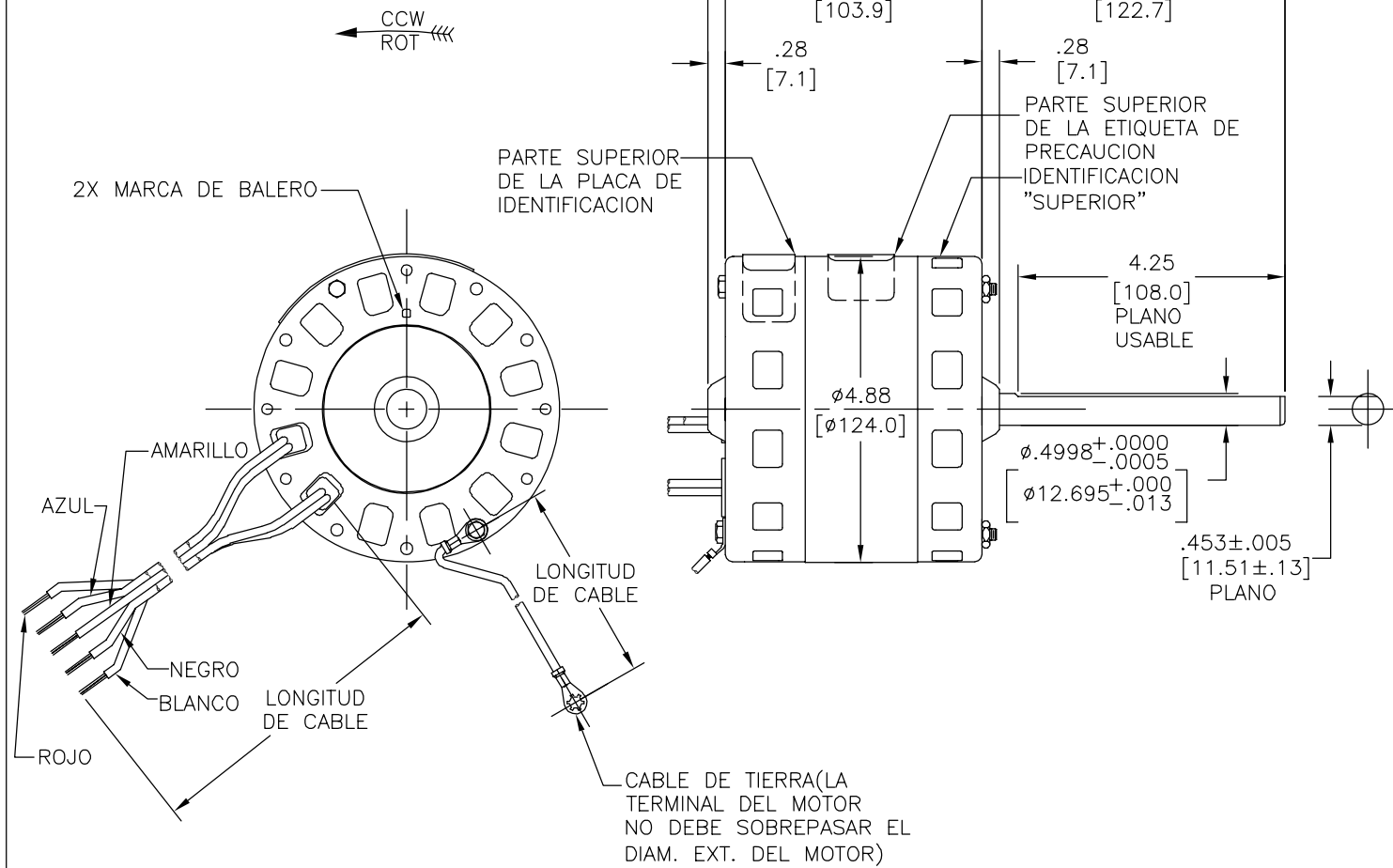
POSICION DEL MONTAJE: HORIZONTAL

**INFORMACION ELECTRICA:**

PROTECTOR DE SOBRECARGA: REINICIO AUTOMATIC (T.I. 7AM 304)

CABLES: NO. 18 GA., .06 [1.5] THK. PVC 125°C AISLAM.

CABLE DE TIERRA: NO. 18 GA., .03 [.8] THK. (VERDE) AISLAM.



VERDE(TIERRA)	9.0/11.0 [229/279]	#10 OJAL
ROJO	12.0/14.0 [305/356]	.50[12.7] DESFORRE
AZUL	12.0/14.0 [305/356]	.50[12.7] DESFORRE
AMARILLO	12.0/14.0 [305/356]	.50[12.7] DESFORRE
NEGRO	12.0/14.0 [305/356]	.50[12.7] DESFORRE
BLANCO	12.0/14.0 [305/356]	.50[12.7] DESFORRE
COLOR	LONGITUD	TERMINAL O LONGITUD DE DESFORRE

CARCASA - LOC	ABIERTO
TAPA - LOC	ABIERTO
CARCASA - LC	ABIERTO
TAPA - LC	ABIERTO

CLIENTE	DISTRIBUTION SERVICE
---------	----------------------

INFORMACION DE ETIQUETA:	DIAGRAMA DE CONEXION EXTERNA
MODEL NO.: 326P157 CUST. P/N: OCB6427 HP: 1/5 ROT.: CCWLE RPM: 1050/4 SPD TYPE: FE FRAME: 42Y VOLTS: 115 PH: 1 AMPS: 7.8 HZ: 60 INS.: B AMB.: 40° C DUTY: AIR OVER CAP.: - ENCL: OPEN UL LOGO CSA LOGO THERMALLY PROTECTED	

CURVAS DE FUNCIONAMIENTO	TORSION @ 1050 RPM (25°C)	MUESTRA APROBADA	COMPONENTE UL	CSA
C30456	22.8 OZ. FT.	A7229B	#ARCHIVO PRGY2	CLASE # 4211-01

CARACTERISTICAS DE GEOMETRIA Y SIMBOLOS ▽ PLANICIDAD — RECTITUD < ANGULARIDAD ⊥ PERPENDICULARIDAD (A ESCUADRA) // PARALELISMO ○ REDONDEZ (CIRCULARIDAD) ∅ CILINDRICIDAD △ PERFIL DE CUALQUIER SUPERFICIE ▲ PERFIL DE CUALQUIER LINEA ↗ VARIACION ⊕ POSICION REAL ⊙ CONCENTRICIDAD = SIMETRIA	REGAL-BELOIT CORPORATION (RBC) PROVEE ASISTENCIA TECNICA A NUESTROS CLIENTES EN VARIAS AREAS, DESDE QUE RBC NO RECIBE TODOS LOS DATOS EN RELACION AL USO Y A LA APLICACION DEL MOTOR, LA APLICACION ADECUADA DEL MOTOR DEBE SER DETERMINADA POR EL CLIENTE.  DIMENSIONES SIN TOLERANCIA SON DE REFERENCIA SOLAMENTE
---	---

DIBUJADO POR: W. HEATH APROBADO POR: M.M.F. TERCER ANGULO DE PROYECCION	01-08-1988 01-19-1988 FECHA EDS: 11-11-2011 REV. FORMATO: H
CONFIDENCIAL: ESTE DIBUJO Y SU INFORMACION SON PROPIEDAD DE USO EXCLUSIVO Y CONFIDENCIAL DE REGAL-BELOIT CORPORATION. Y NO DEBERAN SER REVELADOS, DUPLICADOS, DISTRIBUIDOS O USARSE DE OTRA MANERA SIN EL CONSENTIMIENTO ESCRITO DE REGAL-BELOIT CORPORATION. -TODOS LOS DERECHOS RESERVADOS.	

REGAL-BELOIT CORPORATION	
DESCRIPCION: MODEL-RFHP-42FR OUTLINE	
TAMAÑO: C	NUMERO DE DIBUJO: 326P157-0L
ESCALA: NONE	HOJA: 1

4

3

2

1

4

3

2

1

总技术要求:

轴跳动: .001/1 [.03/25.4] (外伸轴)

端部窜动量: .010 - .063 [.25 - 1.60]

轴承: 含油轴承

安装位置: 水平

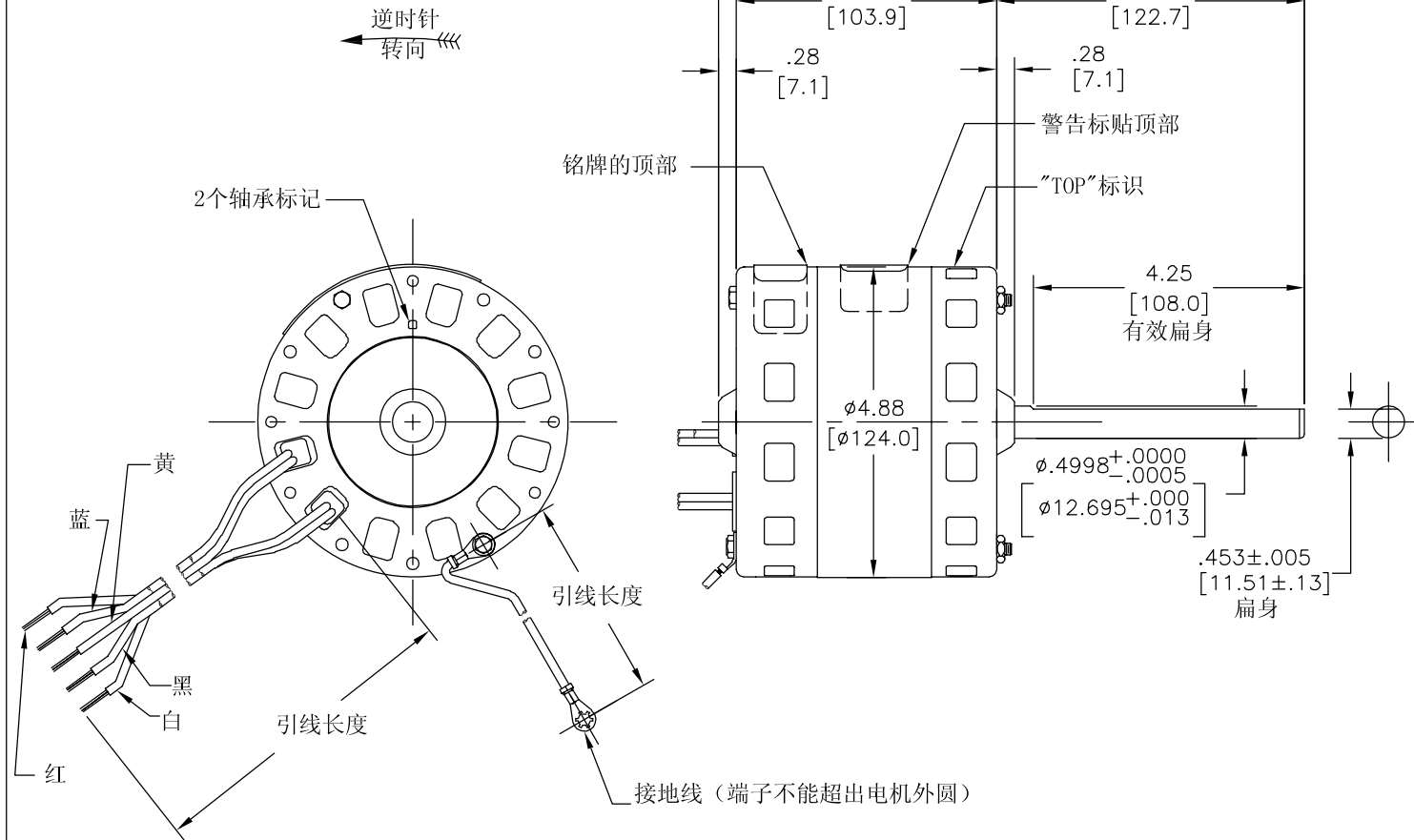
电气数据:

过载保护: 自动复位 (T. I. 7AM 304)

引线: 18GA, 厚.06[1.5] 125°C 绝缘

接地线: 18GA, 厚.03[0.8] 绿色绝缘

版本	ECO	编制	日期	批准	日期
F	0026399	J.AGUILERA	05-28-2012	R.RASCON	05-28-2012



颜色	长度	端子或剥线长度
绿 (接地)	9.0/11.0 [229/279]	#10 金属圈
红	12.0/14.0 [305/356]	.50[12.7]剥线长
蓝	12.0/14.0 [305/356]	.50[12.7]剥线长
黄	12.0/14.0 [305/356]	.50[12.7]剥线长
黑	12.0/14.0 [305/356]	.50[12.7]剥线长
白	12.0/14.0 [305/356]	.50[12.7]剥线长

无引线端机壳	开启
无引线端端盖	开启
有引线端机壳	开启
有引线端端盖	开启

用户	DISTRIBUTION SERVICE
----	----------------------

铭牌数据	外部数据线
MODEL NO.: 326P157 CUST. P/N: OCB6427 HP: 1/5 ROT.: CCWLE RPM: 1050/4 SPD TYPE: FE FRAME: 42Y VOLTS: 115 PH: 1 AMPS: 7.8 HZ: 60 INS.: B AMB.: 40° C DUTY: AIR OVER CAP.: - ENCL: OPEN UL LOGO CSA LOGO THERMALLY PROTECTED	

性能曲线编号	转矩在 @ 1050 RPM (25° C)	批准样品	UL部件		CSA	
C30456	22.8 OZ. FT.	A7229B	文件号	指南	文件号	指南
			E46412	PRGY2	LR43341	4211-01

- 形位公差
- 平面度
- 直线度
- ∠ 倾斜度
- ⊥ 垂直度
- // 平行度
- 圆度
- ⊙ 圆柱度
- ⊖ 面轮廓度
- ⌒ 线轮廓度
- ↗ 圆跳动
- ⊕ 位置度
- ⊗ 同轴度
- ≡ 对称度

ASME Y14.5M 1994

REGAL-BELOIT CORPORATION (RBC) 在个别领域为客户提供技术支持。鉴于RBC未收到任何涉及电机使用和应用环境的数据, 电机的适用性由客户自己决定。

未注公差尺寸仅供参考。

绘图:	W. HEATH	01-08-1988
批准:	M.M.F.	01-19-1988
第三角投影		图纸格式发布日期 11-11-2011 图纸格式版本 H
机密: 本图纸及相关信息所有权归REGAL-BELOIT CORPORATION。未经REGAL-BELOIT CORPORATION书面授权, 不得泄露、复制、传播或作其他用途。—版权所有		

		REGAL-BELOIT CORPORATION	
名称			
MODEL-RFHP-42FR		OUTLINE	
图幅	C	图号	326P157-0L
比例	NONE	页号	1

4

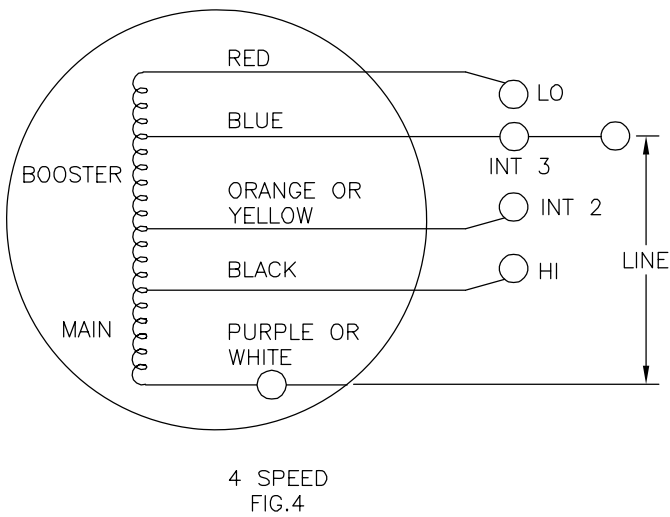
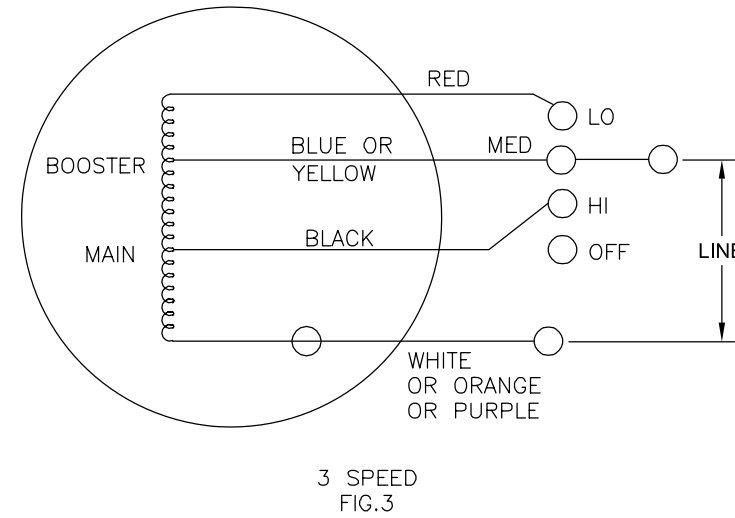
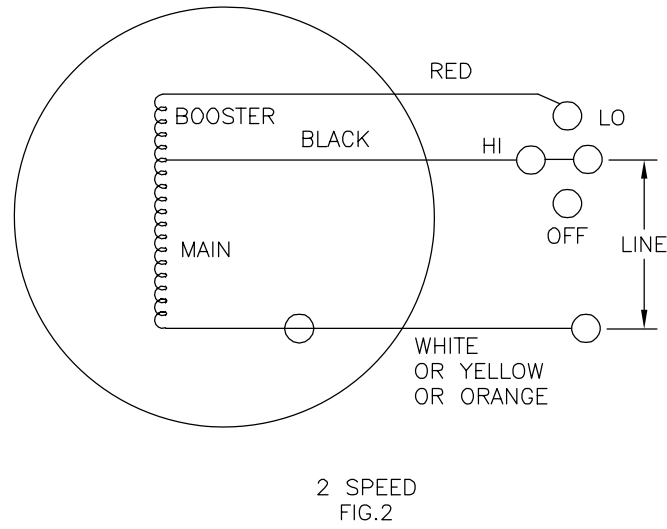
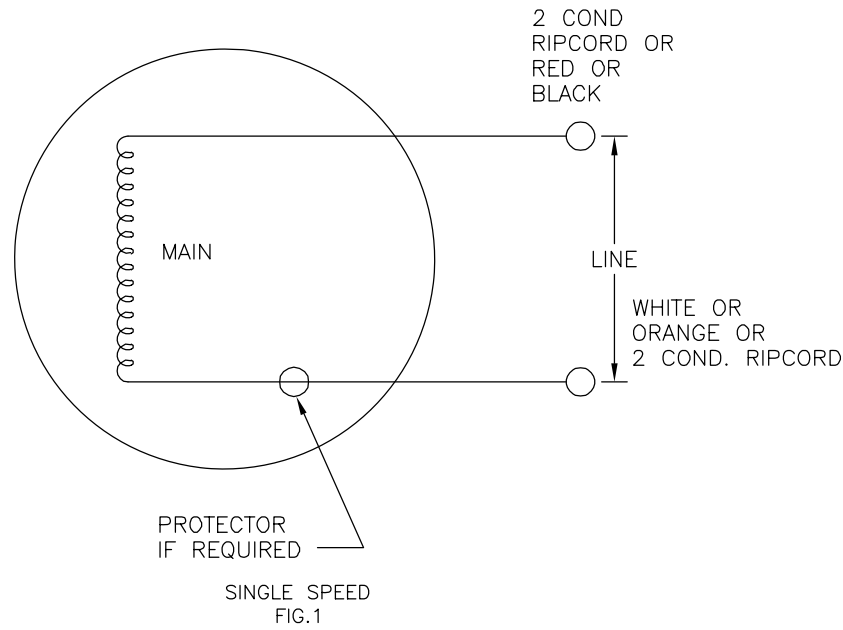
3

2

1

REV	ECO	REV BY	DATE	APPD	DATE
T	ECO-0018824	J.HESS	04-15-2011	J.HESS	04-15-2011

FOR SINGLE SPEED ONLY  
COLOR OF LEADS TO BE OPTIONAL



QUALITY CONTROL NOTE:  
TO CHECK THE WINDINGS FOR OPENS VERIFY THE CONTINUITY AS OUTLINED BELOW.  
FIG.1 BETWEEN WHITE AND BLACK OR WHITE & RED LEADS  
FIG.2, 3 & 4, BETWEEN THE WHITE & RED LEADS.

GEOMETRIC CHARACTERISTICS & SYMBOLS

- ▭ FLATNESS
- STRAIGHTNESS
- ∠ ANGULARITY
- ⊥ PERPENDICULARITY (SQUARENESS)
- ∥ PARALLELISM
- ROUNDNESS (CIRCULARITY)
- ⊘ CYLINDRICITY
- △ PROFILE OF ANY SURFACE
- ∩ PROFILE OF ANY LINE
- ↗ RUNOUT
- ⊕ TRUE POSITION
- ⊙ CONCENTRICITY
- ≡ SYMMETRY

UNLESS OTHERWISE SPECIFIED DIM. TOLERANCES ARE AS FOLLOWS:

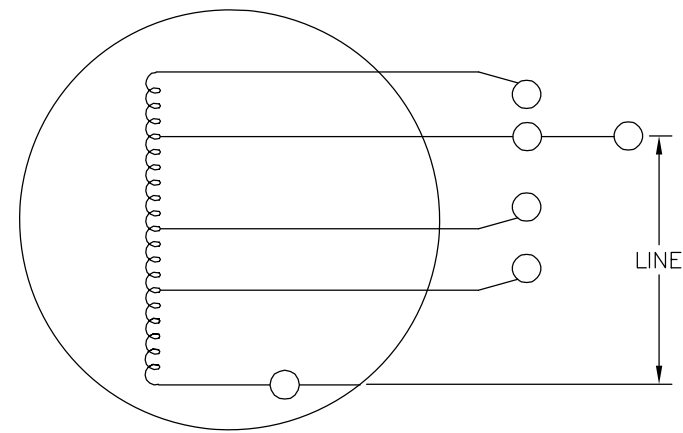
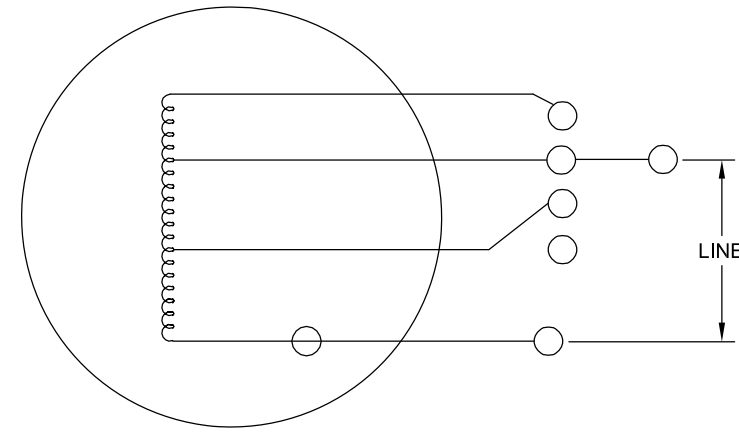
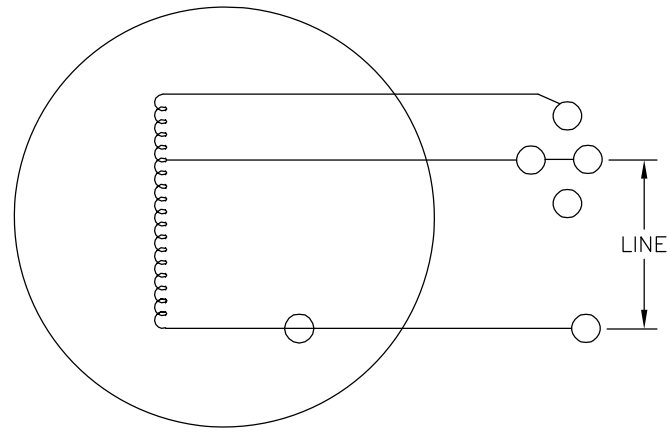
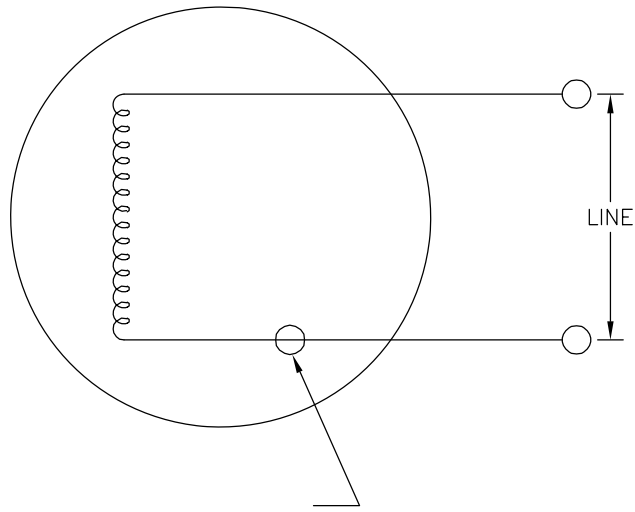
INCH	±.1	±.02	±.005	±.0005
mm	±0.5	±0.13	±0.013	

ANG. ±.50 DEG  
REMOVE BURRS & BREAK SHARP EDGES:  
INCH .003-.015 mm 0.1-0.4  
CORNER FILLETS TO:  
INCH .020 mm 0.5  
MACHINE SURFACES:  
INCH 125 mm 3.2  
METRIC DIMS. SHOWN IN [BRACKETS]

DR BY:	KLINE	10-24-1966
APPD:	RDS	10-27-1966
THIRD ANGLE PROJECTION		EDS DATE 02-22-2008 FORMAT REV F
CONFIDENTIAL: THIS DRAWING AND ITS INFORMATION ARE THE EXCLUSIVE AND CONFIDENTIAL PROPERTY OF A.O. SMITH CORP. AND ARE NOT TO BE DISCLOSED, DUPLICATED, DISTRIBUTED OR OTHERWISE USED WITHOUT THE WRITTEN CONSENT OF A.O. SMITH CORP. -ALL RIGHTS RESERVED. ASME Y14.5M 1994		

	<b>ELECTRICAL PRODUCTS COMPANY</b> <small>A DIVISION OF A. O. SMITH CORPORATION</small>	
	DESCRIPTION CONN DIAGRAM-EXTERNAL	
SIZE C	DWG NO 261B865F01	
SCALE NONE		SHEET 1

REVISION:	ECO	REVISADO POR:	FECHA:	APROBADO POR:	FECHA:
T	ECO-0018824	J.HESS	04-15-2011	J.HESS	04-15-2011



CARACTERISTICAS DE GEOMETRIA Y SIMBOLOS

- ▭ PLANICIDAD
- RECTITUD
- ∠ ANGULARIDAD
- ⊥ PERPENDICULARIDAD (A ESCUADRA)
- // PARALELISMO
- REDONDEZ (CIRCULARIDAD)
- ∅ CILINDRICIDAD
- △ PERFIL DE CUALQUIER SUPERFICIE
- ∩ PERFIL DE CUALQUIER LINEA
- ↑ VARIACION
- ⊕ POSICION REAL
- ◎ CONCENTRICIDAD
- ≡ SIMETRIA

A MENOS QUE SE ESPECIFIQUE DE OTRA MANERA, LAS TOLERANCIAS DE LAS DIMS; SON LAS SIGUIENTES:

PULG	±.1	±.02	±.005	±.0005
mm	±0.5	±0.13	±0.013	


ANG. ± 50 GRADOS  
ELIMINAR REBABAS Y ORILLAS FILOSAS DEL BORDE.

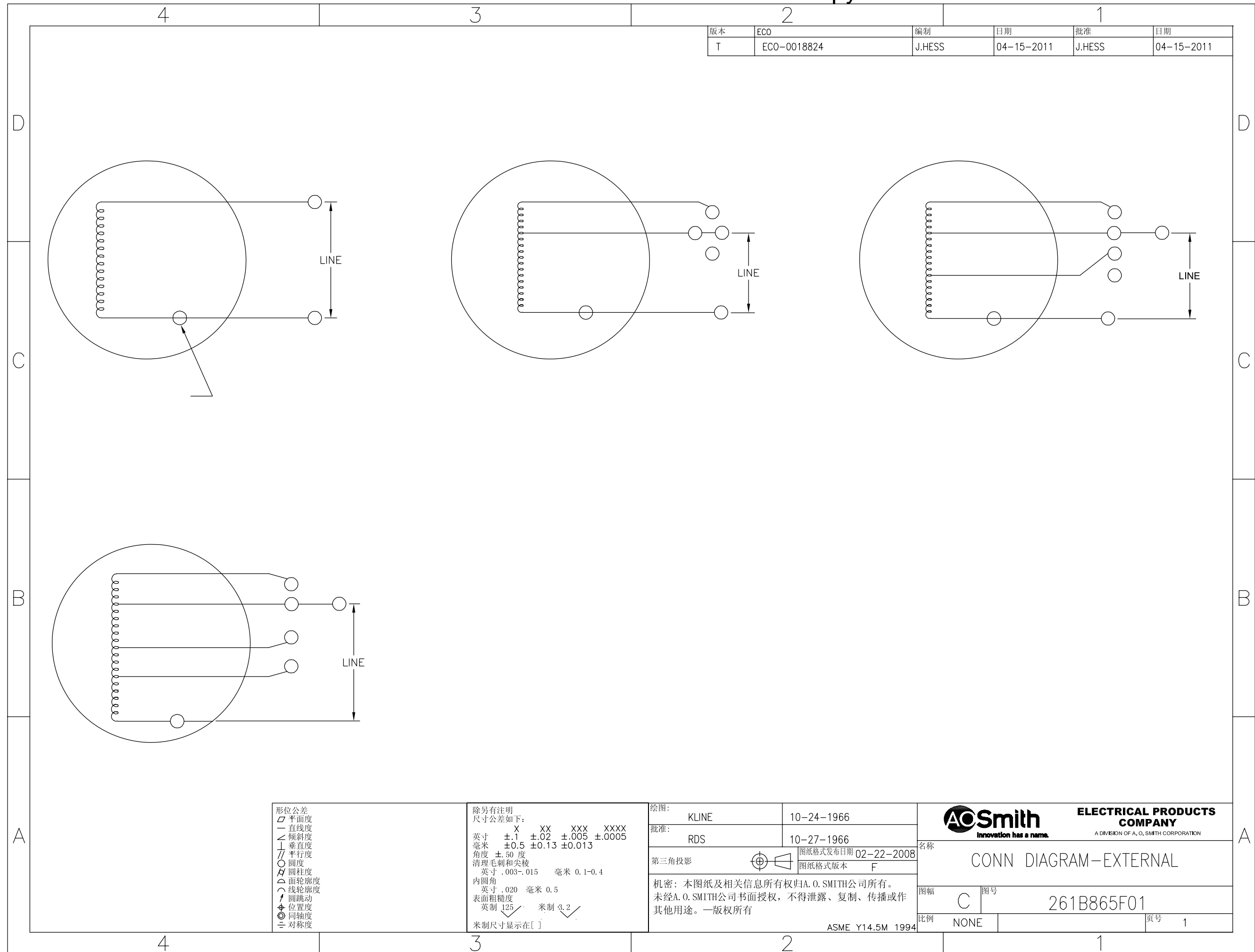
PULG	.003-.015	mm	0.1-0.4
------	-----------	----	---------

FILETEAR ESQUINA: PULG .020 mm 0.5  
MAQUINAR SUPERFICIES  
PULG 125 mm .32

DIMS METRICAS MOSTRADAS [PARENTESIS]

DIBUJADO POR:	KLINE	10-24-1966
APROBADO POR:	RDS	10-27-1966
TERCER ANGULO DE PROYECCION	⊕	FECHA EDS: 02-22-2008 REV. FORMATO: F
CONFIDENCIAL: ESTE DIBUJO Y SU INFORMACION SON PROPIEDAD DE USO EXCLUSIVO Y CONFIDENCIAL DE A.O.SMITH CORP. Y NO DEBERAN SER REVELADOS, DUPLICADOS, DISTRIBUIDOS O USARSE DE OTRA MANERA SIN EL CONSENTIMIENTO ESCRITO DE A.O. SMITH CORP. -TODOS LOS DERECHOS RESERVADOS.ASME Y14.5M 1994		

 <b>ELECTRICAL PRODUCTS COMPANY</b> <small>A DIVISION OF A. O. SMITH CORPORATION</small>	
DESCRIPCION:	
CONN DIAGRAM-EXTERNAL	
TAMAÑO: C	NUMERO DE DIBUJO: 261B865F01
ESCALA:NONE	HOJA: 1



版本	ECO	编制	日期	批准	日期
T	ECO-0018824	J.HESS	04-15-2011	J.HESS	04-15-2011

形位公差	除另有注明
□ 平面度	尺寸公差如下:
— 直线度	英寸 X XX XXX XXXX
∠ 倾斜度	英寸 ±.1 ±.02 ±.005 ±.0005
⊥ 垂直度	毫米 ±0.5 ±0.13 ±0.013
// 平行度	角度 ±.50 度
○ 圆度	清理毛刺和尖棱
⊘ 圆柱度	英寸 .003-.015 毫米 0.1-0.4
△ 内圆角	英寸 .020 毫米 0.5
∩ 面轮廓度	表面粗糙度
∩ 线轮廓度	英制 125 米制 3.2
↗ 圆跳动	米制尺寸显示在 [ ]
⊕ 位置度	
◎ 同轴度	
≡ 对称度	

绘图:	KLINE	10-24-1966
批准:	RDS	10-27-1966
第三角投影		图纸格式发布日期 02-22-2008 图纸格式版本 F

机密: 本图纸及相关信息所有权归A. O. SMITH公司所有。未经A. O. SMITH公司书面授权, 不得泄露、复制、传播或作其他用途。—版权所有	
ASME Y14.5M 1994	

		<b>ELECTRICAL PRODUCTS COMPANY</b> A DIVISION OF A. O. SMITH CORPORATION	
名称 CONN DIAGRAM-EXTERNAL			
图幅 C	图号 261B865F01		比例 NONE
			页号 1