

# PRODUCT INFORMATION PACKET



Model No: OCP0251

Catalog No: OCP0251

OEM Replacement Motor, 1/6 HP, 1 Ph, 60 Hz, 230 V, 1400/1625 RPM, 1 Speed, 42 Frame, OPEN



Regal and Century are trademarks of Regal Rexnord Corporation or one of its affiliated companies.

©2023 Regal Rexnord Corporation, All Rights Reserved. MC017097E





**Nameplate Specifications**

Phase	1	Output HP	1/6 Hp
Output KW	0.13 kW	Voltage	230 V
Speed	1400/1625 rpm	Service Factor	1
Frame	42Y	Enclosure	Open Enclosed
Thermal Protection	Automatic	Ambient Temperature	40 °C
Frequency	60 Hz	Current	1.5 A
Duty	Air Over	Insulation Class	B
UL	Recognized	CSA	Y
CE	N	Number of Speeds	1

**Technical Specifications**

Electrical Type	Permanent Split Capacitor	Starting Method	Across The Line
Poles	4	Rotation	Clockwise Lead End
Mounting	Resilient Base	Motor Orientation	Horizontal
Drive End Bearing	Sleeve	Opp Drive End Bearing	Sleeve
Frame Material	Na	Shaft Type	Double Flat
Overall Length	7.42 in	Shaft Diameter	0.500 in
Shaft Extension	3 in		
Connection Drawing	2494A79F01	Outline Drawing	11899-003-S01

This is an uncontrolled document once printed or downloaded and is subject to change without notice. Date Created:08/24/2023

4

3

2

1

REV	ECO	REV BY	DATE	APPD	DATE
F	0026391	H.REN	05-28-2012	B.SHEN	05-28-2012

GENERAL INFORMATION:

SHAFT RUNOUT: .001 [.03] T.I.R. PER INCH LENGTH OF EXTENSION

END PLAY: .010 TO .063 [.25 TO 1.60]

BEARINGS: SLEEVE

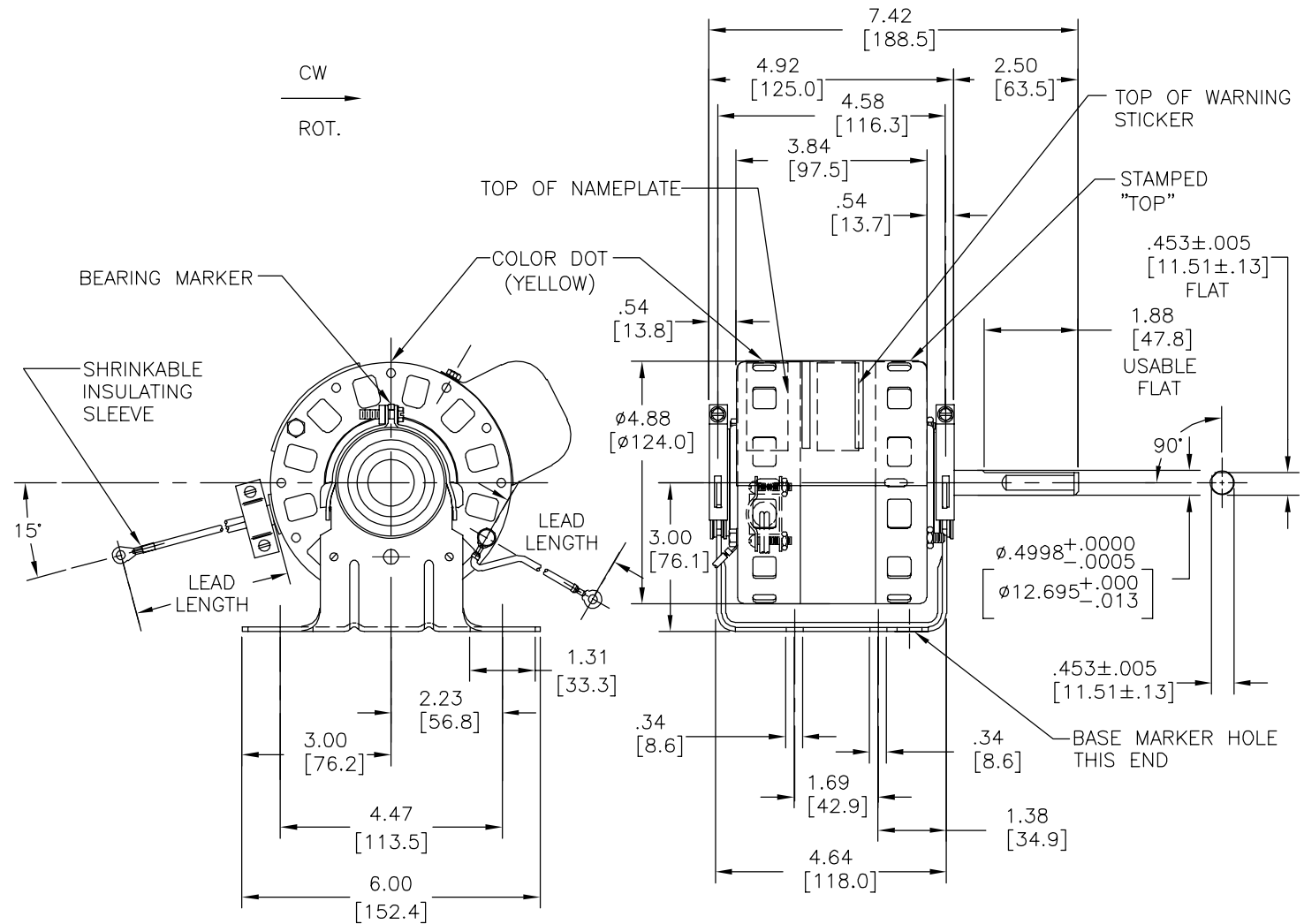
MOUNTING POSITION: HORIZONTAL

ELECTRICAL DATA:

OVERLOAD PROTECTOR: AUTOMATIC RESET (T.I. 7AM 304)

LEADS: NO. 18 GA., .03[.8] THK. CROSS-LINKED POLYETHELENE 125°C INSUL.

GROUND LEAD: NO. 18 GA., .03 [.8] THK. (GREEN) INSUL.

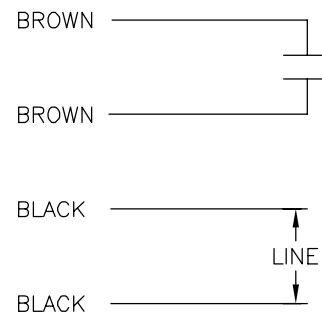


SEE NOTE 1

NAMEPLATE DATA:

EXTERNAL CONNECTION DIAGRAM

MODEL NO.: F42E90A01  
 CUST. P/N:   
 HP: 1/6  
 ROT.: CWLE  
 RPM: 1400/1625  
 TYPE: FLL  
 FRAME: 42Y  
 VOLTS: 230  
 PH: 1  
 AMPS: 1.5  
 HZ: 50/60  
 INS.: B  
 AMB.: 40 °C  
 DUTY: AIR OVER  
 CODE: -  
 CAP.: 5 MFD/370V  
 ENCL: OPEN  
 CSA LOGO  
 UL LOGO  
 THERMALLY PROTECTED  
 TYPE C



GREEN(GROUND)	5.5/6.5 [140/165]	.328[8.33] I.D. EYELET
BROWN	CONNECTED TO CAPACITOR	.25[6.3] FLAG
BROWN	CONNECTED TO CAPACITOR	.25[6.3] FLAG
BLACK	47/50 [1193/1270]	#10 EYELET
BLACK	47/50 [1193/1270]	#10 EYELET
COLOR	LENGTH	TERMINAL OR STRIP LENGTH

NOTE:  
 1. DISTRIBUTION PART NUMBER: OCP0251  
 GRAINGER PART NUMBER: 4UY90

MAIN FRAME - OLE	OPEN
END FRAME - OLE	OPEN
MAIN FRAME - LE	OPEN
END FRAME - LE	OPEN

CUSTOMER	DISTRIBUTION SERVICES
----------	-----------------------

PERFORMANCE CURVE NO.	TORQUE @ 1625 RPM (25°C)	APPROVED SAMPLE	UL COMPONENT FILE #	GUIDE#	CSA FILE #	GUIDE #
C32180	- . - OZ. FT.	PSE7739	E46412	PRGY2	LR43341	4211-01

GEOMETRIC CHARACTERISTICS & SYMBOLS  
 ▮ FLATNESS  
 - STRAIGHTNESS  
 ∠ ANGULARITY  
 ⊥ PERPENDICULARITY (SQUARENESS)  
 // PARALLELISM  
 ○ ROUNDNESS (CIRCULARITY)  
 ∅ CYLINDRICITY  
 △ PROFILE OF ANY SURFACE  
 ∩ PROFILE OF ANY LINE  
 ↗ RUNOUT  
 ⊕ TRUE POSITION  
 ⊙ CONCENTRICITY  
 = SYMMETRY  
 ASME Y14.5M 1994

REGAL-BELOIT CORPORATION (RBC) PROVIDES TECHNICAL ASSISTANCE TO OUR CUSTOMERS IN SEVERAL AREAS. SINCE RBC DOES NOT RECEIVE ALL DATA CONCERNING THE USE AND APPLICATION OF THE MOTOR, THE SUITABILITY OF THE MOTOR FOR THE APPLICATION MUST BE DETERMINED BY THE CUSTOMER.  
 DIMENSIONS WITHOUT TOLERANCES ARE FOR REFERENCE ONLY.

DR BY: KG 06-23-2003  
 APPD: TR 07-01-2003  
 THIRD ANGLE PROJECTION  
 EDS DATE 11-11-2011  
 FORMAT REV H  
 CONFIDENTIAL: THIS DRAWING AND ITS INFORMATION ARE THE EXCLUSIVE AND CONFIDENTIAL PROPERTY OF REGAL-BELOIT CORPORATION AND ARE NOT TO BE DISCLOSED, DUPLICATED, DISTRIBUTED OR OTHERWISE USED WITHOUT THE WRITTEN CONSENT OF REGAL-BELOIT CORPORATION. -ALL RIGHTS RESERVED.

**REGAL** REGAL-BELOIT CORPORATION  
 DESCRIPTION: MODEL-RFHP-42FR OUTLINE  
 SIZE: C DWG NO: 11899-003  
 SCALE: NONE SHEET: 1

4

3

2

1

4

3

2

1

INFORMACION GENERAL:

OSCILACION DE FLECHA: .001 [.03] L.T.I. POR LONGITUD DE EXTENSION

JUEGO AXIAL: .010 A .063 [.25 A 1.60]

BALEROS: MANGA

POSICION DEL MONTAJE: HORIZONTAL

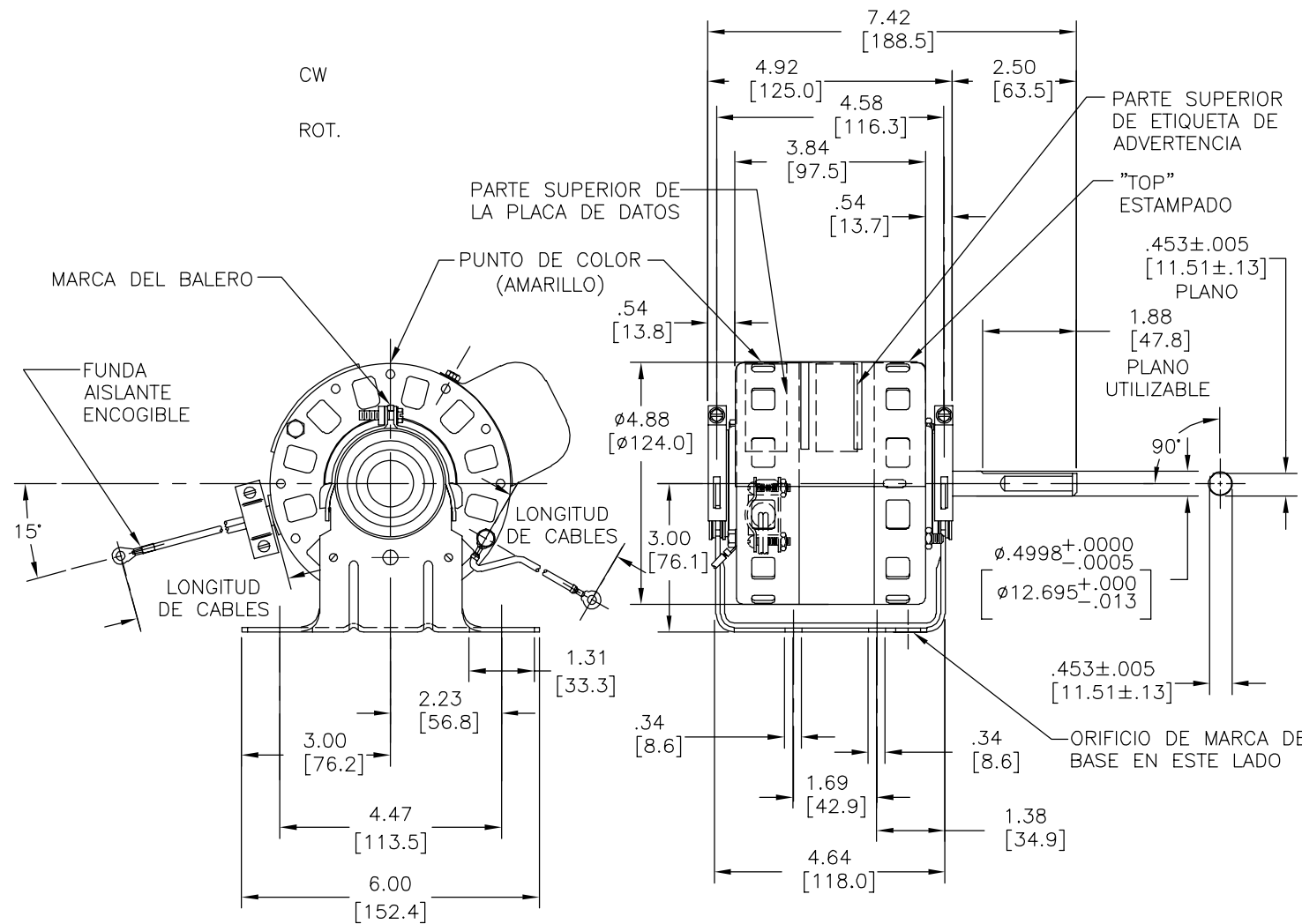
INFORMACION ELECTRICA:

SOBRECARGA DEL PROTECTOR: REINICIO AUTOMATICO (T.I. 7AM 304)

CABLES: CALIBRE 18 AISLANTE .03[.8] GROSOR POLIETILENO CRUZADO UNIDO 125°C.

CABLE DE TIERRA: CALIBRE 18 AISLANTE .03[.8] GROSOR (VERDE).

REVISION:	ECO	REVISADO POR:	FECHA:	APROBADO POR:	FECHA:
F	0026391	H.REN	05-28-2012	B.SHEN	05-28-2012



VER NOTA 1

INFORMACION DE PLACA DE DATOS	DIAGRAMA DE CONEXION EXTERNA
MODEL NO.: F42E90A01 CUST. P/N: <span style="border: 1px dashed black; padding: 2px;"> </span> HP: 1/6 ROT.: CWLE RPM: 1400/1625 TYPE: FLL FRAME: 42Y VOLTS: 230 PH: 1 AMPS: 1.5 HZ: 50/60 INS.: B AMB.: 40 °C DUTY: AIR OVER CODE: - CAP.: 5 MFD/370V ENCL: OPEN CSA LOGO UL LOGO THERMALLY PROTECTED TYPE C	

VERDE (TIERRA)	5.5/6.5 [140/165]	.328[8.33] DIAMETRO INTERNO DE OJAL
CAFE	CONECTADO AL CAPACITOR	.25[6.3] BANDERA
CAFE	CONECTADO AL CAPACITOR	.25[6.3] BANDERA
NEGRO	47/50 [1193/1270]	OJAL #10
NEGRO	47/50 [1193/1270]	OJAL #10
COLOR	LONGITUD	TERMINAL O LONGITUD DE DESFORRE

NOTA:  
 1. NUMERO DE PARTE DE DISTRIBUCION: OCP0251  
 NUMERO DE PARTE GRAINGER: 4UY40

CARCAZA - OLE	ABIERTO
TAPA - OLE	ABIERTO
CARCAZA - LE	ABIERTO
TAPA - LE	ABIERTO

CLIENTE	DISTRIBUTION SERVICES
---------	-----------------------

CARACTERISTICAS DE GEOMETRIA Y SIMBOLOS  
 ✓ PLANICIDAD  
 - RECTITUD  
 < ANGULARIDAD  
 ⊥ PERPENDICULARIDAD (A ESCUADRA)  
 // PARALELISMO  
 ○ REDONDEZ (CIRCULARIDAD)  
 ∅ CILINDRICIDAD  
 △ PERFIL DE CUALQUIER SUPERFICIE  
 ∩ PERFIL DE CUALQUIER LINEA  
 ↗ VARIACION  
 ⊕ POSICION REAL  
 ⊙ CONCENTRICIDAD  
 = SIMETRIA  
 ASME Y14.5M 1994

REGAL-BELOIT CORPORATION (RBC) PROVEE ASISTENCIA TECNICA A NUESTROS CLIENTES EN VARIAS AREAS. DESDE QUE RBC NO RECIBE TODOS LOS DATOS EN RELACION AL USO Y A LA APLICACION DEL MOTOR, LA APLICACION ADECUADA DEL MOTOR DEBE SER DETERMINADA POR EL CLIENTE.

DIMENSIONES SIN TOLERANCIA SON DE REFERENCIA SOLAMENTE

DIBUJADO POR: KG	06-23-2003
APROBADO POR: TR	07-01-2003
TERCER ANGULO DE PROYECCION	FECHA EDS: 11-11-2011 REV. FORMATO: H
CONFIDENCIAL: ESTE DIBUJO Y SU INFORMACION SON PROPIEDAD DE USO EXCLUSIVO Y CONFIDENCIAL DE REGAL-BELOIT CORPORATION. Y NO DEBERAN SER REVELADOS, DUPLICADOS, DISTRIBUIDOS O USARSE DE OTRA MANERA SIN EL CONSENTIMIENTO ESCRITO DE REGAL-BELOIT CORPORATION. -TODOS LOS DERECHOS RESERVADOS.	

<b>REGAL REGAL-BELOIT CORPORATION</b>	
DESCRIPCION: MODEL-RFHP-42FR OUTLINE	
TAMAÑO: C	NUMERO DE DIBUJO: 11899-003
ESCALA: NONE	HOJA: 1

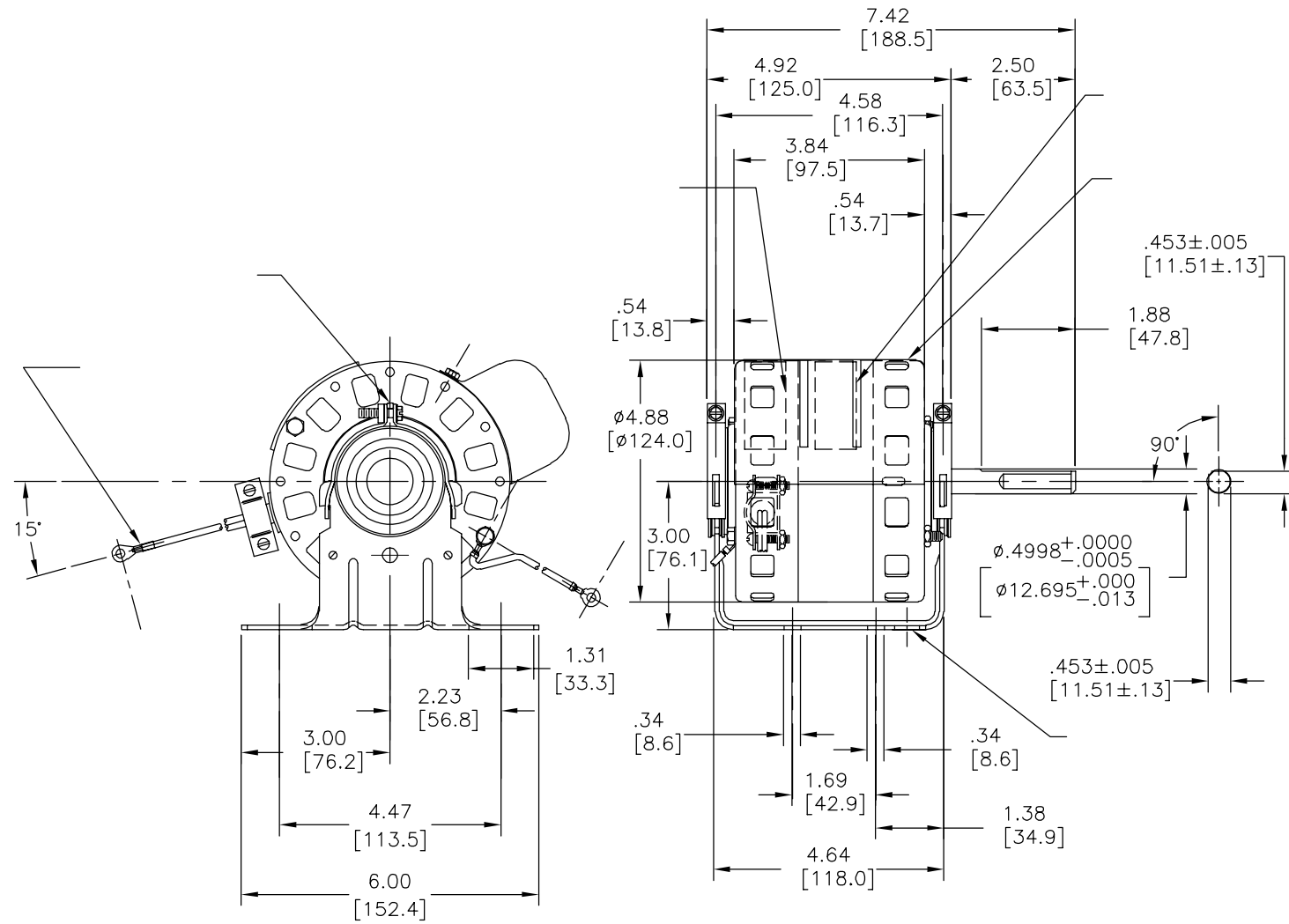
4

3

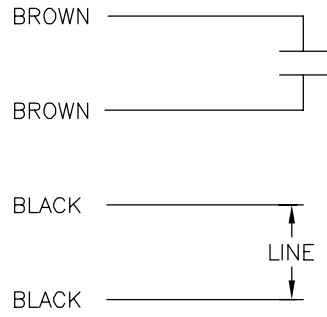
2

1

版本	ECO	编制	日期	批准	日期
F	0026391	H.REN	05-28-2012	B.SHEN	05-28-2012



MODEL NO.: F42E90A01  
 CUST. P/N:   
 HP: 1/6  
 ROT.: CWLE  
 RPM: 1400/1625  
 TYPE: FLL  
 FRAME: 42Y  
 VOLTS: 230  
 PH: 1  
 AMPS: 1.5  
 HZ: 50/60  
 INS.: B  
 AMB.: 40 °C  
 DUTY: AIR OVER  
 CODE: -  
 CAP.: 5 MFD/370V  
 ENCL: OPEN  
 CSA LOGO  
 UL LOGO  
 THERMALLY PROTECTED  
 TYPE C



	5.5/6.5	
	[140/165]	
	47/50	
	[1193/1270]	
	47/50	
	[1193/1270]	
COLOR		

C32180	- . - OZ. FT.	PSE7739	E46412	PRGY2	LR43341	4211-01
--------	---------------	---------	--------	-------	---------	---------

- 形位公差
- 平面度
  - 直线度
  - ∠ 倾斜度
  - ⊥ 垂直度
  - // 平行度
  - 圆度
  - ⊘ 圆柱度
  - △ 面轮廓度
  - ∩ 线轮廓度
  - ↗ 圆跳动
  - ⊕ 位置度
  - ⊙ 同轴度
  - ≡ 对称度

ASME Y14.5M 1994

REGAL-BELOIT CORPORATION  
 (RBC) 在个别领域为客户  
 提供技术支持。鉴于RBC  
 未收到任何涉及电机使用和  
 应用环境的数据，电机的适用性  
 由客户自己决定。

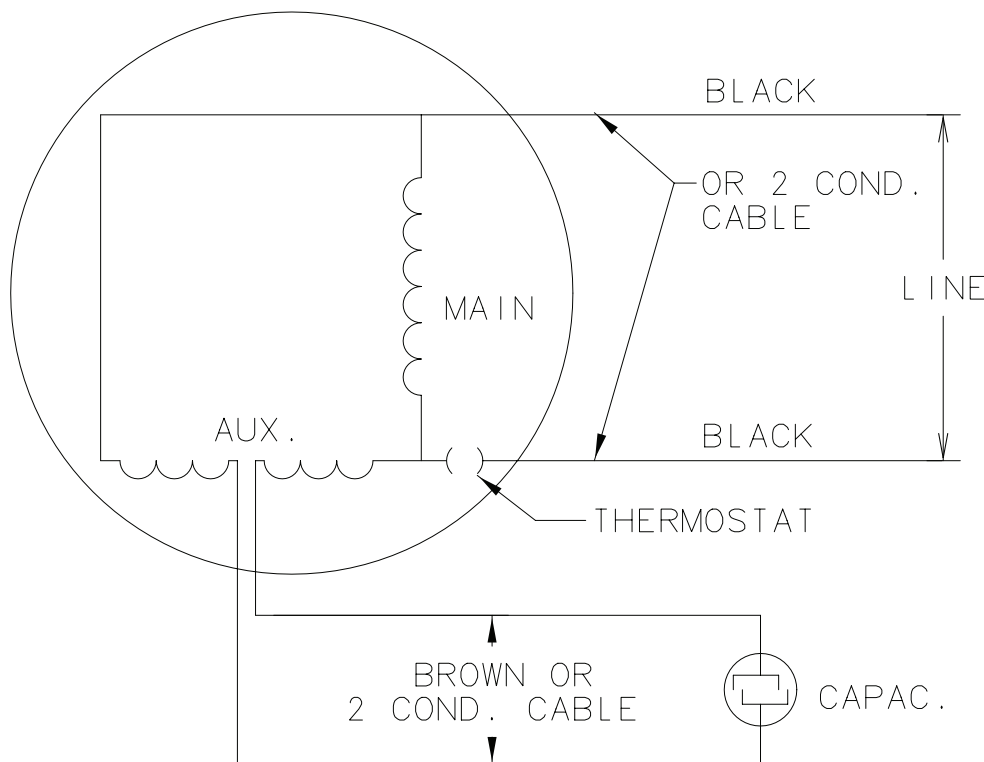
未注公差尺寸仅供参考。

绘图:	KG	06-23-2003
批准:	TR	07-01-2003
第三角投影		图纸格式发布日期 11-11-2011 图纸格式版本 H
机密: 本图纸及相关信息所有权归REGAL-BELOIT CORPORATION。 未经REGAL-BELOIT CORPORATION书面授权，不得泄露、 复制、传播或作其他用途。—版权所有		


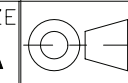


名称	MODEL-RFHP-42FR OUTLINE	
图幅	C	图号 11899-003
比例	NONE	页号 1

QUALITY CONTROL NOTE:  
TO CHECK THE WDGS. FOR OPENS,  
VERIFY THE CONTINUITY BETWEEN  
THE TWO CAPACITOR LEADS



A	06/23/03	REDRAWN TO CAD	-	KAG	0343652
	DATE	CHANGED FROM	ENG	DRF	NOTICE
			APPROVED		

GEOMETRIC CHARACTERISTICS & SYMBOLS □ FLATNESS — STRAIGHTNESS < ANGULARITY ⊥ PERPENDICULARITY (SQUARENESS) // PARALLELISM ○ ROUNDNESS (CIRCULARITY) ⌀ CYLINDRICITY △ PROFILE OF ANY SURFACE ◌ PROFILE OF ANY LINE ↗ RUNOUT ⊕ TRUE POSITION ◎ CONCENTRICITY = SYMMETRY	UNLESS OTHERWISE SPECIFIED DIMENSION TOLERANCES ARE AS FOLLOWS .X .XX .XXX INCHES ±.02 ±.005 METRIC ±.5 ±.13 ANGLES ±.50 DEG REMOVE BURRS AND BREAK SHARP EDGES .003-.015. CORNER FILLETS TO .020 MACHINE SURFACES 125✓	MATERIAL -	DRAWN KLINE 07/02/75 APPROVED CORBIN 01/05/75	<b>A.O. SMITH</b> A DIVISION OF A.O. SMITH CORPORATION <b>ELECTRICAL PRODUCTS COMPANY</b> TIPP CITY, OHIO  COPYRIGHT 1995
	CONFIDENTIAL: THIS DRAWING AND ITS INFORMATION ARE THE EXCLUSIVE AND CONFIDENTIAL PROPERTY OF A.O. SMITH CORP. AND ARE NOT TO BE DISCLOSED, DUPLICATED, DISTRIBUTED OR OTHERWISE USED WITHOUT THE WRITTEN CONSENT OF A.O. SMITH CORP. - ALL RIGHTS RESERVED	PROCESS -	REFERENCE -	DESCRIPTION CONN. DIAG.
	APPLICATION -	USER/F I ER42 / CONEXT	SIZE <b>A</b> 	PART NUMBER 2494A79
	SCALE -	NOTICE -	SHEET -	