

# PRODUCT INFORMATION PACKET



Model No: OCD1056  
Catalog No: OCD1056

OEM Replacement Motor, 1/2 HP, 1 Ph, 60 Hz, 208-230 V, 1075 RPM, 1 Speed, 48 Frame, OAO



Regal and Century are trademarks of Regal Rexnord Corporation or one of its affiliated companies.  
©2022 Regal Rexnord Corporation, All Rights Reserved. MC017097E





**Nameplate Specifications**

|                    |            |                     |               |
|--------------------|------------|---------------------|---------------|
| Output HP          | 1/2 Hp     | Output KW           | 0.37 kW       |
| Frequency          | 60 Hz      | Voltage             | 208-230 V     |
| Current            | 4.0 A      | Speed               | 1075 rpm      |
| Service Factor     | 1          | Phase               | 1             |
| Duty               | Air Over   | Insulation Class    | B             |
| Frame              | 48         | Enclosure           | Open Air Over |
| Thermal Protection | Automatic  | Ambient Temperature | 60 °C         |
| UL                 | Recognized | CSA                 | Y             |
| CE                 | N          | Number of Speeds    | 1             |

**Technical Specifications**

|                   |                           |                       |                    |
|-------------------|---------------------------|-----------------------|--------------------|
| Electrical Type   | Permanent Split Capacitor | Starting Method       | Across The Line    |
| Poles             | 6                         | Rotation              | Clockwise Lead End |
| Mounting          | Round Belly Band          | Motor Orientation     | Vertical Shaft Up  |
| Drive End Bearing | Ball                      | Opp Drive End Bearing | Ball               |
| Frame Material    | Rolled Steel              | Shaft Type            | Flat               |
| Overall Length    | 12.28 in                  | Frame Length          | 6.63 in            |
| Shaft Diameter    | 0.500 in                  | Shaft Extension       | 4.4 in             |
| Outline Drawing   | F48SQ6V28-S01             | Connection Drawing    | 615248             |

This is an uncontrolled document once printed or downloaded and is subject to change without notice. Date Created:11/28/2022

4

3

2

1

| REV | ECO     | REV BY      | DATE       | APPD     | DATE       |
|-----|---------|-------------|------------|----------|------------|
| B   | 0025554 | O. CARVAJAL | 05-01-2012 | M. AVILA | 05-01-2012 |

GENERAL INFORMATION:

SHAFT RUNOUT: .001 [.03] T.I.R. PER INCH LENGTH OF EXTENSION

BEARINGS: 203 BALL-DOUBLE SEALED

MOUNTING POSITION: VERTICAL-SHAFT UP

ELECTRICAL DATA:

OVERLOAD PROTECTOR: AUTOMATIC RESET (T.I. 7AM 036)

LEADS: NO. 18 GA., .03 [.8] XLP. 125°C INSUL.

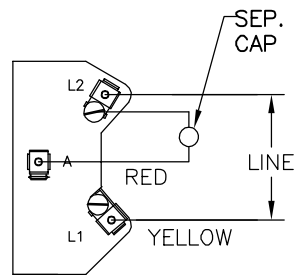
NOTES:  
1. DISTRIBUTION CUST. P/N: OCD1056  
GRAINGER CUST. P/N: 4UY53

SEE NOTE 1

NAMEPLATE DATA:

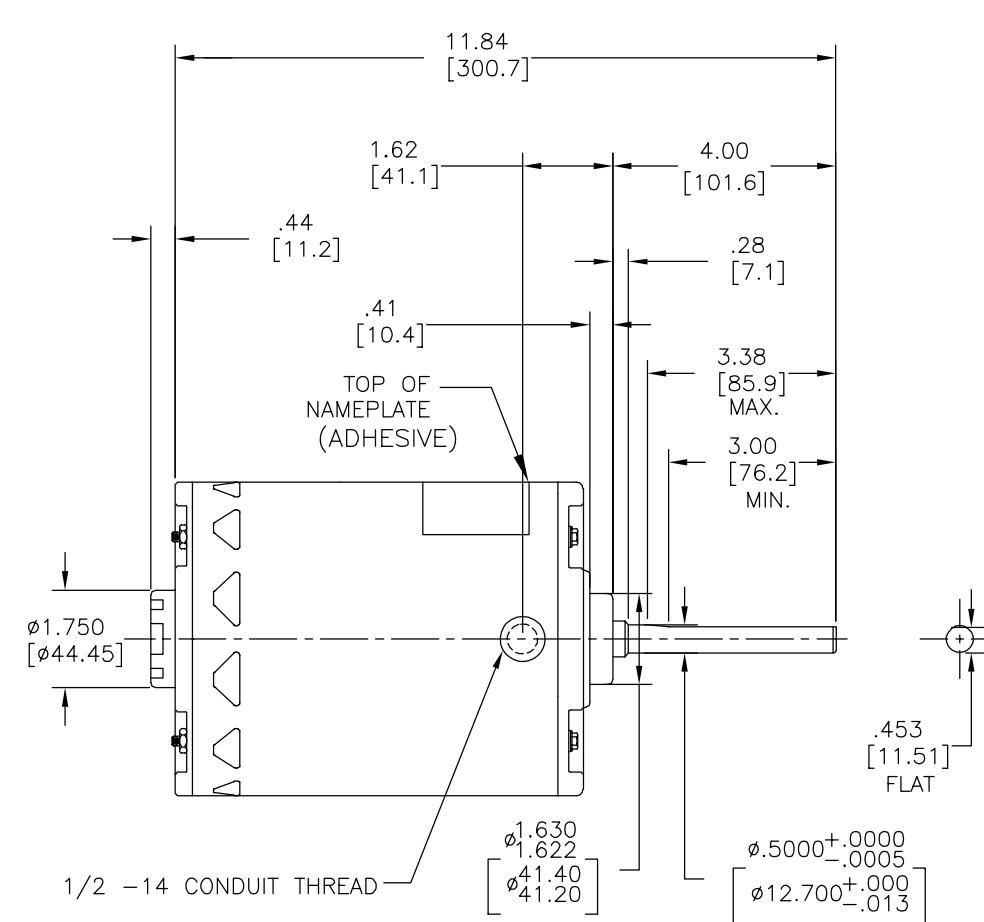
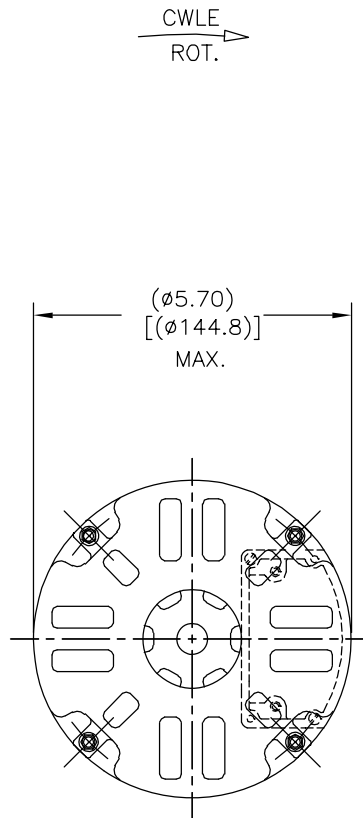
EXTERNAL CONNECTION DIAGRAM

MODEL NO.: F48SQ6V28  
CUST. P/N: [ ]  
HP: 1/2  
ROT.: CWLE  
RPM: 1075  
TYPE: UF  
FRAME: 48  
VOLTS: 208-230  
PH: 1  
AMPS: 4  
HZ: 60  
INS.: B  
AMB.: 60°C  
DUTY: AIR OVER  
CAP.: 7.5 MFD/370 V  
ENCL: SEMI-ENCL.  
UL LOGO  
CSA LOGO  
THERMALLY PROTECTED



615248

| PERFORMANCE CURVE NO. | TORQUE @1080 RPM (25°C) | APPROVED SAMPLE | UL COMPONENT |       | CSA     |         |
|-----------------------|-------------------------|-----------------|--------------|-------|---------|---------|
|                       |                         |                 | FILE #       | CCN # | FILE #  | CLASS # |
| C20959                | 45.6 OZ. FT.            | EX10432         | E46412       | PRGY2 | LR43341 | 4211-01 |



|                  |          |
|------------------|----------|
| MAIN FRAME - OLE | OPEN     |
| END FRAME - OLE  | OPEN     |
| MAIN FRAME - LE  | ENCLOSED |
| END FRAME - LE   | ENCLOSED |
| ENCLOSURE        |          |

|          |                      |
|----------|----------------------|
| CUSTOMER | DISTRIBUTION SERVICE |
|----------|----------------------|

GEOMETRIC CHARACTERISTICS & SYMBOLS  
 □ FLATNESS  
 - STRAIGHTNESS  
 < ANGLARITY  
 ⊥ PERPENDICULARITY (SQUARENESS)  
 // PARALLELISM  
 ○ ROUNDNESS (CIRCULARITY)  
 ∅ CYLINDRICITY  
 △ PROFILE OF ANY SURFACE  
 ∩ PROFILE OF ANY LINE  
 ↗ RUNOUT  
 ⊕ TRUE POSITION  
 ⊙ CONCENTRICITY  
 = SYMMETRY  
 ASME Y14.5M 1994

REGAL-BELOIT CORPORATION (RBC) PROVIDES TECHNICAL ASSISTANCE TO OUR CUSTOMERS IN SEVERAL AREAS. SINCE RBC DOES NOT RECEIVE ALL DATA CONCERNING THE USE AND APPLICATION OF THE MOTOR, THE SUITABILITY OF THE MOTOR FOR THE APPLICATION MUST BE DETERMINED BY THE CUSTOMER.  
 DIMENSIONS WITHOUT TOLERANCES ARE FOR REFERENCE ONLY.

DR BY: AS 02-13-2011  
 APPD: BS 02-13-2011  
 THIRD ANGLE PROJECTION  
 EDS DATE 11-11-2011  
 FORMAT REV G  
 CONFIDENTIAL: THIS DRAWING AND ITS INFORMATION ARE THE EXCLUSIVE AND CONFIDENTIAL PROPERTY OF REGAL-BELOIT CORPORATION AND ARE NOT TO BE DISCLOSED, DUPLICATED, DISTRIBUTED OR OTHERWISE USED WITHOUT THE WRITTEN CONSENT OF REGAL-BELOIT CORPORATION. -ALL RIGHTS RESERVED.



|                            |                  |
|----------------------------|------------------|
| DESCRIPTION                |                  |
| MODEL-RFHP-48FR<br>OUTLINE |                  |
| SIZE C                     | DWG NO F48SQ6V28 |
| SCALE NONE                 | SHEET 1          |

4

3

2

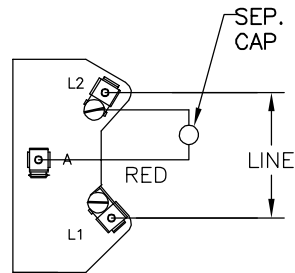
1

|           |         |               |            |               |            |
|-----------|---------|---------------|------------|---------------|------------|
| REVISION: | ECO     | REVISADO POR: | FECHA:     | APROBADO POR: | FECHA:     |
| B         | 0025554 | O. CARVAJAL   | 05-01-2012 | M. AVILA      | 05-01-2012 |

NOTES:  
1. DISTRIBUTION CUST. P/N: OCD1056  
GRAINGER CUST. P/N: 4UY53

SEE NOTE 1

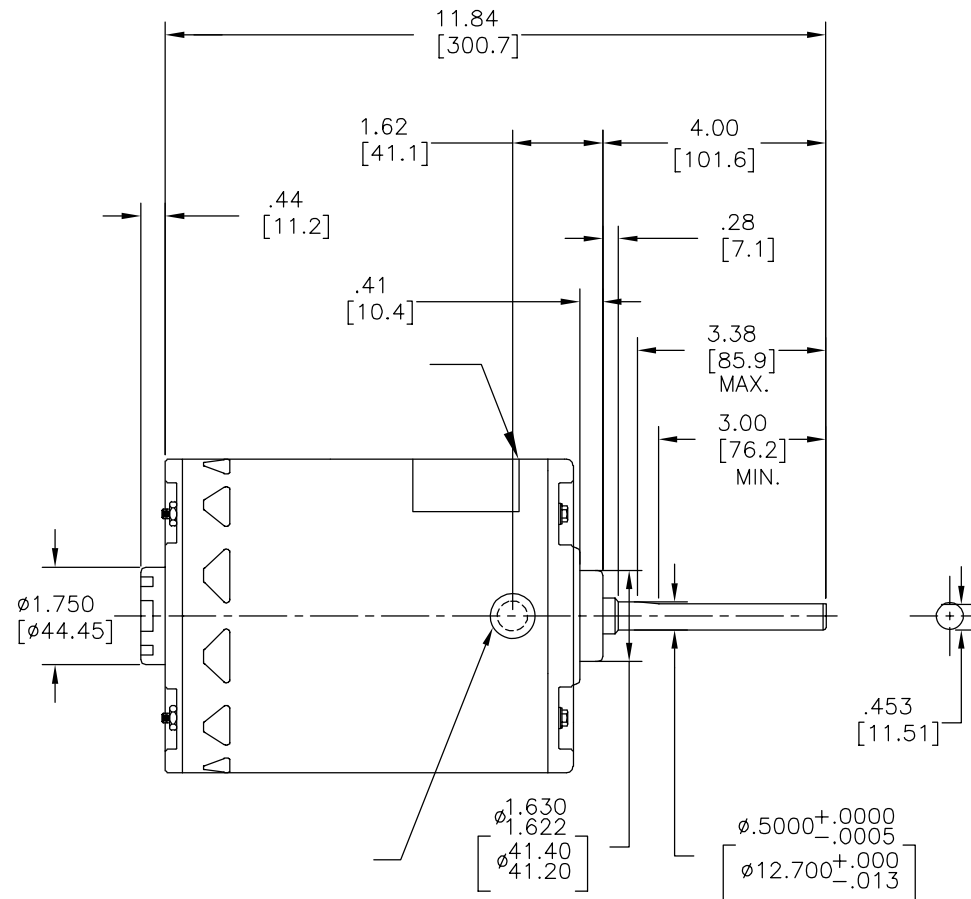
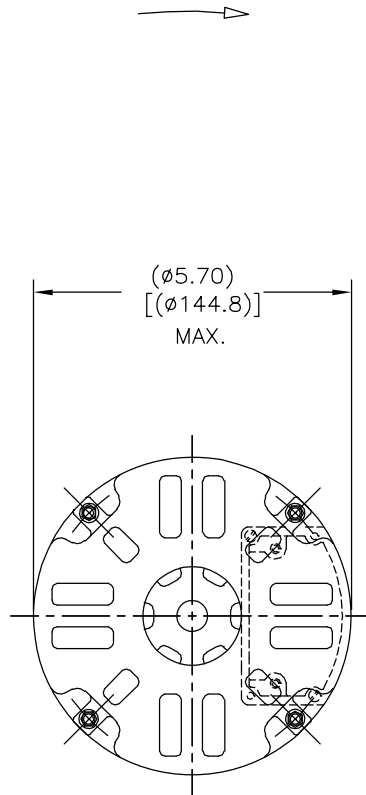
MODEL NO.: F48SQ6V28  
CUST. P/N:    
HP: 1/2  
ROT.: CWLE  
RPM: 1075  
TYPE: UF  
FRAME: 48  
VOLTS: 208-230  
PH: 1  
AMPS: 4  
HZ: 60  
INS.: B  
AMB.: 60°C  
DUTY: AIR OVER  
CAP.: 7.5 MFD/370 V  
ENCL: SEMI-ENCL.  
UL LOGO  
CSA LOGO  
THERMALLY PROTECTED



615248

CSA

|        |              |         |        |       |         |         |
|--------|--------------|---------|--------|-------|---------|---------|
| C20959 | 45.6 OZ. FT. | EX10432 | E46412 | PRGY2 | LR43341 | 4211-01 |
|--------|--------------|---------|--------|-------|---------|---------|



CARACTERISTICAS DE GEOMETRIA Y SIMBOLOS  
 □ PLANICIDAD  
 — RECTITUD  
 < ANGULARIDAD  
 ⊥ PERPENDICULARIDAD (A ESCUADRA)  
 // PARALELISMO  
 ○ REDONDEZ (CIRCULARIDAD)  
 ∅ CILINDRICIDAD  
 △ PERFIL DE CUALQUIER SUPERFICIE  
 ∩ PERFIL DE CUALQUIER LINEA  
 / VARIACION  
 ⊕ POSICION REAL  
 ⊙ CONCENTRICIDAD  
 = SIMETRIA  
 ASME Y14.5M 1994

REGAL-BELOIT CORPORATION (RBC)  
 PROVEE ASISTENCIA TECNICA A  
 NUESTROS CLIENTES EN VARIAS AREAS.  
 DESDE QUE RBC NO RECIBE TODOS  
 LOS DATOS EN RELACION AL USO Y A  
 LA APLICACION DEL MOTOR, LA  
 APLICACION ADECUADA DEL MOTOR  
 DEBE SER DETERMINADA POR EL  
 CLIENTE.

DIMENSIONES SIN TOLERANCIA SON  
 DE REFERENCIA SOLAMENTE

DIBUJADO POR: AS 02-13-2011  
 APROBADO POR: BS 02-13-2011  
 TERCER ANGULO DE PROYECCION  
 CONFIDENCIAL: ESTE DIBUJO Y SU INFORMACION SON PROPIEDAD DE USO EXCLUSIVO Y CONFIDENCIAL DE REGAL-BELOIT CORPORATION. Y NO DEBERAN SER REVELADOS, DUPLICADOS, DISTRIBUIDOS O USARSE DE OTRA MANERA SIN EL CONSENTIMIENTO ESCRITO DE REGAL-BELOIT CORPORATION. -TODOS LOS DERECHOS RESERVADOS.



DESCRIPCION: MODEL-RFHP-48FR  
 OUTLINE  
 TAMAÑO: C NUMERO DE DIBUJO: F48SQ6V28  
 ESCALA: NONE HOJA: 1

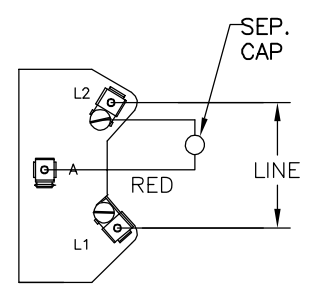
DISTRIBUTION SERVICE

|    |         |             |            |          |            |
|----|---------|-------------|------------|----------|------------|
| 版本 | ECO     | 编制          | 日期         | 批准       | 日期         |
| B  | 0025554 | O. CARVAJAL | 05-01-2012 | M. AVILA | 05-01-2012 |

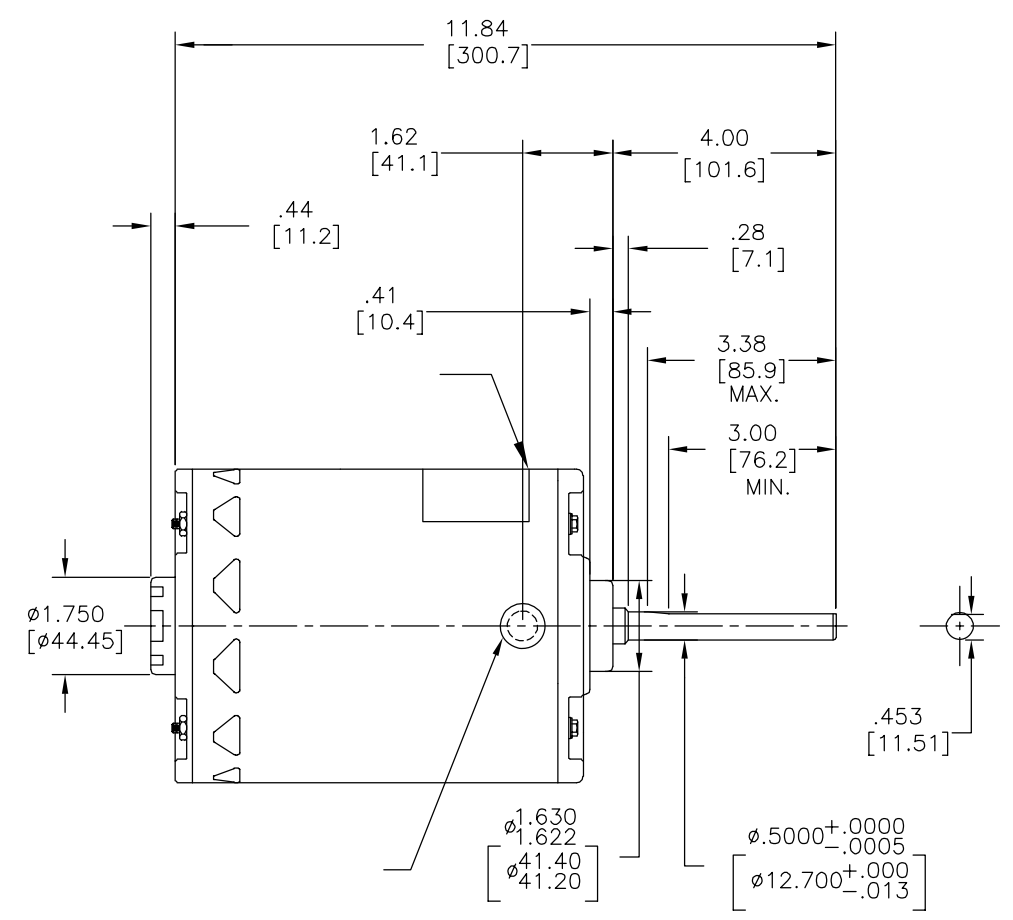
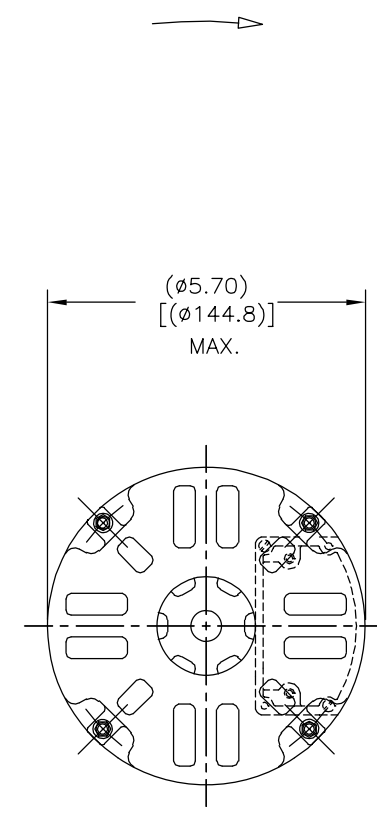
NOTES:  
1. DISTRIBUTION CUST. P/N: OCD1056  
GRAINGER CUST. P/N: 4UY53

SEE NOTE 1

MODEL NO.: F48SQ6V28  
CUST. P/N: [ ]  
HP: 1/2  
ROT.: CWLE  
RPM: 1075  
TYPE: UF  
FRAME: 48  
VOLTS: 208-230  
PH: 1  
AMPS: 4  
HZ: 60  
INS.: B  
AMB.: 60°C  
DUTY: AIR OVER  
CAP.: 7.5 MFD/370 V  
ENCL: SEMI-ENCL.  
UL LOGO  
CSA LOGO  
THERMALLY PROTECTED



615248



|        |              |         |        |       |                 |
|--------|--------------|---------|--------|-------|-----------------|
|        |              |         |        |       | CSA             |
| C20959 | 45.6 OZ. FT. | EX10432 | E46412 | PRGY2 | LR43341 4211-01 |

|  |  |
|--|--|
|  |  |
|  |  |
|  |  |
|  |  |

DISTRIBUTION SERVICE

- 形位公差
- 平面度
- 直线度
- ∠ 倾斜度
- ⊥ 垂直度
- // 平行度
- 圆度
- ⊘ 圆柱度
- △ 面轮廓度
- ∩ 线轮廓度
- ↗ 圆跳动
- ⊕ 位置度
- ⊙ 同轴度
- ≡ 对称度

ASME Y14.5M 1994

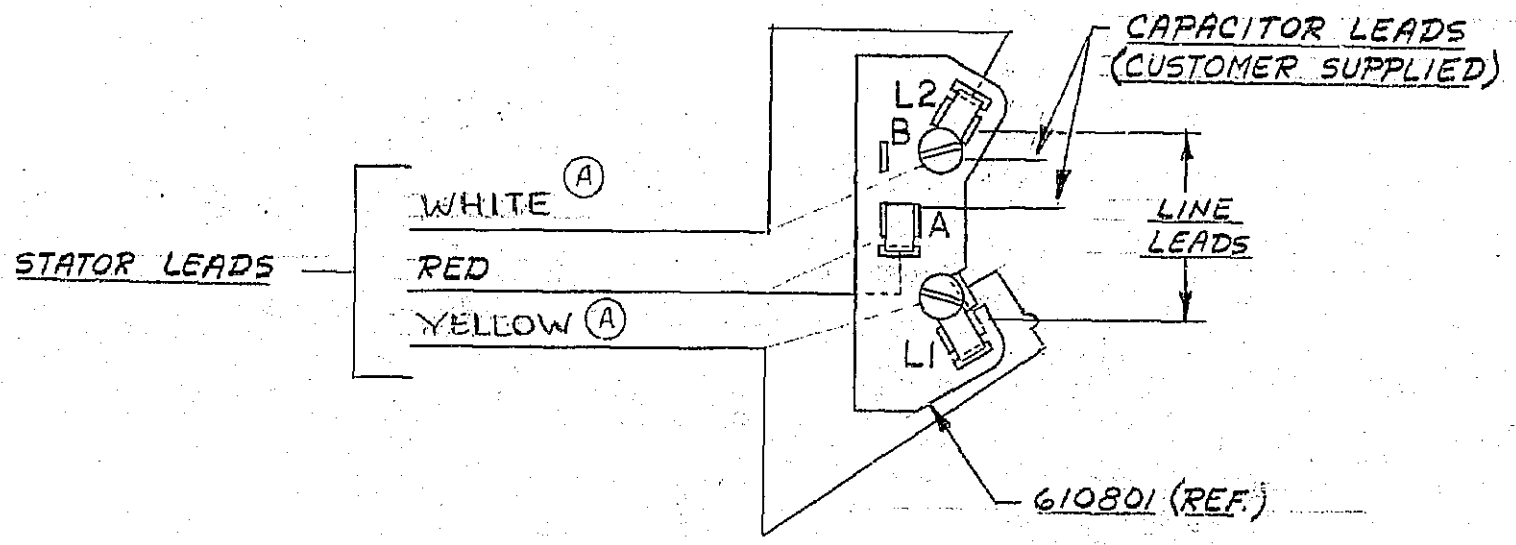
REGAL-BELOIT CORPORATION (RBC) 在个别领域为客户提供技术支持。鉴于RBC未收到任何涉及电机使用和应用环境的数据，电机的适用性由客户自己决定。

未注公差尺寸仅供参考。

|   |    |                                 |
|---|----|---------------------------------|
| 绘图:   | AS | 02-13-2011                      |
| 批准:   | BS | 02-13-2011                      |
| 第三角投影   |    | 图纸格式发布日期 11-11-2011<br>图纸格式版本 G |
| 机密: 本图纸及相关信息所有权归REGAL-BELOIT CORPORATION。未经REGAL-BELOIT CORPORATION书面授权, 不得泄露、复制、传播或作其他用途。—版权所有 |    |                                 |

|    |                            |
|----|----------------------------|
|    |                            |
| 名称 | MODEL-RFHP-48FR<br>OUTLINE |
| 图幅 | C                          |
| 图号 | F48SQ6V28                  |
| 比例 | NONE                       |
| 页号 | 1                          |

615248



|   |             |                                 |               |                      |  |         |                     |                          |  |
|---|-------------|---------------------------------|---------------|----------------------|--|---------|---------------------|--------------------------|--|
|   | <b>DATE</b> | <b>CHANGED FROM</b>             | <b>NOTICE</b> | <b>SUPERSEDES</b>    | <b>ELECTRIC MOTOR DIVISION</b>                       |         |                     | <b>A. O. SMITH CORP.</b> |  |
| A | 11-7-84     | INTERCHANGED THE YELLOW & WHITE | 32103         | <b>SUPERSEDED BY</b> | TIPP CITY, OHIO                                      |         |                     |                          |  |
| B |             |                                 |               | <b>REFERENCE</b>     | NAME CONNECTION DIAG. (EXT.)                         |         |                     |                          |  |
| C |             |                                 |               |                      | MATERIAL SINGLE ROT., SINGLE VOLTAGE (EXT. CAP.)     |         |                     |                          |  |
| D |             |                                 |               |                      | LIMITS UNLESS OTHERWISE SPECIFIED: FRACTIONS DECIMAL |         |                     |                          |  |
| E |             |                                 |               | 609580<br>614997     | DR. RSL 7-15-80                                      | PROCESS | SCALE               | MODEL                    |  |
| F |             |                                 |               | <b>DATE OF PRINT</b> | CHK'D. R. LEWIS<br>7-17-80                           |         | ~                   | PART NO.                 |  |
| G |             |                                 |               |                      | APP'D.   |         | NOTICE NO.<br>14685 | 615248                   |  |