

# PRODUCT INFORMATION PACKET



Model No: OCA3076  
Catalog No: OCA3076

OEM Replacement Motor, 3/4 HP, 3 Ph, 60 Hz, 208-230 V, 1140 RPM, 1 Speed, 48 Frame, ENCLOSED



Regal and Century are trademarks of Regal Rexnord Corporation or one of its affiliated companies.  
©2022 Regal Rexnord Corporation, All Rights Reserved. MC017097E





**Nameplate Specifications**

Output HP	<b>3/4 Hp</b>	Output KW	<b>0.56 kW</b>
Frequency	<b>60 Hz</b>	Voltage	<b>208-230 V</b>
Current	<b>3.8 A</b>	Speed	<b>1140 rpm</b>
Service Factor	<b>1</b>	Phase	<b>3</b>
Duty	<b>Air Over</b>	Insulation Class	<b>B</b>
Frame	<b>48Y</b>	Enclosure	<b>Totally Enclosed</b>
Thermal Protection	<b>Automatic</b>	Ambient Temperature	<b>60 °C</b>
UL	<b>Recognized</b>	CSA	<b>Y</b>
CE	<b>N</b>	Number of Speeds	<b>1</b>

**Technical Specifications**

Electrical Type	<b>Polyphase</b>	Starting Method	<b>Across The Line</b>
Poles	<b>6</b>	Rotation	<b>Reversible</b>
Mounting	<b>Extended Studs</b>	Motor Orientation	<b>Vertical Shaft Down</b>
Drive End Bearing	<b>Ball</b>	Opp Drive End Bearing	<b>Ball</b>
Frame Material	<b>Rolled Steel</b>	Shaft Type	<b>Double Flat</b>
Overall Length	<b>12.60 in</b>	Frame Length	<b>8.13 in</b>
Shaft Diameter	<b>0.500 in</b>	Shaft Extension	<b>3 in</b>
Connection Drawing	<b>608787</b>	Outline Drawing	<b>OCA3076-S01</b>

This is an uncontrolled document once printed or downloaded and is subject to change without notice. Date Created:11/28/2022

4

3

2

1

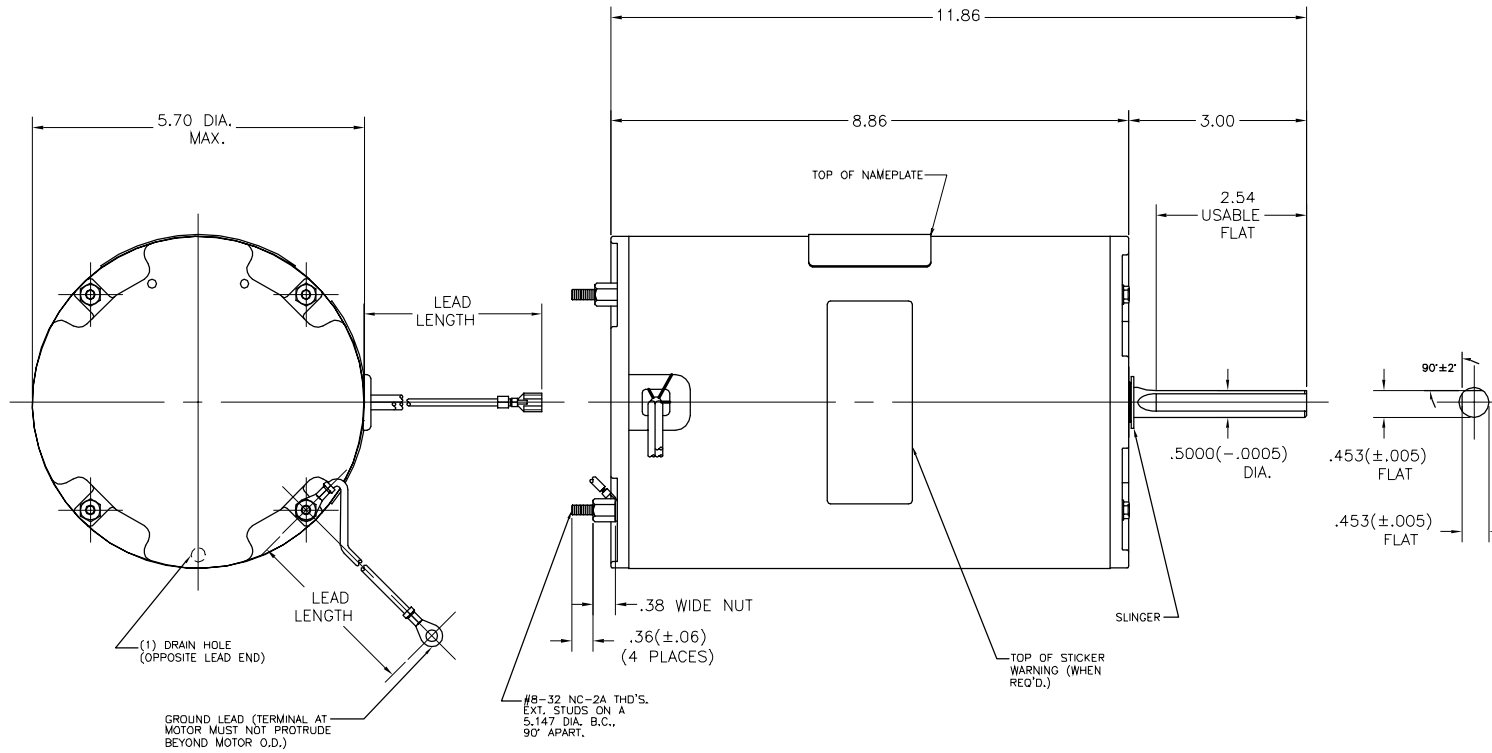
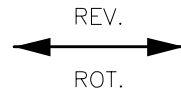
GENERAL INFORMATION:

SHAFT RUNOUT: .001 T.I.R. PER INCH LENGTH OF EXTENSION.  
 BEARINGS: BALL  
 MOUNTING POSITION: VERTICAL SHAFT-DOWN

ELECTRICAL DATA:

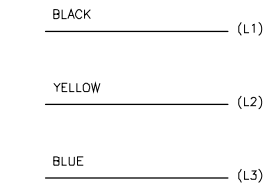
OVERLOAD PROTECTOR: AUTOMATIC RESET (T.I. MWJ57JR)  
 LEADS: NO. 16 GA., .06 THK., EPDM 125°C INSUL.  
 GROUND LEAD: NO. 16 GA., .03 THK., (GREEN) INSUL.

REV	ECO	REV BY	DATE	APPD	DATE
A	0010209	C. CARRILLO	10-30-2009	C. CONTRERAS	10-30-2009



NAMEPLATE DATA: EXTERNAL CONNECTION DIAGRAM

MODEL: P48SW6V1  
 CUST. P/N: OCA3076  
 HP: 3/4  
 ROT: REVERSIBLE  
 RPM: 1140  
 TYPE: UP  
 FRAME: 48Y  
 VOLTS: 208-230  
 PH: 3  
 AMPS: 3.8  
 HZ: 60  
 INS: B  
 AMB: °C 60  
 DUTY: AIR OVER  
 CODE: -  
 CAP.: -  
 ENCL: ENCLOSED  
 UL LOGO  
 CSA LOGO  
 THERMALLY PROTECTED  
 MWJ57JR



614131-147

GREEN(GRD)	60/62	#10 EYELET
BLACK(L1)	60/62	.25 FEMALE SPADE
YELLOW(L2)	60/62	.25 FEMALE SPADE
BLUE(L3)	60/62	.25 FEMALE SPADE

COLOR	LENGTH	TERMINAL OR STRIP LENGTH
LEAD DATA		

MAIN FRAME - OLE	ENCLOSED
END FRAME - OLE	ENCLOSED W/DRAIN HOLE
MAIN FRAME - LE	ENCLOSED
END FRAME - LE	ENCLOSED

CUSTOMER	DISTRIBUTION SERVICES
----------	-----------------------

PERFORMANCE CURVE NO.	TORQUE @1120 RPM (25°C)	APPROVED SAMPLE	UL COMPONENT FILE #	CCN #	CSA FILE #	CLASS #
C30273	84.0 OZ. FT.	89AC020A	E46412	PRGY2	LR43341	260-φ-0

GEOMETRIC CHARACTERISTICS & SYMBOLS  
 □ FLATNESS  
 — STRAIGHTNESS  
 ∠ ANGULARITY  
 ⊥ PERPENDICULARITY (SQUARENESS)  
 // PARALLELISM  
 ○ ROUNDNESS (CIRCULARITY)  
 ∅ CYLINDRICITY  
 △ PROFILE OF ANY SURFACE  
 ∩ PROFILE OF ANY LINE  
 ↑ RUNOUT  
 ⊕ TRUE POSITION  
 ⊙ CONCENTRICITY  
 = SYMMETRY

A.O. SMITH PROVIDES TECHNICAL ASSISTANCE TO OUR CUSTOMERS IN SEVERAL AREAS. SINCE A.O. SMITH DOES NOT RECEIVE ALL DATA CONCERNING THE USE AND APPLICATION OF THE MOTOR, THE SUITABILITY OF THE MOTOR FOR THE APPLICATION MUST BE DETERMINED BY THE CUSTOMER.

DIMENSIONS WITHOUT TOLERANCES ARE FOR REFERENCE ONLY.

DR BY: C. CARRILLO 10-30-2009  
 APPD: C. CONTRERAS 10-30-2009  
 THIRD ANGLE PROJECTION  
 EDS DATE EDS DATE  
 FORMAT REV F  
 CONFIDENTIAL: THIS DRAWING AND ITS INFORMATION ARE THE EXCLUSIVE AND CONFIDENTIAL PROPERTY OF A.O. SMITH CORP. AND ARE NOT TO BE DISCLOSED, DUPLICATED, DISTRIBUTED OR OTHERWISE USED WITHOUT THE WRITTEN CONSENT OF A.O. SMITH CORP.  
 -ALL RIGHTS RESERVED. ASME Y14.5M 1994

**AC Smith** **ELECTRICAL PRODUCTS COMPANY**  
 Innovation has a name. A DIVISION OF A. O. SMITH CORPORATION

DESCRIPTION: **OUTLINE**

SIZE: C DWG NO: OCA3076

SCALE: NONE SHEET: 1

4

3

2

1

4

3

2

1

REVISION:	ECO	REVISADO POR:	FECHA:	APROBADO POR:	FECHA:
A	0010209	C. CARRILLO	10-30-2009	C. CONTRERAS	10-30-2009

INFORMACION GENERAL:

OSCILACION DE FLECHA: -.001 T.I.R. PER INCH LENGTH OF EXTENSION.

BALEROS: - BALL

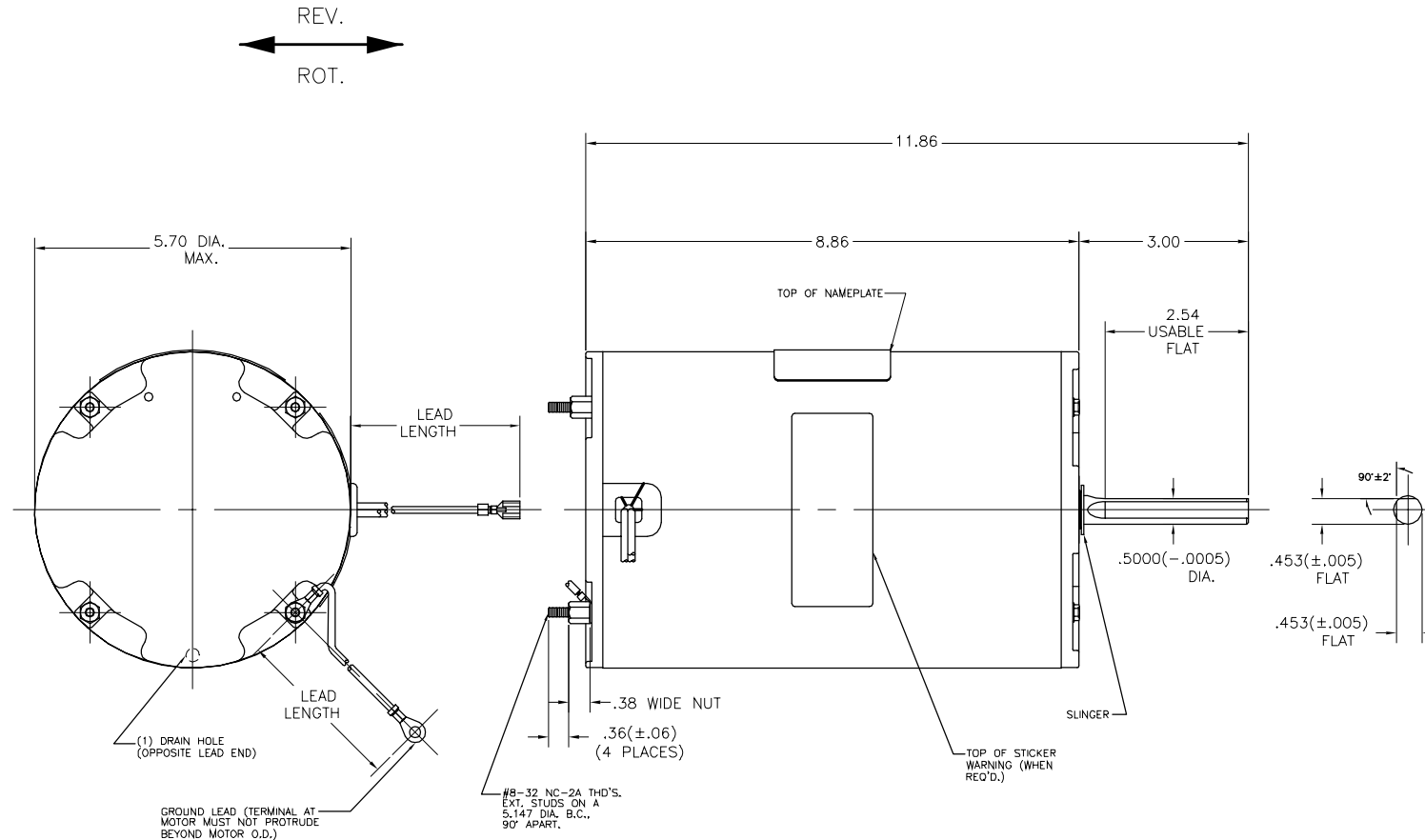
POSICION DEL MONTAJE: - VERTICAL SHAFT-DOWN

INFORMACION ELECTRICA:

PROTECTOR DE SOBRECARGA: - AUTOMATIC RESET (T.I. MWJ57JR)

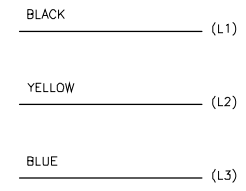
CABLES: -NO. 16 GA., .06 THK., EPDM 125°C INSUL.

CABLE DE TIERRA: -NO. 16 GA., .03 THK., (GREEN) INSUL.



INFORMACION DE ETIQUETA:	DIAGRAMA DE CONEXION EXTRNA
--------------------------	-----------------------------

MODEL: P48SW6V1  
 CUST. P/N: OCA3076  
 HP: 3/4  
 ROT: REVERSIBLE  
 RPM: 1140  
 TYPE: UP  
 FRAME: 48Y  
 VOLTS: 208-230  
 PH: 3  
 AMPS: 3.8  
 HZ: 60  
 INS: B  
 AMB: °C 60  
 DUTY: AIR OVER  
 CODE: -  
 CAP.: -  
 ENCL: ENCLOSED  
 UL LOGO  
 CSA LOGO  
 THERMALLY PROTECTED  
 MWJ57JR



614131-147

GREEN(GRD)	60/62	#10 EYELET
BLACK(L1)	60/62	.25 FEMALE SPADE
YELLOW(L2)	60/62	.25 FEMALE SPADE
BLUE(L3)	60/62	.25 FEMALE SPADE
-		TERMINAL OR STRIP LENGTH

COLOR	LENGTH	TERMINAL
GREEN	60/62	#10 EYELET
BLACK	60/62	.25 FEMALE SPADE
YELLOW	60/62	.25 FEMALE SPADE
BLUE	60/62	.25 FEMALE SPADE

CARCASA - LOC	ENCLOSED
TAPA - LOC	ENCLOSED W/ DRAIN HOLE
CARCASA - LC	ENCLOSED
TAPA - LC	ENCLOSED

CLIENTE	DISTRIBUTION SERVICES
---------	-----------------------

CURVAS DE FUNCIONAMIENTO	TORSION @ 1120 RPM (25°C)	MUESTRA APROBADA	COMPONENTE UL	CSA
C30273	84.0 OZ. FT.	89AC020A	#ARCHIVO PRGY2 LR43341	CLASE # 260-0-0

CARACTERISTICAS DE GEOMETRIA Y SIMBOLOS  
 □ PLANICIDAD  
 - RECTITUD  
 < ANGULARIDAD  
 ⊥ PERPENDICULARIDAD (A ESCUADRA)  
 // PARALELISMO  
 ○ REDONDEZ (CIRCULARIDAD)  
 ∅ CILINDRICIDAD  
 △ PERFIL DE CUALQUIER SUPERFICIE  
 ∩ PERFIL DE CUALQUIER LINEA  
 ↑ VARIACION  
 ⊕ POSICION REAL  
 ⊙ CONCENTRICIDAD  
 = SIMETRIA

A.O. SMITH PROVEE ASISTENCIA TECNICA A NUESTROS CLIENTES EN VARIAS AREAS. DESDE QUE A.O. SMITH NO RECIBE TODOS LOS DATOS EN RELACION AL USO Y A LA APLICACION DEL MOTOR, LA APLICACION ADECUADA DEL MOTOR DEBE SER DETERMINADA POR EL CLIENTE.

DIMENSIONES SIN TOLERANCIA SON DE REFERENCIA SOLAMENTE

DIBUJADO POR: C. CARRILLO 10-30-2009  
 APROBADO POR: C. CONTRERAS 10-30-2009  
 TERCER ANGULO DE PROYECCION  
 CONFIDENCIAL: ESTE DIBUJO Y SU INFORMACION SON PROPIEDAD DE USO EXCLUSIVO Y CONFIDENCIAL DE A.O. SMITH CORP. Y NO DEBERAN SER REVELADOS, DUPLICADOS, DISTRIBUIDOS O USARSE DE OTRA MANERA SIN EL CONSENTIMIENTO ESCRITO DE A.O. SMITH CORP. -TODOS LOS DERECHOS RESERVADOS. ASME Y14.5M 1994

**AC Smith** **ELECTRICAL PRODUCTS COMPANY**  
 Innovation has a name. A DIVISION OF A. O. SMITH CORPORATION

DESCRIPCION: **OUTLINE**

TAMAÑO: C NUMERO DE DIBUJO: OCA3076  
 ESCALA: NONE HOJA: 1

4

3

2

1

4

3

2

1

总技术要求:

轴跳动: .001 T.I.R. PER INCH LENGTH OF EXTENSION.

轴承: BALL

安装位置: VERTICAL SHAFT-DOWN

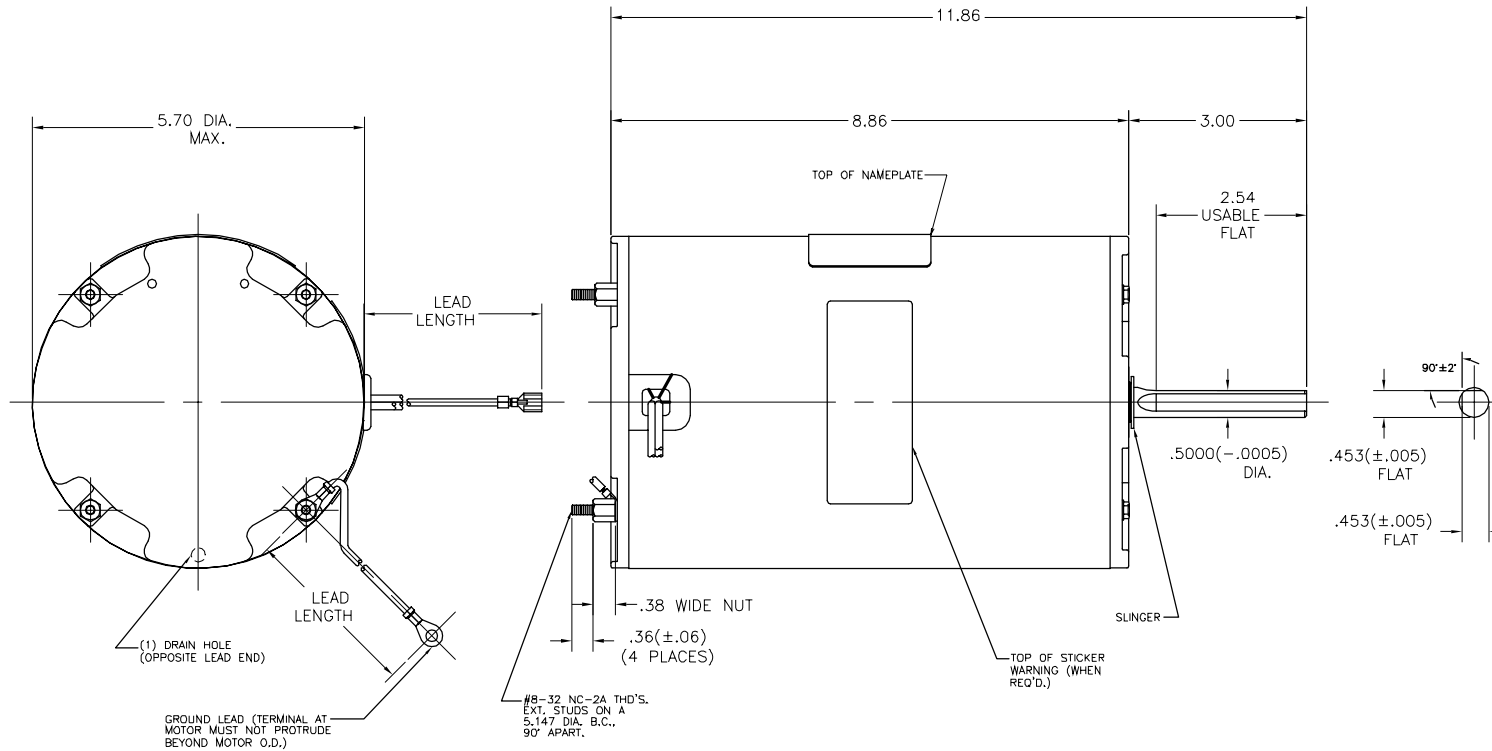
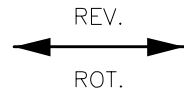
电气数据:

过载保护: AUTOMATIC RESET (T.I. MWJ57JR)

引线: NO. 16 GA., .06 THK., EPDM 125°C INSUL.

接地线: NO. 16 GA., .03 THK., (GREEN) INSUL.

??	ECO	??	??	??	??
A	0010209	C. CARRILLO	10-30-2009	C. CONTRERAS	10-30-2009



铭牌数据	外部数据线
MODEL: P48SW6V1 CUST. P/N: OCA3076 HP: 3/4 ROT: REVERSIBLE RPM: 1140 TYPE: UP FRAME: 48Y VOLTS: 208-230 PH: 3 AMPS: 3.8 HZ: 60 INS: B AMB: °C 60 DUTY: AIR OVER CODE: - CAP.: - ENCL: ENCLOSED UL LOGO CSA LOGO THERMALLY PROTECTED MWJ57JR	BLACK (L1) YELLOW (L2) BLUE (L3)

GREEN(GRD)	60/62	#10 EYELET
BLACK(L1)	60/62	.25 FEMALE SPADE
YELLOW(L2)	60/62	.25 FEMALE SPADE
BLUE(L3)	60/62	.25 FEMALE SPADE

无引线端机壳	ENCLOSED
无引线端端盖	ENCLOSED W/DRAIN HOLE
有引线端机壳	ENCLOSED
有引线端端盖	ENCLOSED

用户	DISTRIBUTION SERVICES
----	-----------------------

性能曲线编号	转矩 @ 1 RPM	批准样品	UL部件		CSA	
	RPM (25°C)		文件号	??	文件号	??
C30273	84.0 OZ. FT.	89AC020A	E46412	PRGY2	LR43341	260-0-0

COLOR	LENGTH	TERMINAL OR STRIP LENGTH
颜色	长度	端子或剥线长度
LEAD DATA 引线数据		

- ???
- ???
- <???
- ∟???
- //???
- ??
- ⊕???
- △???
- ∩???
- ∠???
- ⊕???
- ⊗???
- ≡???

A.O.SMITH???????

?????????A.O.SMITH

???????????????

?????????????????

?????????????????

?????????????????

?????????????????

?????????????????

???	C. CARRILLO	10-30-2009
???	C. CONTRERAS	10-30-2009
?????	⊕	EDS DATE
???	???	F
???	?????????????A.O.SMITH?????	
???	??A.O.SMITH????????????????????	
???	?????--?????	

<b>ACSmith</b> Innovation has a name.		<b>ELECTRICAL PRODUCTS COMPANY</b> A DIVISION OF A. O. SMITH CORPORATION	
OUTLINE			
C	OCA3076		
NONE			1

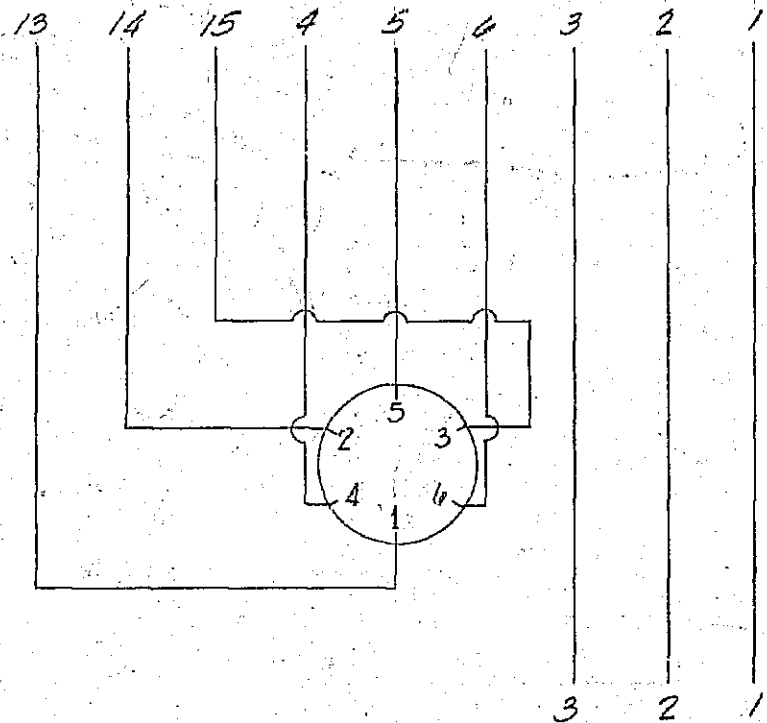
4

3

2

1

STATOR LEADS



CONDUIT BOX LEADS

	DATE	CHANGED FROM	NOTICE		DATE	CHANGED FROM	NOTICE	SUPERSEDES	ELECTRIC MOTOR DIVISION TIPP CITY, OHIO			
H				A					A. O. SMITH CORP.			
J				B				SUPERSEDED BY				
K				C				REFERENCE <i>605900</i>	MATERIAL			
L				D					LIMITS UNLESS OTHERWISE SPECIFIED: FRACTIONS DECIMAL			
M				E					DR. <i>8-5-02</i>	PROCESS	SCALE	MODEL <i>P48LE10B1</i>
N				F				DATE OF PRINT	CHK'D. <i>[Signature]</i>			PART NO.
P				G					APP'D. <i>[Signature]</i>		NOTICE NO. <i>8809</i>	<i>608787</i>