

PRODUCT INFORMATION PACKET



Model No: OCA1056

Catalog No: OCA1056

OEM Replacement Motor, 1/2 HP, 1 Ph, 60 Hz, 200-230/460 V, 1075 RPM, 1 Speed, 48 Frame,
SEMI ENCLOSED



Regal and Century are trademarks of Regal Rexnord Corporation or one of its affiliated companies.

©2022 Regal Rexnord Corporation, All Rights Reserved. MC017097E





Nameplate Specifications

Output HP	1/2 Hp	Output KW	0.37 kW
Frequency	60 Hz	Voltage	200-230/460 V
Current	4.6/2.3 A	Speed	1075 rpm
Service Factor	1	Phase	1
Duty	Air Over	Insulation Class	B
Frame	48Y	Enclosure	Semi Enclosed
Thermal Protection	Automatic	Ambient Temperature	60 °C
UL	Recognized	CSA	Y
CE	N	Number of Speeds	1

Technical Specifications

Electrical Type	Permanent Split Capacitor	Starting Method	Across The Line
Poles	6	Rotation	Reversible
Mounting	Lug	Motor Orientation	Vertical Shaft Up
Drive End Bearing	Ball	Opp Drive End Bearing	Ball
Frame Material	Rolled Steel	Shaft Type	Flat
Overall Length	9.74 in	Frame Length	5.75 in
Shaft Diameter	0.500 in	Shaft Extension	1.6 in
Outline Drawing	OCA1056-S01	Connection Drawing	614131-194

This is an uncontrolled document once printed or downloaded and is subject to change without notice. Date Created:11/28/2022

GENERAL INFORMATION:

SHAFT RUNOUT: .001[.02] T.I.R. PER INCH LENGTH OF EXTENSION.

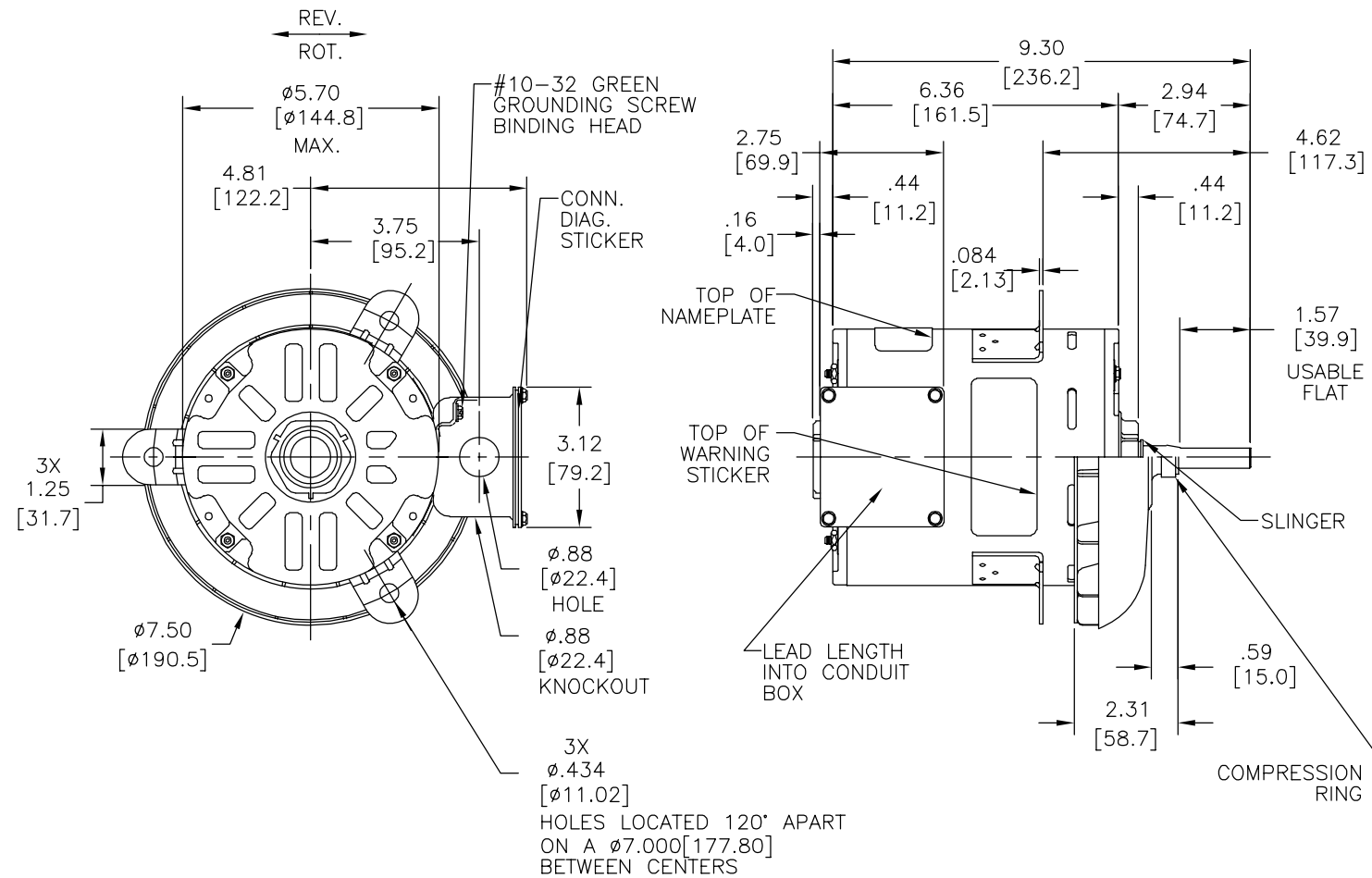
BEARINGS: BALL

MOUNTING POSITION: VERTICAL SHAFT UP

ELECTRICAL DATA:

OVERLOAD PROTECTOR: AUTOMATIC RESET (T.I. 7AM 036)

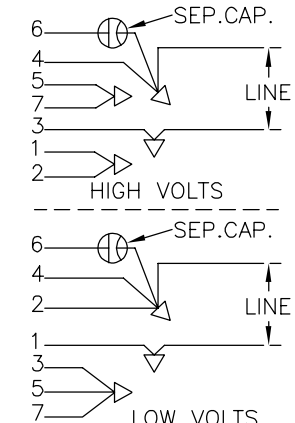
LINE LEADS: NO. 18 GA., .03[.8] THK., CROSS-LINKED POLYETHYLENE, 125° INSUL.



NAMEPLATE DATA:

EXTERNAL CONNECTION DIAGRAM

MODEL NO.: F48SR6V2A1
 CUST. P/N: OCA1056
 HP: 1/2
 ROT.: REVERSIBLE
 RPM: 1075
 TYPE: UF
 FRAME: 48Y
 VOLTS: 200-230/460
 PH: 1
 AMPS: 4.6/2.3
 HZ: 60
 INS.: B
 AMB.: 60° C
 DUTY: AIR OVER
 CAP.: 7.5 MFD/440 VAC
 ENCL: SEMIENCLOSED
 UL & CSA LOGO
 THERMALLY PROTECTED



ABOVE CONN. FOR CCW ROT. TO REVERSE, INTERCHANGE #6 & #7

614131-194

RED (7)	5.0/6.0 [127/152]	.60[15.2] SKIN
YELLOW (6)	5.0/6.0 [127/152]	.60[15.2] SKIN
YELLOW (5)	5.0/6.0 [127/152]	.60[15.2] SKIN
YELLOW (4)	5.0/6.0 [127/152]	.60[15.2] SKIN
RED (3)	5.0/6.0 [127/152]	.60[15.2] SKIN
RED (2)	5.0/6.0 [127/152]	.60[15.2] SKIN
RED (1)	5.0/6.0 [127/152]	.60[15.2] SKIN

REGAL-BELOIT CORPORATION (RBC) PROVIDES TECHNICAL ASSISTANCE TO OUR CUSTOMERS IN SEVERAL AREAS. SINCE RBC DOES NOT RECEIVE ALL DATA CONCERNING THE USE AND APPLICATION OF THE MOTOR, THE SUITABILITY OF THE MOTOR FOR THE APPLICATION MUST BE DETERMINED BY THE CUSTOMER.

DIMENSIONS WITHOUT TOLERANCES ARE FOR REFERENCE ONLY.

MAIN FR. - OLE	OPEN
END FR. - OLE	OPEN
MAIN FR. - LE	ENCLOSED
END FR. - LE	OPEN

PERFORMANCE CURVE NO.	TORQUE @ 1075 RPM (25°C)	APPROVED SAMPLE	UL COMPONENT FILE #	CCN #	CSA FILE #	CLASS #
C13295	3.65 OZ.FT	EX 8027	E46412	PRGY2	LR43341	260-φ-0

LEAD DATA

DRAWING REVISION	REVISION BY	DATE
B	J.YAO	07-24-2014
ECO	APPROVED BY	DATE
ECO-0053904	M.HE	07-24-2014
ECO DESCRIPTION		
SEE ECO		

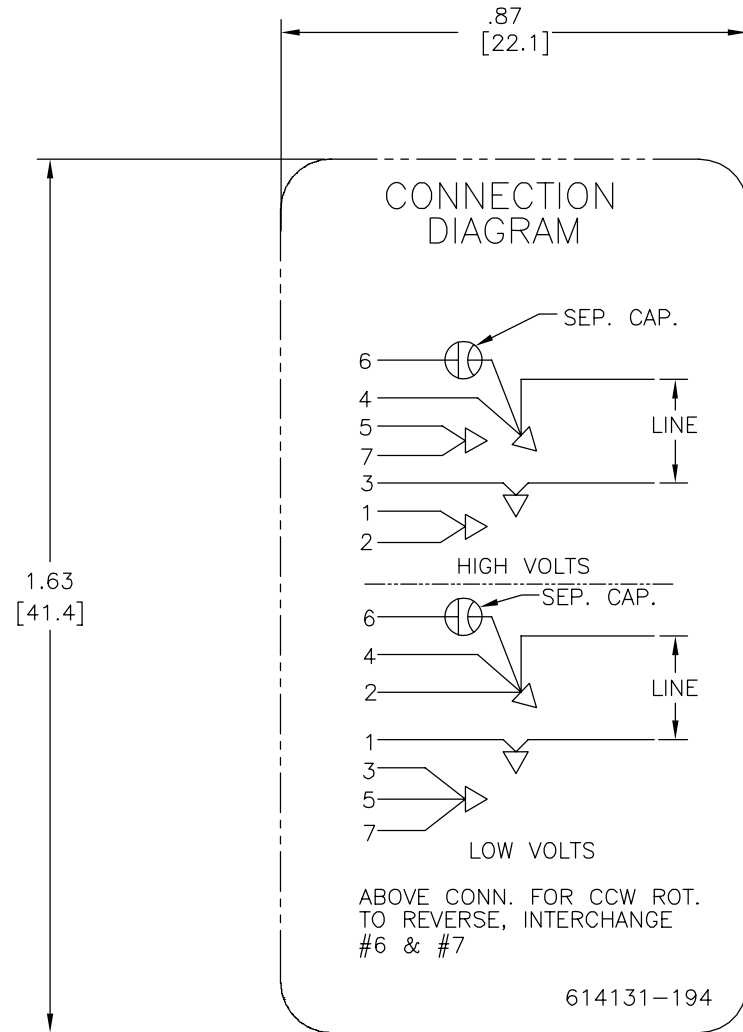
COPYRIGHT REGAL-BELOIT CORPORATION. ALL RIGHTS RESERVED. PROPRIETARY AND CONFIDENTIAL INFORMATION - THIS DOCUMENT IS THE PROPERTY OF REGAL-BELOIT CORPORATION AND CONTAINS OWNERS' PROPRIETARY INFORMATION. ANY PERSON, CORPORATION OR OTHER FIRM RECEIVING IT IS DEEMED, BY RECEIVING IT, TO AGREE THAT IT, AND/OR ANY PART OF IT, SHALL NOT BE DISCLOSED TO ANY PERSON, CORPORATION OR OTHER ENTITY, DUPLICATED, AND/OR USED, EXCEPT AS EXPRESSLY APPROVED IN WRITING IN ADVANCE BY OWNER. THIS DOCUMENT SHALL BE RETURNED TO OWNER UPON REQUEST. IT MAY BE SUBJECT TO CERTAIN RESTRICTIONS UNDER APPLICABLE EXPORT CONTROL LAWS AND REGULATIONS.

ENCLOSURE

CUSTOMER	DISTRIBUTION SERVICES
----------	-----------------------

DRAWN BY: D.JONES	DATE: 12-04-1997	Regal Beloit America, Inc.
APPROVED BY: JAR	DATE: 04-01-1998	
REFERENCE	MATERIAL	DESCRIPTION: MODEL-RFHP-48FR OUTLINE
THIRD ANGLE PROJECTION	SIZE DWG NO: C	PROCESS/FINISH
		OCA1056
		SHEET 1

REV	ECO	REV BY	DATE	APPD	DATE
B	ECO-0019694	TH	03-28-2011	CZ	03-28-2011



NOTES:

1. FOR USE WITH 614129 NAMEPLATE BLANK
2. - - - - - INDICATES DIMENSION LIMITS
3. DIE TO BE MADE FROM MASTER SUPPLIED BY A. O. SMITH CORPORATION
4. DIE MUST PRODUCE A LEGIBLE IMPRESSION.

GEOMETRIC CHARACTERISTICS & SYMBOLS

▭	FLATNESS
-	STRAIGHTNESS
∠	ANGULARITY
⊥	PERPENDICULARITY (SQUARENESS)
//	PARALLELISM
○	ROUNDNESS (CIRCULARITY)
⊘	CYLINDRICITY
△	PROFILE OF ANY SURFACE
∩	PROFILE OF ANY LINE
↗	RUNOUT
⊕	TRUE POSITION
◎	CONCENTRICITY
≡	SYMMETRY

UNLESS OTHERWISE SPECIFIED DIM. TOLERANCES ARE AS FOLLOWS:

INCH	X	XX	XXX	XXXX
	±.1	±.02	±.005	±.0005
mm	±0.5	±0.13	±0.013	
ANG. ±.50 DEG				
REMOVE BURRS & BREAK SHARP EDGES:				
	INCH	.003-.015	mm	0.1-0.4
CORNER FILLETS TO:				
	INCH	.020	mm	0.5
MACHINE SURFACES:				
	INCH	125	mm	3.2
METRIC DIMS. SHOWN IN [BRACKETS]				

DR BY:	HZ	09-08-2009
APPD:	Tim	09-09-2009
THIRD ANGLE PROJECTION		EDS DATE 01-21-2007 FORMAT REV F
CONFIDENTIAL: THIS DRAWING AND ITS INFORMATION ARE THE EXCLUSIVE AND CONFIDENTIAL PROPERTY OF A.O. SMITH CORP. AND ARE NOT TO BE DISCLOSED, DUPLICATED, DISTRIBUTED OR OTHERWISE USED WITHOUT THE WRITTEN CONSENT OF A.O. SMITH CORP. -ALL RIGHTS RESERVED. ASME Y14.5M 1994		

	ELECTRICAL PRODUCTS COMPANY <small>A DIVISION OF A. O. SMITH CORPORATION</small>
DESCRIPTION CONN DIAGRAM-NAMEPLATE	
SIZE C	DWG NO 614131-194
SCALE NONE	SHEET 1

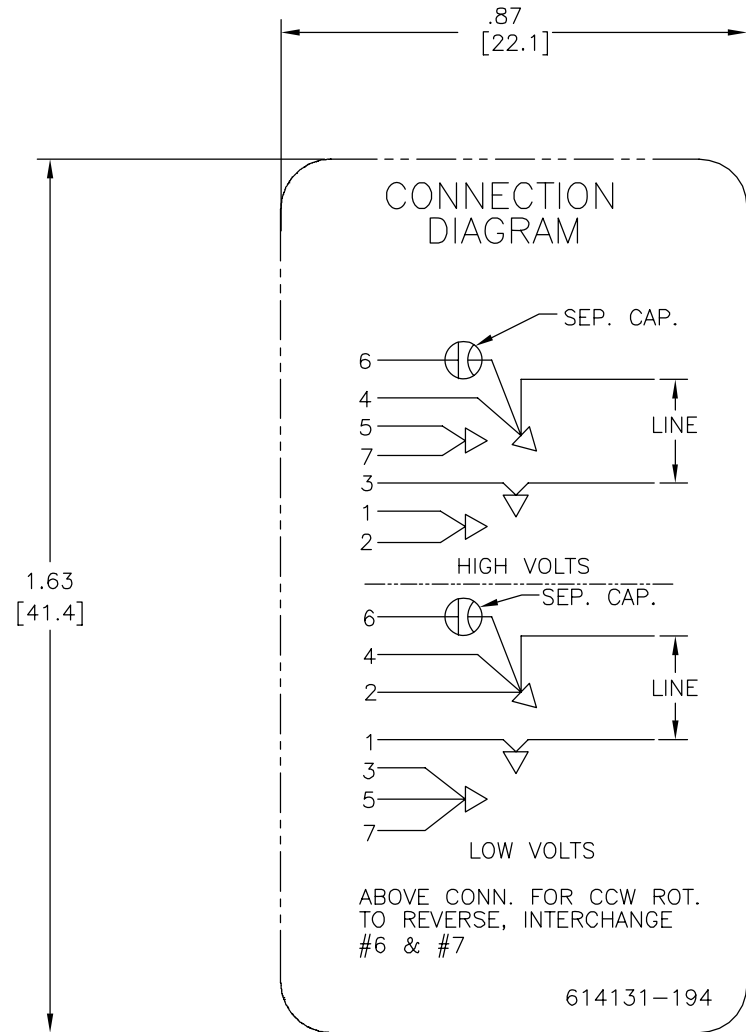
4

3

2

1

REVISION:	ECO	REVISADO POR:	FECHA:	APROBADO POR:	FECHA:
B	ECO-0019694	TH	03-28-2011	CZ	03-28-2011



NOTES:

1. FOR USE WITH 614129 NAMEPLATE BLANK
2. - - - - - INDICATES DIMENSION LIMITS
3. DIE TO BE MADE FROM MASTER SUPPLIED BY A. O. SMITH CORPORATION
4. DIE MUST PRODUCE A LEGIBLE IMPRESSION.

CARACTERISTICAS DE GEOMETRIA Y SIMBOLOS ▽ PLANICIDAD - RECTITUD < ANGULARIDAD ⊥ PERPENDICULARIDAD (A ESCUADRA) // PARALELISMO ○ REDONDEZ (CIRCULARIDAD) ∅ CILINDRICIDAD △ PERFIL DE CUALQUIER SUPERFICIE ∩ PERFIL DE CUALQUIER LINEA / VARIACION ⊕ POSICION REAL ⊙ CONCENTRICIDAD = SIMETRIA

A MENOS QUE SE ESPECIFIQUE DE OTRA MANERA, LAS TOLERANCIAS DE LAS DIMS. SON LAS SIGUIENTES: PULG ±.1 ±.02 ±.005 ±.0005 mm ±0.5 ±0.13 ±0.013 ANG. ±50 GRADOS ELIMINAR REBABAS Y ORILLAS FILOSAS DEL BORDE. PULG .003-.015 mm 0.1-0.4 FILETEAR ESQUINA: PULG .020 mm 0.5 MAQUINAR SUPERFICIES PULG 125 mm 3.2 DIMS METRICAS MOSTRADAS [PARENTESIS]

DIBUJADO POR:	HZ	09-08-2009
APROBADO POR:	Tim	09-09-2009
TERCER ANGULO DE PROYECCION		FECHA EDS: 01-21-2007 REV. FORMATO: F
CONFIDENCIAL: ESTE DIBUJO Y SU INFORMACION SON PROPIEDAD DE USO EXCLUSIVO Y CONFIDENCIAL DE A.O.SMITH CORP. Y NO DEBERAN SER REVELADOS, DUPLICADOS, DISTRIBUIDOS O USARSE DE OTRA MANERA SIN EL CONSENTIMIENTO ESCRITO DE A.O. SMITH CORP. -TODOS LOS DERECHOS RESERVADOS. ASME Y14.5M 1994		

ELECTRICAL PRODUCTS COMPANY A DIVISION OF A. O. SMITH CORPORATION	
DESCRIPCION:	
TAMAÑO: C	NUMERO DE DIBUJO: 614131-194
ESCALA: NONE	HOJA: 1

4

3

2

1

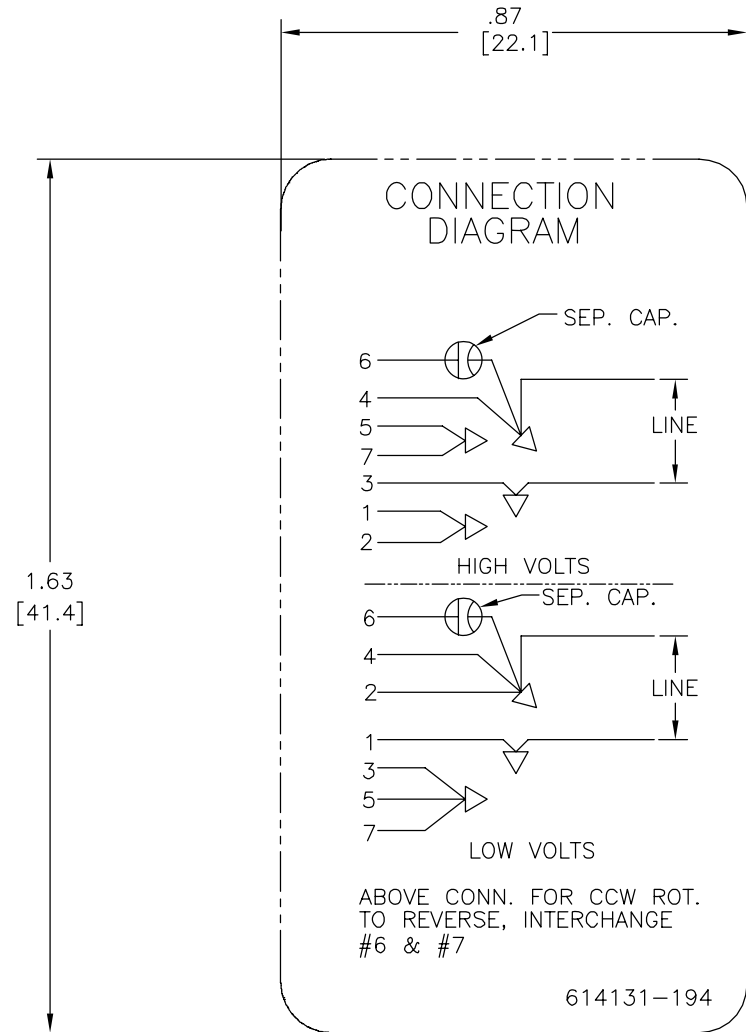
4

3

2

1

版本	ECO	编制	日期	批准	日期
B	ECO-0019694	TH	03-28-2011	CZ	03-28-2011



NOTES:

1. FOR USE WITH 614129 NAMEPLATE BLANK
2. - - - - - INDICATES DIMENSION LIMITS
3. DIE TO BE MADE FROM MASTER SUPPLIED BY A. O. SMITH CORPORATION
4. DIE MUST PRODUCE A LEGIBLE IMPRESSION.

形位公差
□ 平面度
— 直线度
∠ 倾斜度
⊥ 垂直度
// 平行度
○ 圆度
⊘ 圆柱度
△ 面轮廓度
∩ 线轮廓度
↗ 圆跳动
⊕ 位置度
◎ 同轴度
≡ 对称度

除另有注明 尺寸公差如下:
英寸 X XX XXX XXXX
毫米 ±.1 ±.02 ±.005 ±.0005
角度 ±.50 度
清理毛刺和尖棱
英寸 .003-.015 毫米 0.1-0.4
内圆角
英寸 .020 毫米 0.5
表面粗糙度
英制 125 米制 3.2
米制尺寸显示在[]

绘图:	HZ	09-08-2009
批准:	Tim	09-09-2009
第三角投影		图纸格式发布日期 01-21-2007 图纸格式版本 F
机密: 本图纸及相关信息所有权归A. O. SMITH公司所有。未经A. O. SMITH公司书面授权, 不得泄露、复制、传播或作其他用途。一版权所有		
ASME Y14.5M 1994		

ACSmith innovation has a name.		ELECTRICAL PRODUCTS COMPANY A DIVISION OF A. O. SMITH CORPORATION	
名称			
图幅	C	图号	614131-194
比例	NONE	页号	1

4

3

2

1