

# PRODUCT INFORMATION PACKET



Model No: OCA10106  
Catalog No: OCA10106

OEM Replacement Motor, 1/10 HP, 1 Ph, 60 Hz, 208-230 V, 1100 RPM, 1 Speed, 48 Frame, ENCLOSED



Regal and Century are trademarks of Regal Rexnord Corporation or one of its affiliated companies.  
©2022 Regal Rexnord Corporation, All Rights Reserved. MC017097E





**Nameplate Specifications**

Output HP	1/10 Hp	Output KW	0.07 kW
Frequency	60 Hz	Voltage	208-230 V
Current	0.7 A	Speed	1100 rpm
Service Factor	1	Phase	1
Duty	Air Over	Insulation Class	B
Frame	48Y	Enclosure	Totally Enclosed
Thermal Protection	Automatic	Ambient Temperature	40 °C
UL	Recognized	CSA	Y
CE	N	Number of Speeds	1

**Technical Specifications**

Electrical Type	Permanent Split Capacitor	Starting Method	Across The Line
Poles	6	Rotation	Clockwise Lead End
Mounting	Extended Studs	Motor Orientation	Any
Drive End Bearing	Sleeve	Opp Drive End Bearing	Sleeve
Frame Material	Rolled Steel	Shaft Type	Flat
Overall Length	6.00 in	Frame Length	3.00 in
Shaft Diameter	0.500 in	Shaft Extension	2.1 in
Outline Drawing	11811-013-S01	Connection Drawing	614131-003

This is an uncontrolled document once printed or downloaded and is subject to change without notice. Date Created:11/28/2022

4

3

2

1

REV	ECO	REV BY	DATE	APPD	DATE
E	0025553	F. MORENO	05-01-2012	M. AVILA	05-01-2012

GENERAL INFORMATION:

SHAFT RUNOUT: .001 [.03] T.I.R. PER INCH LENGTH OF EXTENSION

END PLAY: .010[.25] TO .063[1.60]

BEARINGS: SLEEVE

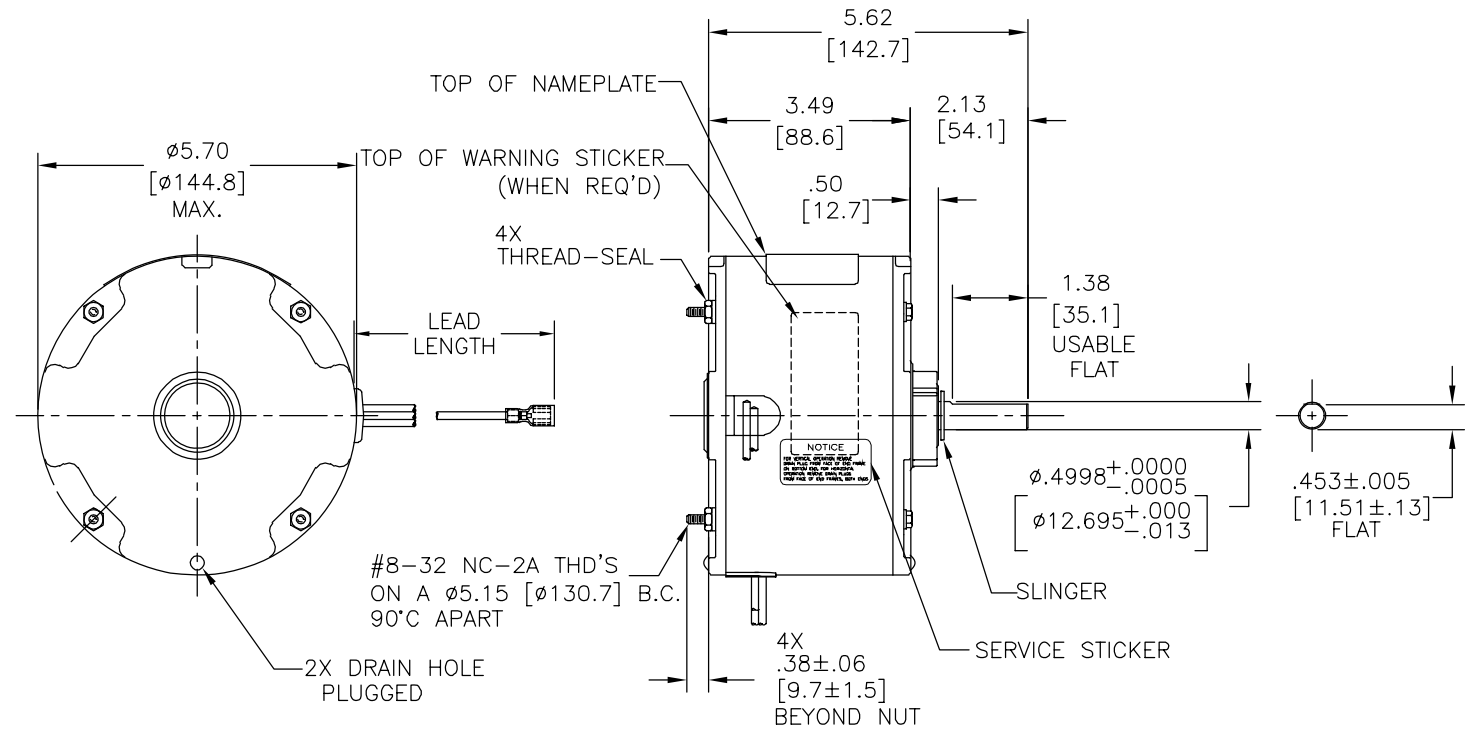
MOUNTING POSITION: ALL ANGLE

ELECTRICAL DATA:

OVERLOAD PROTECTOR: AUTOMATIC RESET (T.I. 7AM 036)

LEADS: NO. 18 GA., .06 [1.5] THK. PVC 105°C INSUL.

NOTES:  
1. DISTRIBUTION CUST. P/N: OCA10106  
GRAINGER CUST. P/N: 4UY86



SEE NOTE 1

NAMEPLATE DATA:	EXTERNAL CONNECTION DIAGRAM
MODEL NO.: F48V58A0 CUST. P/N: [ ] HP: 1/10 ROT.: CWLE RPM: 1100 TYPE: UF FRAME: 48Y VOLTS: 208-230 PH: 1 AMPS: .7 HZ: 60 INS.: B AMB.: 40 ° C DUTY: AIR OVER CAP.: 5 MFD/370 V ENCL: ENCLOSED UL LOGO CSA LOGO THERMALLY PROTECTED	

BROWN	44.0/47.0 [1118/1194]	.25 [6.4] FEMALE SPADE
YELLOW	44.0/47.0 [1118/1194]	.25 [6.4] FEMALE SPADE
BLACK	44.0/47.0 [1118/1194]	.25 [6.4] FEMALE SPADE
COLOR	LENGTH	TERMINAL OR STRIP LENGTH

MAIN FRAME - OLE	ENCLOSED
END FRAME - OLE	ENCLOSED W/ DRAIN HOLE
MAIN FRAME - LE	ENCLOSED
END FRAME - LE	ENCLOSED W/ DRAIN HOLE

CUST.	DIST. SERVICES
-------	----------------

PERFORMANCE CURVE NO.	TORQUE @ XXXX RPM (25°C)	APPROVED SAMPLE	UL COMPONENT FILE #	CCN #	CSA FILE #	CLASS #
C32391	10.7 OZ. FT.	0442982B	E46412	PRGY2	LR43341	4211-01

GEOMETRIC CHARACTERISTICS & SYMBOLS  
 □ FLATNESS  
 - STRAIGHTNESS  
 < ANGULARITY  
 ⊥ PERPENDICULARITY (SQUARENESS)  
 // PARALLELISM  
 ○ ROUNDNESS (CIRCULARITY)  
 ∅ CYLINDRICITY  
 △ PROFILE OF ANY SURFACE  
 ∩ PROFILE OF ANY LINE  
 ↗ RUNOUT  
 ⊕ TRUE POSITION  
 ⊙ CONCENTRICITY  
 = SYMMETRY  
 ASME Y14.5M 1994

REGAL-BELOIT CORPORATION (RBC) PROVIDES TECHNICAL ASSISTANCE TO OUR CUSTOMERS IN SEVERAL AREAS. SINCE RBC DOES NOT RECEIVE ALL DATA CONCERNING THE USE AND APPLICATION OF THE MOTOR, THE SUITABILITY OF THE MOTOR FOR THE APPLICATION MUST BE DETERMINED BY THE CUSTOMER.  
 DIMENSIONS WITHOUT TOLERANCES ARE FOR REFERENCE ONLY.

DR BY: GORDON 10-14-2004  
 APPD:  
 THIRD ANGLE PROJECTION  
 EDS DATE 11-11-2011  
 FORMAT REV G  
 CONFIDENTIAL: THIS DRAWING AND ITS INFORMATION ARE THE EXCLUSIVE AND CONFIDENTIAL PROPERTY OF REGAL-BELOIT CORPORATION AND ARE NOT TO BE DISCLOSED, DUPLICATED, DISTRIBUTED OR OTHERWISE USED WITHOUT THE WRITTEN CONSENT OF REGAL-BELOIT CORPORATION. -ALL RIGHTS RESERVED.

DESCRIPTION	
MODEL-RFHP-48FR OUTLINE	
SIZE C	DWG NO 11811-013
SCALE NONE	SHEET 1

4

3

2

1

4

3

2

1

REVISION:	ECO	REVISADO POR:	FECHA:	APROBADO POR:	FECHA:
E	0025553	F. MORENO	05-01-2012	M. AVILA	05-01-2012

**INFORMACION GENERAL:**

OSCILACION DE FLECHA: .001 [.03] T.I.R. POR PULG. DE LONG. DE EXT.

BALEROS: MANGAS

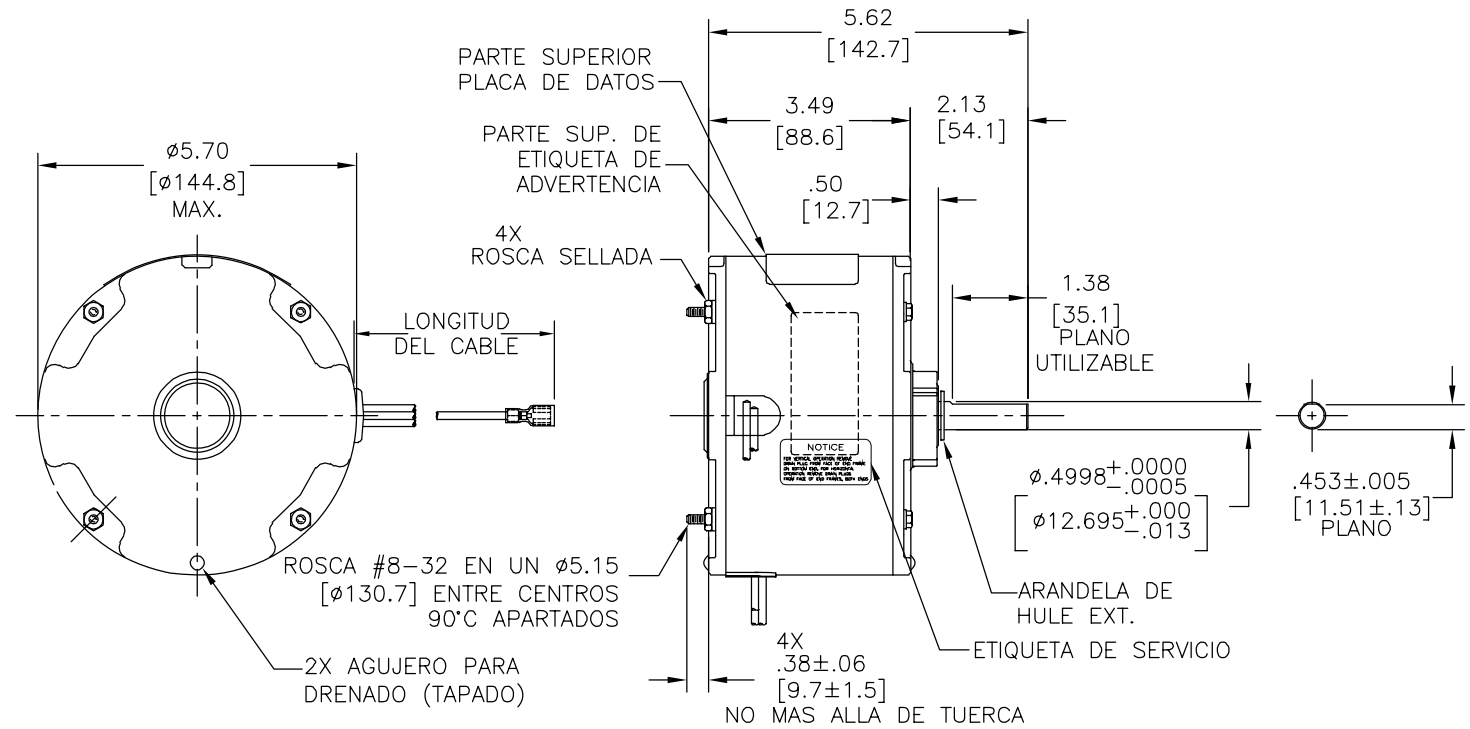
POSICION DEL MONTAJE: TODOS LOS ANGULOS

**INFORMACION ELECTRICA:**

SOBRECARGA DEL PROTECTOR: REINICIO AUTOMATICO (T.I. 7AM 036)

CABLES: NO. 18 GA., .06 [1.5] THK. PVC 105°C AISLAN.

NOTES:  
1. DISTRIBUTION CUST. P/N: OCA10106  
GRAINGER CUST. P/N: 4UY86



VER NOTA

INFORMACION DE ETIQUETA:	DIAGRAMA DE CONEXION EXTERNA
MODEL NO.: F48V58A0 CUST. P/N: [ ] HP: 1/10 ROT.: CWLE RPM: 1100 TYPE: UF FRAME: 48Y VOLTS: 208-230 PH: 1 AMPS: .7 HZ: 60 INS.: B AMB.: 40 ° C DUTY: AIR OVER CAP.: 5 MFD/370 V ENCL: ENCLOSED UL LOGO CSA LOGO THERMALLY PROTECTED	

614131-003

CAFE	44.0/47.0 [1118/1194]	.50 [12.7] HEMBRA
ROJO	44.0/47.0 [1118/1194]	.50 [12.7] HEMBRA
NEGRO	44.0/47.0 [1118/1194]	.50 [12.7] HEMBRA
	LONGITUD	TERMINAL O LONGITUD DE DESFORRE

DE CARCASA - OLE	ENCERRADO
DE TAPA - OLE	ENCERRADO W/ DRAIN HOLE
DE CARCASA - LE	ENCERRADO
DE TAPA - LE	ENCERRADO W/ DRAIN HOLE

CLIENTE    DIST. SERVICES

CURVAS DE FUNCIONAMIENTO	TORSION @ RPM (25°C)	MUESTRA APROBADA	COMPONENTE UL	CSA
C32391	10.7 OZ. FT.	0442982B	#ARCHIVO    CCN #    #ARCHIVO    CLASE #	LR43341    4211-01

CARACTERISTICAS DE GEOMETRIA Y SIMBOLOS  
 □ PLANICIDAD  
 — RECTITUD  
 < ANGULARIDAD  
 ⊥ PERPENDICULARIDAD (A ESCUADRA)  
 // PARALELISMO  
 ○ REDONDEZ (CIRCULARIDAD)  
 ∅ CILINDRICIDAD  
 △ PERFIL DE CUALQUIER SUPERFICIE  
 ∇ PERFIL DE CUALQUIER LINEA  
 ↗ VARIACION  
 ⊕ POSICION REAL  
 ⊙ CONCENTRICIDAD  
 = SIMETRIA  
 ASME Y14.5M 1994

REGAL-BELOIT CORPORATION (RBC) PROVEE ASISTENCIA TECNICA A NUESTROS CLIENTES EN VARIAS AREAS. DESDE QUE RBC NO RECIBE TODOS LOS DATOS EN RELACION AL USO Y A LA APLICACION DEL MOTOR, LA APLICACION ADECUADA DEL MOTOR DEBE SER DETERMINADA POR EL CLIENTE.  
 DIMENSIONES SIN TOLERANCIA SON DE REFERENCIA SOLAMENTE

DIBUJADO POR: GORDON    10-14-2004  
 APROBADO POR:  
 TERCER ANGULO DE PROYECCION  
 FECHA EDS: 11-11-2011  
 REV. FORMATO: G  
 CONFIDENCIAL: ESTE DIBUJO Y SU INFORMACION SON PROPIEDAD DE USO EXCLUSIVO Y CONFIDENCIAL DE REGAL-BELOIT CORPORATION. Y NO DEBERAN SER REVELADOS, DUPLICADOS, DISTRIBUIDOS O USARSE DE OTRA MANERA SIN EL CONSENTIMIENTO ESCRITO DE REGAL-BELOIT CORPORATION. -TODOS LOS DERECHOS RESERVADOS.

**REGAL-BELOIT CORPORATION**  
 DESCRIPCION: **MODEL-RFHP-48FR OUTLINE**  
 TAMAÑO: C    NUMERO DE DIBUJO: 11811-013  
 ESCALA: NONE    HOJA: 1

4

3

2

1

4

3

2

1

版本	ECO	编制	日期	批准	日期
E	0025553	F. MORENO	05-01-2012	M. AVILA	05-01-2012

总要求:

轴跳动: 0.03/25.4mm (外伸轴).

轴向窜动: .010[.25]到.063[1.60]

轴承: 球轴承.

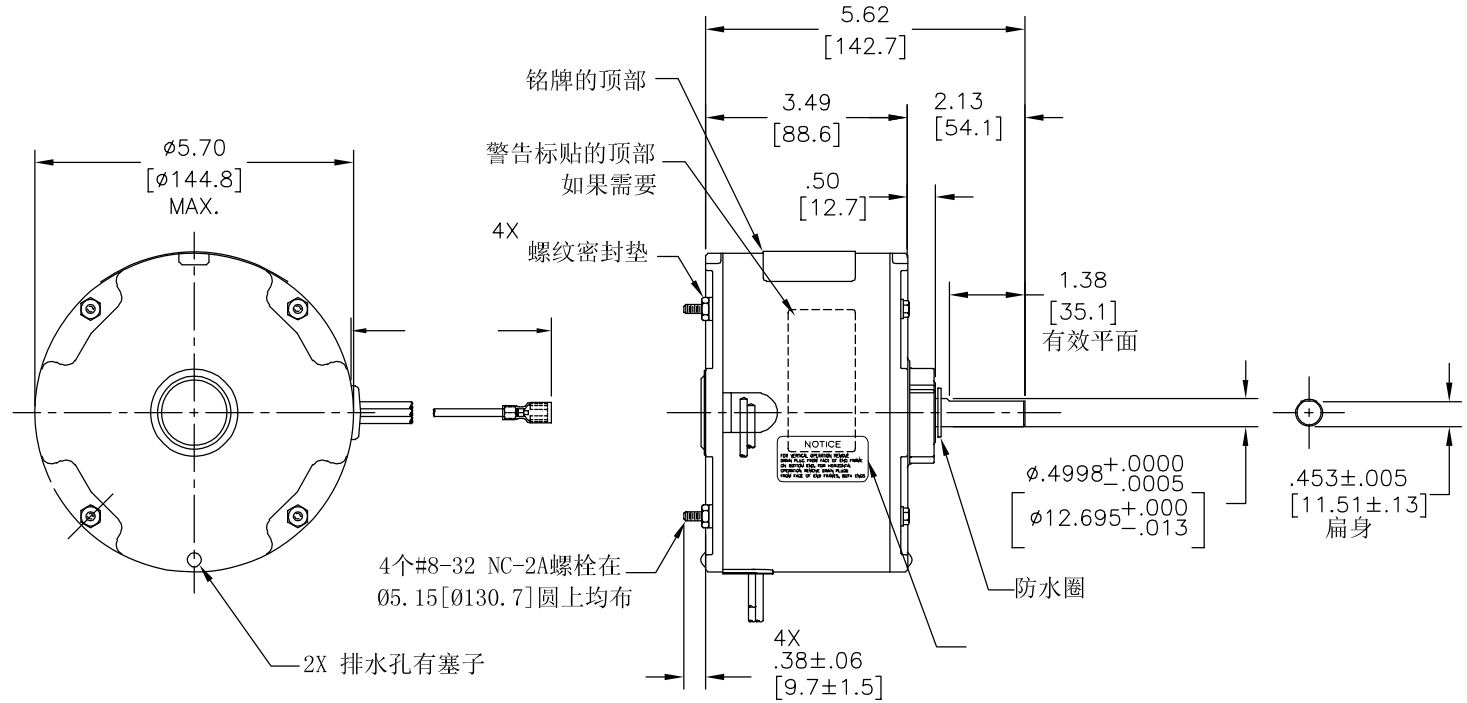
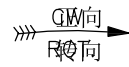
安装位置: 全方向

电气数据:

过载保护: 自动复位 (T.I. 7AM 304)

引线: 18GA, 厚.06[1.5] XLP 105°C 绝缘

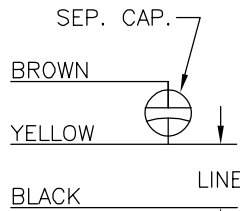
NOTES:  
1. DISTRIBUTION CUST. P/N: OCA10106  
GRAINGER CUST. P/N: 4UY86



铭牌数据

外部连接详图

MODEL NO.: F48V58A0  
CUST. P/N: [ ]  
HP: 1/10  
ROT.: CWLE  
RPM: 1100  
TYPE: UF  
FRAME: 48Y  
VOLTS: 208-230  
PH: 1  
AMPS: .7  
HZ: 60  
INS.: B  
AMB.: 40 ° C  
DUTY: AIR OVER  
CAP.: 5 MFD/370 V  
ENCL: ENCLOSED  
UL LOGO  
CSA LOGO  
THERMALLY PROTECTED



614131-003

性能曲线编号	转矩在——RPM	批准样品	UL部件		CSA	
			文件号	指南	文件号	指南
C32391	10.7 OZ. FT.	0442982B	E46412	PRGY2	LR43341	4211-01

棕	44.0/47.0 [1118/1194]	.25[6.4] 旗形
黄	44.0/47.0 [1118/1194]	.25[6.4] 旗形
黑	44.0/47.0 [1118/1194]	.25[6.4] 旗形
颜色	长度	端子或剥线长度

无引线端机壳	密封
无引线端端盖	密封 W/ DRAIN HOLE
有引线端机壳	密封
有引线端端盖	密封 W/ DRAIN HOLE

用户 DIST. SERVICES

- 形位公差
- 平面度
- 直线度
- ∠ 倾斜度
- ⊥ 垂直度
- // 平行度
- 圆度
- ⊘ 圆柱度
- △ 面轮廓度
- ∩ 线轮廓度
- ↗ 圆跳动
- ⊕ 位置度
- ⊙ 同轴度
- ≡ 对称度

ASME Y14.5M 1994

REGAL-BELOIT CORPORATION (RBC) 在个别领域为客户 提供技术支持。鉴于RBC 未收到任何涉及电机使用和 应用环境的数据, 电机的适用性 由客户自己决定。

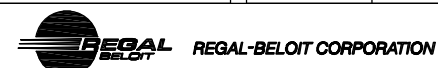
未注公差尺寸仅供参考。

绘图: GORDON 10-14-2004

批准:

第三角投影

机密: 本图纸及相关信息所有权归REGAL-BELOIT CORPORATION 未经REGAL-BELOIT CORPORATION书面授权, 不得泄露、 复制、传播或作其他用途。—版权所有



名称 MODEL-RFHP-48FR OUTLINE

图幅 C 图号 11811-013

比例 NONE 页号 1

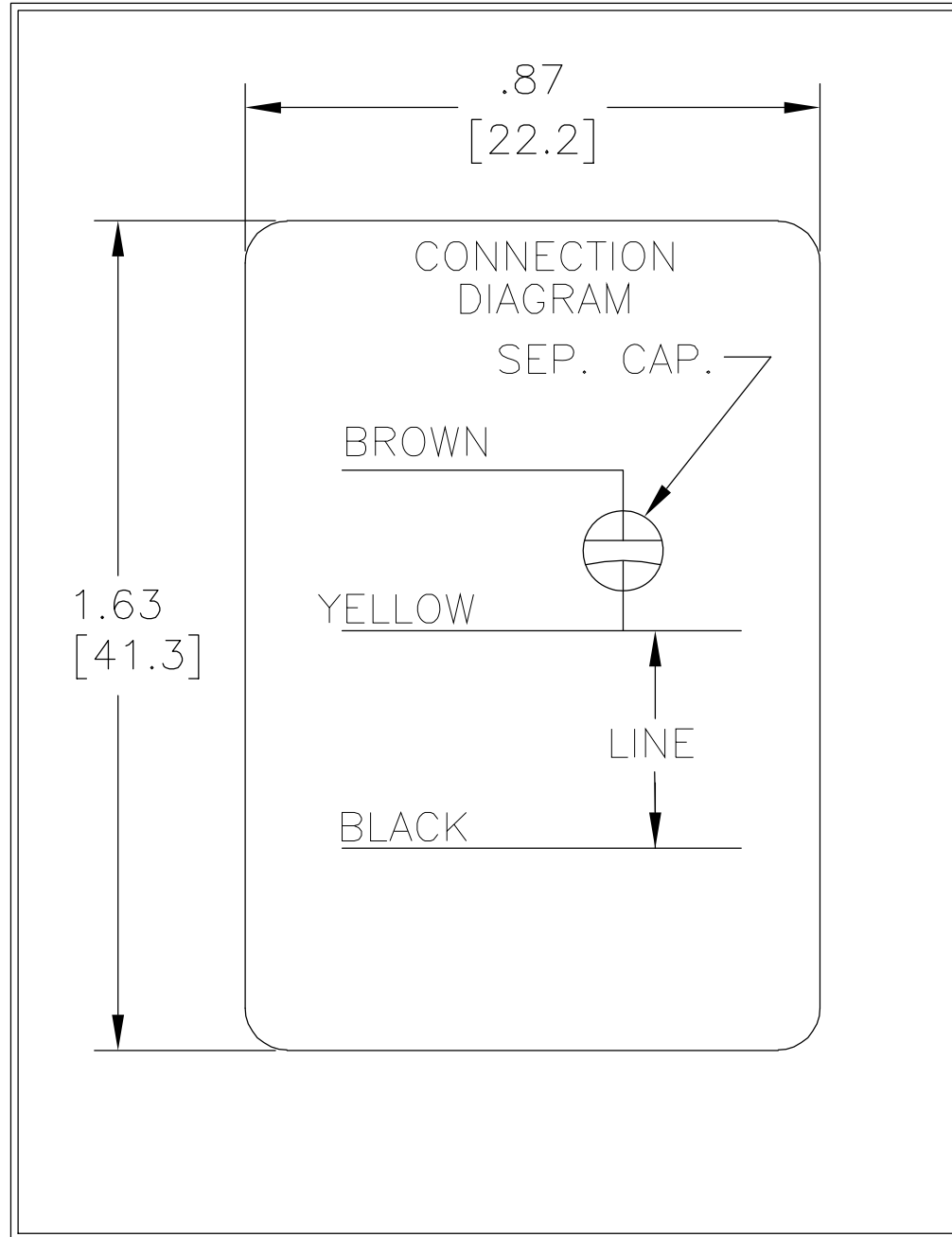
4

3

2

1

REV	ECO	REV BY	DATE	APPD	DATE
A	0017050	VICTOR MIJARES	03-01-2011	CCONTRERAS	03-01-2011



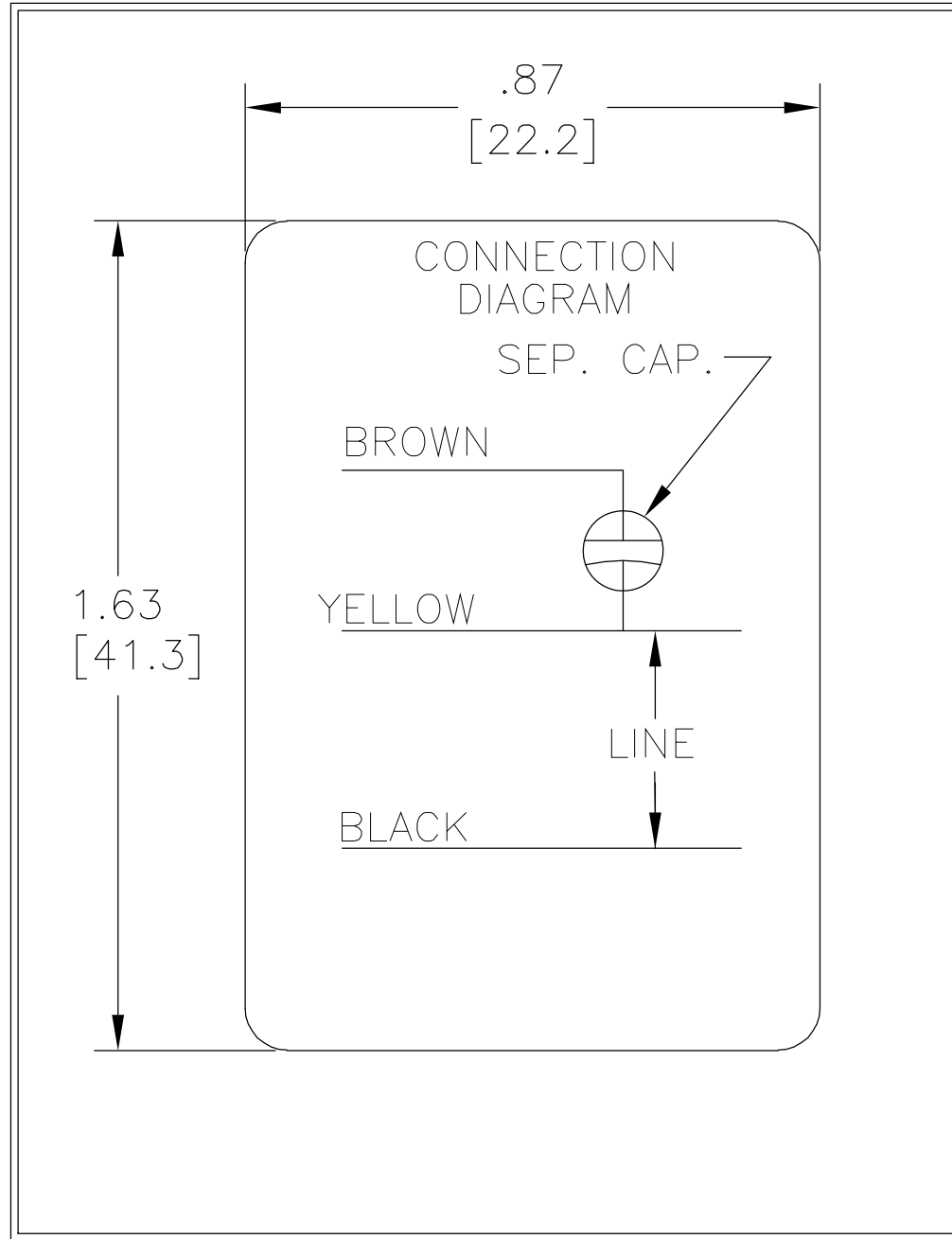
GEOMETRIC CHARACTERISTICS & SYMBOLS  
 ▭ FLATNESS  
 — STRAIGHTNESS  
 < ANGLARITY  
 ⊥ PERPENDICULARITY (SQUARENESS)  
 // PARALLELISM  
 ○ ROUNDNESS (CIRCULARITY)  
 ∅ CYLINDRICITY  
 △ PROFILE OF ANY SURFACE  
 ∩ PROFILE OF ANY LINE  
 ↑ RUNOUT  
 ⊕ TRUE POSITION  
 ⊙ CONCENTRICITY  
 = SYMMETRY

UNLESS OTHERWISE SPECIFIED  
 DIM. TOLERANCES ARE AS FOLLOWS:  
 INCH X XX XXX XXXX  
 mm ±0.1 ±0.02 ±.005 ±.0005  
 mm ±0.5 ±0.13 ±0.013  
 ANG. ±.50 DEG  
 REMOVE BURRS & BREAK SHARP EDGES:  
 INCH .003-.015 mm 0.1-0.4  
 CORNER FILLETS TO:  
 INCH .020 mm 0.5  
 MACHINE SURFACES:  
 INCH 125 mm 3.2  
 METRIC DIMS. SHOWN IN [BRACKETS]

DR BY: N.LONG 07/14/1986  
 APPD:  
 THIRD ANGLE PROJECTION EDS DATE 02-22-2008  
 FORMAT REV F  
 CONFIDENTIAL: THIS DRAWING AND ITS INFORMATION ARE THE EXCLUSIVE AND CONFIDENTIAL PROPERTY OF A.O. SMITH CORP. AND ARE NOT TO BE DISCLOSED, DUPLICATED, DISTRIBUTED OR OTHERWISE USED WITHOUT THE WRITTEN CONSENT OF A.O. SMITH CORP.  
 -ALL RIGHTS RESERVED. ASME Y14.5M 1994

		<b>ELECTRICAL PRODUCTS COMPANY</b> <small>A DIVISION OF A. O. SMITH CORPORATION</small>	
DESCRIPTION CONN DIAGRAM-NAMEPLATE			
SIZE A	DWG NO 614131-003		
SCALE NONE			SHEET 1

REVISION:	ECO	REVISADO POR:	FECHA:	APROBADO POR:	FECHA:
A	0017050	VICTOR MIJARES	03-01-2011	CCONTRERAS	03-01-2011



CARACTERISTICAS DE GEOMETRIA Y SIMBOLOS

- ▭ PLANICIDAD
- RECTITUD
- ∠ ANGULARIDAD
- ⊥ PERPENDICULARIDAD (A ESCUADRA)
- // PARALELISMO
- REDONDEZ (CIRCULARIDAD)
- ⊘ CILINDRICIDAD
- ⌒ PERFIL DE CUALQUIER SUPERFICIE
- ⌒ PERFIL DE CUALQUIER LINEA
- ↑ VARIACION
- ⊕ POSICION REAL
- ◎ CONCENTRICIDAD
- ≡ SIMETRIA

A MENOS QUE SE ESPECIFIQUE DE OTRA MANERA, LAS TOLERANCIAS DE LAS DIMS; SON LAS SIGUIENTES:

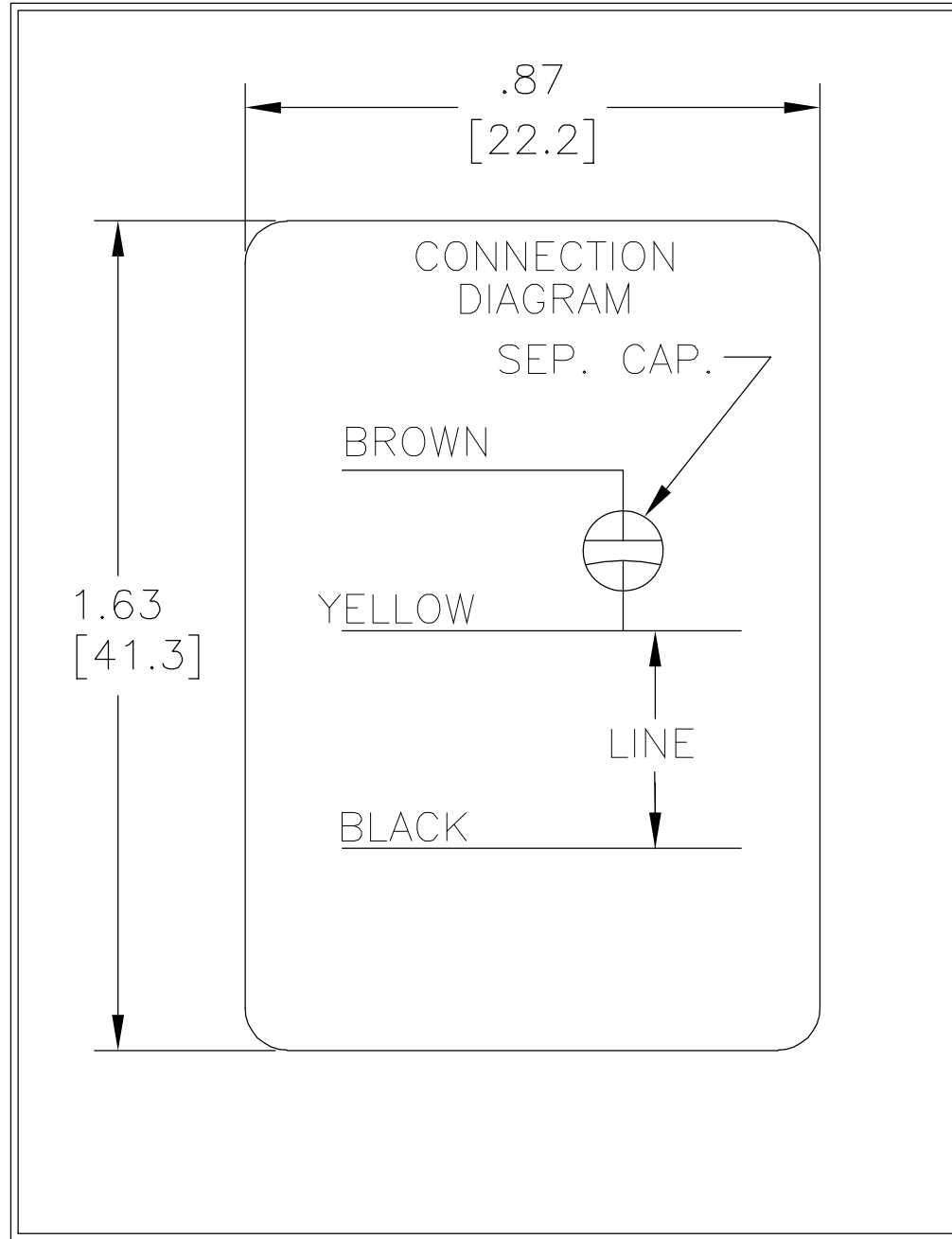
	X	XX	XXX	XXXX
PULG	±.1	±.02	±.005	±.0005
mm	±0.5	±0.13	±0.013	

ANG. ±.50 GRADOS  
 ELIMINAR REBABAS Y ORILLAS FILOSAS DEL BORDE.  
 PULG .003-.015 mm 0.1-0.4  
 FILETEAR ESQUINA: PULG .020 mm 0.5  
 MAQUINAR SUPERFICIES  
 PULG 125 mm 3.2  
 DIMS METRICAS MOSTRADAS [PARENTESIS]

DIBUJADO POR: N.LONG	07/14/1986
APROBADO POR:	
TERCER ANGULO DE PROYECCION	
FECHA EDS: 02-22-2008	REV. FORMATO: F
CONFIDENCIAL: ESTE DIBUJO Y SU INFORMACION SON PROPIEDAD DE USO EXCLUSIVO Y CONFIDENCIAL DE A.O.SMITH CORP. Y NO DEBERAN SER REVELADOS, DUPLICADOS, DISTRIBUIDOS O USARSE DE OTRA MANERA SIN EL CONSENTIMIENTO ESCRITO DE A.O. SMITH CORP. -TODOS LOS DERECHOS RESERVADOS.ASME Y14.5M 1994	

		<b>ELECTRICAL PRODUCTS COMPANY</b> A DIVISION OF A. O. SMITH CORPORATION	
DESCRIPCION: CONN DIAGRAM-NAMEPLATE			
TAMAÑO: A	NUMERO DE DIBUJO: 614131-003		
ESCALA:NONE			HOJA: 1

版本	ECO	编制	日期	批准	日期
A	0017050	VICTOR MIJARES	03-01-2011	CCONTRERAS	03-01-2011



- 形位公差
- 平面度
- 直线度
- ∠ 倾斜度
- ⊥ 垂直度
- // 平行度
- 圆度
- ⊘ 圆柱度
- △ 面轮廓度
- ∩ 线轮廓度
- ↗ 圆跳动
- ⊕ 位置度
- ◎ 同轴度
- ≡ 对称度

除另有注明  
尺寸公差如下:

	X	XX	XXX	XXXX
英寸	±.1	±.02	±.005	±.0005
毫米	±0.5	±0.13	±0.013	
角度	±.50 度			
清理毛刺和尖棱				
英寸	.003-.015	毫米	0.1-0.4	
内圆角				
英寸	.020	毫米	0.5	
表面粗糙度				
英制	125	米制	3.2	

米制尺寸显示在 [ ]

绘图:	N.LONG	07/14/1986
批准:		
第三角投影		图纸格式发布日期 02-22-2008 图纸格式版本 F
机密: 本图纸及相关信息所有权归A. O. SMITH公司所有。未经A. O. SMITH公司书面授权, 不得泄露、复制、传播或作其他用途。一版权所有		
ASME Y14.5M 1994		

		<b>ELECTRICAL PRODUCTS COMPANY</b> <small>A DIVISION OF A. O. SMITH CORPORATION</small>	
名称 CONN DIAGRAM-NAMEPLATE			
图幅	A	图号	614131-003
比例	NONE	页号	1