

# PRODUCT INFORMATION PACKET



Model No: OAN460  
Catalog No: OAN460

OEM Replacement Motor, 3/4 HP, 1 Ph, 60 Hz, 208-230 V, 1075 RPM, 1 Speed, 48 Frame, SEMI ENCLOSED



Regal and Century are trademarks of Regal Rexnord Corporation or one of its affiliated companies.  
©2022 Regal Rexnord Corporation, All Rights Reserved. MC017097E





### Nameplate Specifications

|                    |                   |                     |                      |
|--------------------|-------------------|---------------------|----------------------|
| Output HP          | <b>3/4 Hp</b>     | Output KW           | <b>0.56 kW</b>       |
| Frequency          | <b>60 Hz</b>      | Voltage             | <b>208-230 V</b>     |
| Current            | <b>5.4 A</b>      | Speed               | <b>1075 rpm</b>      |
| Service Factor     | <b>1</b>          | Phase               | <b>1</b>             |
| Duty               | <b>Air Over</b>   | Insulation Class    | <b>B</b>             |
| Frame              | <b>48Y</b>        | Enclosure           | <b>Semi Enclosed</b> |
| Thermal Protection | <b>Automatic</b>  | Ambient Temperature | <b>60 °C</b>         |
| UL                 | <b>Recognized</b> | CSA                 | <b>Y</b>             |
| CE                 | <b>N</b>          | Number of Speeds    | <b>1</b>             |

### Technical Specifications

|                   |                                  |                       |                                  |
|-------------------|----------------------------------|-----------------------|----------------------------------|
| Electrical Type   | <b>Permanent Split Capacitor</b> | Starting Method       | <b>Across The Line</b>           |
| Poles             | <b>6</b>                         | Rotation              | <b>Counterclockwise Lead End</b> |
| Mounting          | <b>Round Belly Band</b>          | Motor Orientation     | <b>Vertical Shaft Up</b>         |
| Drive End Bearing | <b>203 Ball</b>                  | Opp Drive End Bearing | <b>203 Ball</b>                  |
| Frame Material    | <b>Rolled Steel</b>              | Shaft Type            | <b>Flat</b>                      |
| Overall Length    | <b>10.24 in</b>                  | Frame Length          | <b>7.36 in</b>                   |
| Shaft Diameter    | <b>0.500 in</b>                  | Shaft Extension       | <b>2-7/8 in</b>                  |
| Outline Drawing   | <b>F48AD50A01</b>                | Connection Drawing    | <b>614131-004</b>                |

This is an uncontrolled document once printed or downloaded and is subject to change without notice. Date Created:11/28/2022

4

3

2

1

| REV | ECO     | REV BY    | DATE       | APPD     | DATE       |
|-----|---------|-----------|------------|----------|------------|
| C   | 0025553 | F. MORENO | 05-01-2012 | M. AVILA | 05-01-2012 |

GENERAL INFORMATION:

SHAFT RUNOUT: .001 [.03] T.I.R. PER INCH LENGTH OF EXTENSION

BEARINGS: BALL

MOUNTING POSITION: VERTICAL SHAFT-UP

ELECTRICAL DATA:

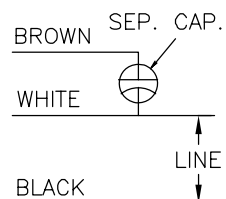
OVERLOAD PROTECTOR: AUTOMATIC RESET (T.I. 7AM 036)

LEADS: NO. 16 GA., .06 [1.5] THK., PVC 105°C INSUL.

GROUND LEAD: NO. 16 GA., .03 [.8] THK. (GREEN) INSUL.

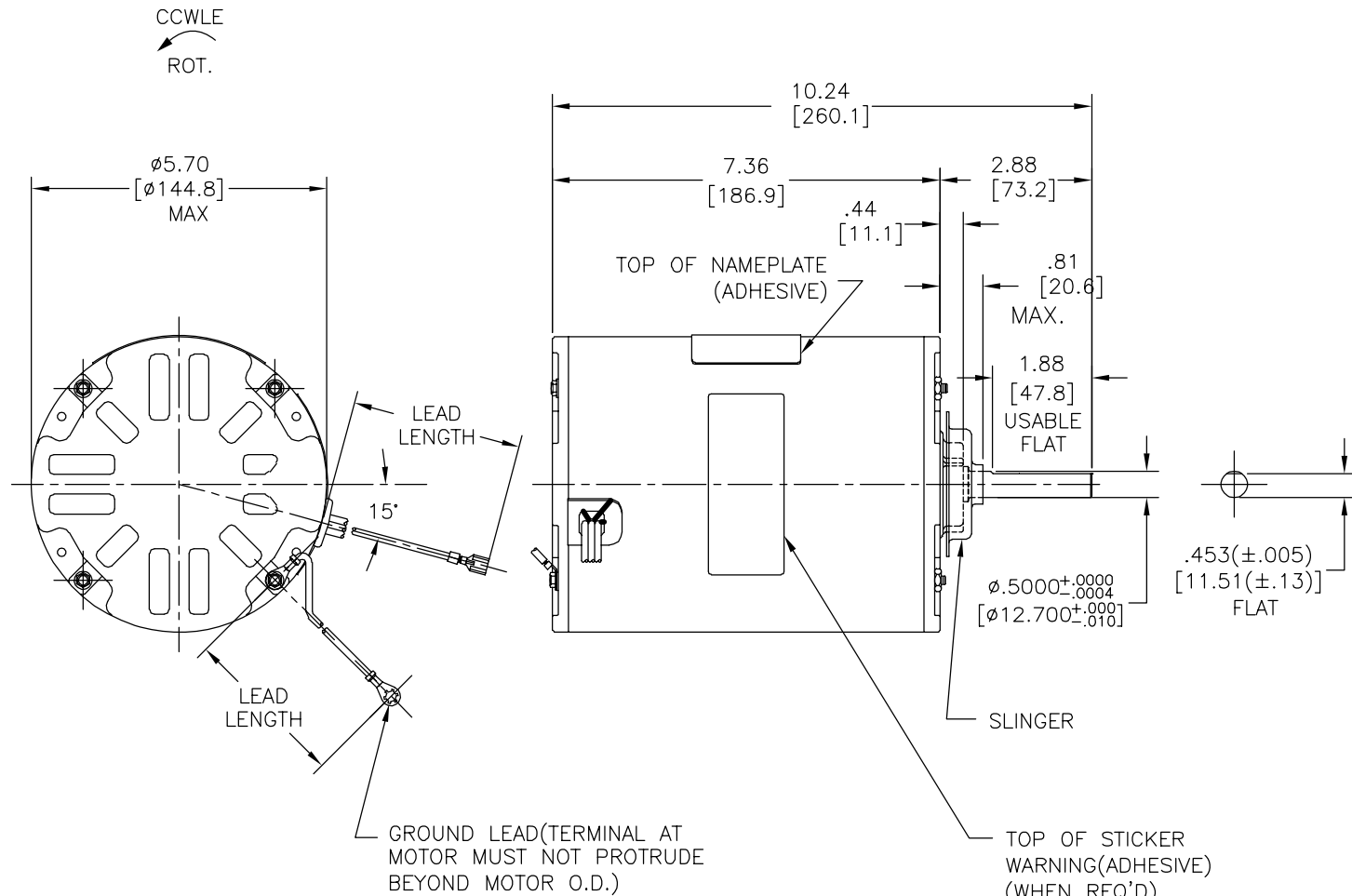
NAMEPLATE DATA: EXTERNAL CONNECTION DIAGRAM

MODEL NO.: F48AD50A01  
 CUST. P/N: OAN460  
 HP: 3/4  
 ROT.: CCWLE  
 RPM: 1075  
 TYPE: UF  
 FRAME: 48Y  
 VOLTS: 208-230  
 PH: 1  
 AMPS: 5.4  
 HZ: 60  
 INS.: B  
 AMB.: 60 °C  
 DUTY: AIR OVER  
 CAP.: 15.0 MFD/370V  
 ENCL: SEMI-ENCL.  
 UL LOGO  
 CSA LOGO  
 THERMALLY PROTECTED



614131-004

| PERFORMANCE CURVE NO. | TORQUE @ 1075 RPM (25°C) | APPROVED SAMPLE | UL COMPONENT |       | CSA     |         |
|-----------------------|--------------------------|-----------------|--------------|-------|---------|---------|
|                       |                          |                 | FILE #       | CCN # | FILE #  | CLASS # |
| C31571                | 85.9 OZ. FT.             | F48K44A27       | E46412       | PRGY2 | LR43341 | 4211-01 |



|             |                        |                          |
|-------------|------------------------|--------------------------|
| GREEN (GRD) | 9.0/10.0 [229/254]     | #10 EYELET               |
| BROWN       | 96.0/100.0 [2438/2540] | .25 [6.4] FEMALE SPADE   |
| WHITE       | 96.0/100.0 [2438/2540] | .25 [6.4] FEMALE SPADE   |
| BLACK       | 96.0/100.0 [2438/2540] | .25 [6.4] FEMALE SPADE   |
| COLOR       | LENGTH                 | TERMINAL OR STRIP LENGTH |

|                  |          |
|------------------|----------|
| MAIN FRAME - OLE | ENCLOSED |
| END FRAME - OLE  | ENCLOSED |
| MAIN FRAME - LE  | ENCLOSED |
| END FRAME - LE   | ENCLOSED |

|          |                      |
|----------|----------------------|
| CUSTOMER | DISTRIBUTION SERVICE |
|----------|----------------------|

GEOMETRIC CHARACTERISTICS & SYMBOLS  
 □ FLATNESS  
 - STRAIGHTNESS  
 < ANGLARITY  
 ⊥ PERPENDICULARITY (SQUARENESS)  
 // PARALLELISM  
 ○ ROUNDNESS (CIRCULARITY)  
 ∅ CYLINDRICITY  
 △ PROFILE OF ANY SURFACE  
 ∩ PROFILE OF ANY LINE  
 ↗ RUNOUT  
 ⊕ TRUE POSITION  
 ⊙ CONCENTRICITY  
 = SYMMETRY  
 ASME Y14.5M 1994

REGAL-BELOIT CORPORATION (RBC) PROVIDES TECHNICAL ASSISTANCE TO OUR CUSTOMERS IN SEVERAL AREAS. SINCE RBC DOES NOT RECEIVE ALL DATA CONCERNING THE USE AND APPLICATION OF THE MOTOR, THE SUITABILITY OF THE MOTOR FOR THE APPLICATION MUST BE DETERMINED BY THE CUSTOMER.  
 DIMENSIONS WITHOUT TOLERANCES ARE FOR REFERENCE ONLY.

DR BY: MH 10-22-2009  
 APPD: TR 10-22-2009  
 THIRD ANGLE PROJECTION  
 EDS DATE 11-11-2011  
 FORMAT REV G  
 CONFIDENTIAL: THIS DRAWING AND ITS INFORMATION ARE THE EXCLUSIVE AND CONFIDENTIAL PROPERTY OF REGAL-BELOIT CORPORATION AND ARE NOT TO BE DISCLOSED, DUPLICATED, DISTRIBUTED OR OTHERWISE USED WITHOUT THE WRITTEN CONSENT OF REGAL-BELOIT CORPORATION. -ALL RIGHTS RESERVED.

REGAL-BELOIT CORPORATION  
 DESCRIPTION: MODEL-RFHP-48FR OUTLINE  
 SIZE: C DWG NO: F48AD50A01  
 SCALE: NONE SHEET: 1

4

3

2

1

4

3

2

1

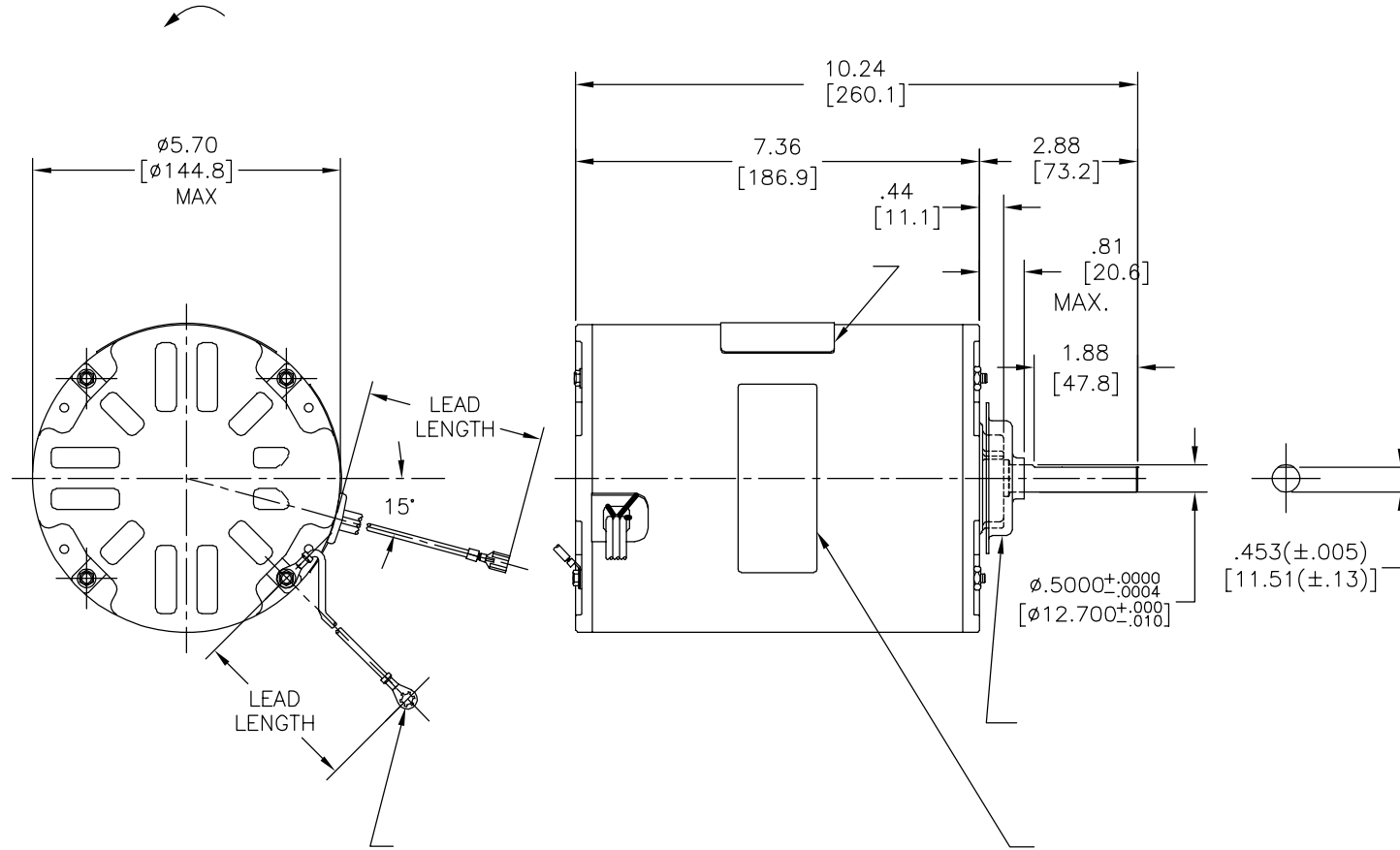
|           |         |               |            |               |            |
|-----------|---------|---------------|------------|---------------|------------|
| REVISION: | ECO     | REVISADO POR: | FECHA:     | APROBADO POR: | FECHA:     |
| C         | 0025553 | F. MORENO     | 05-01-2012 | M. AVILA      | 05-01-2012 |

INFORMACION GENERAL:

OSCILACION DE FLECHA: -  
 BALEROS: -  
 POSICION DEL MONTAJE: -

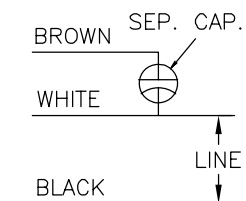
INFORMACION ELECTRICA:

PROTECTOR DE SOBRECARGA: -  
 CABLES: -  
 CABLE DE TIERRA: -



| INFORMACION DE ETIQUETA: | DIAGRAMA DE CONEXION EXTRNA |
|--------------------------|-----------------------------|
|--------------------------|-----------------------------|

MODEL NO.: F48AD50A01  
 CUST. P/N: OAN460  
 HP: 3/4  
 ROT.: CCWLE  
 RPM: 1075  
 TYPE: UF  
 FRAME: 48Y  
 VOLTS: 208-230  
 PH: 1  
 AMPS: 5.4  
 HZ: 60  
 INS.: B  
 AMB.: 60 °C  
 DUTY: AIR OVER  
 CAP.: 15.0 MFD/370V  
 ENCL: SEMI-ENCL.  
 UL LOGO  
 CSA LOGO  
 THERMALLY PROTECTED



614131-004

| CURVAS DE FUNCIONAMIENTO | TORSION @ RPM (25°C) | MUESTRA APROBADA | COMPONENTE UL |       | CSA      |         |
|--------------------------|----------------------|------------------|---------------|-------|----------|---------|
|                          |                      |                  | #ARCHIVO      | CCN # | #ARCHIVO | CLASE # |
| C31571                   | 85.9 OZ. FT.         | F48K44A27        | E46412        | PRGY2 | LR43341  | 4211-01 |

|   |                           |   |
|---|---------------------------|---|
| - | 9.0/10.0<br>[229/254]     | - |
| - | 96.0/100.0<br>[2438/2540] | - |
| - | 96.0/100.0<br>[2438/2540] | - |
| - | 96.0/100.0<br>[2438/2540] | - |

|               |   |
|---------------|---|
| CARCASA - LOC | - |
| TAPA - LOC    | - |
| CARCASA - LC  | - |
| TAPA - LC     | - |

|         |                      |
|---------|----------------------|
| CLIENTE | DISTRIBUTION SERVICE |
|---------|----------------------|

|       |          |                                 |
|-------|----------|---------------------------------|
| COLOR | LONGITUD | TERMINAL O LONGITUD DE DESFORRE |
|-------|----------|---------------------------------|

REGAL-BELOIT CORPORATION (RBC) PROVEE ASISTENCIA TECNICA A NUESTROS CLIENTES EN VARIAS AREAS. DESDE QUE RBC NO RECIBE TODOS LOS DATOS EN RELACION AL USO Y A LA APLICACION DEL MOTOR, LA APLICACION ADECUADA DEL MOTOR DEBE SER DETERMINADA POR EL CLIENTE.

DIMENSIONES SIN TOLERANCIA SON DE REFERENCIA SOLAMENTE

DIBUJADO POR: MH 10-22-2009  
 APROBADO POR: TR 10-22-2009  
 TERCER ANGULO DE PROYECCION  
 CONFIDENCIAL: ESTE DIBUJO Y SU INFORMACION SON PROPIEDAD DE USO EXCLUSIVO Y CONFIDENCIAL DE REGAL-BELOIT CORPORATION. Y NO DEBERAN SER REVELADOS, DUPLICADOS, DISTRIBUIDOS O USARSE DE OTRA MANERA SIN EL CONSENTIMIENTO ESCRITO DE REGAL-BELOIT CORPORATION. -TODOS LOS DERECHOS RESERVADOS.

REGAL-BELOIT CORPORATION  
 DESCRIPCION: MODEL-RFHP-48FR OUTLINE  
 TAMAÑO: C NUMERO DE DIBUJO: F48AD50A01  
 ESCALA: NONE HOJA: 1

CARACTERISTICAS DE GEOMETRIA Y SIMBOLOS  
 □ PLANICIDAD  
 - RECTITUD  
 < ANGULARIDAD  
 ⊥ PERPENDICULARIDAD (A ESCUADRA)  
 // PARALELISMO  
 ○ REDONDEZ (CIRCULARIDAD)  
 ∅ CILINDRICIDAD  
 △ PERFIL DE CUALQUIER SUPERFICIE  
 ∩ PERFIL DE CUALQUIER LINEA  
 ↗ VARIACION  
 ⊕ POSICION REAL  
 ⊙ CONCENTRICIDAD  
 = SIMETRIA ASME Y14.5M 1994

4

3

2

1

4 3 2 1

|    |         |           |            |          |            |
|----|---------|-----------|------------|----------|------------|
| 版本 | ECO     | 编制        | 日期         | 批准       | 日期         |
| C  | 0025553 | F. MORENO | 05-01-2012 | M. AVILA | 05-01-2012 |

总技术要求:

轴跳动:

轴承:

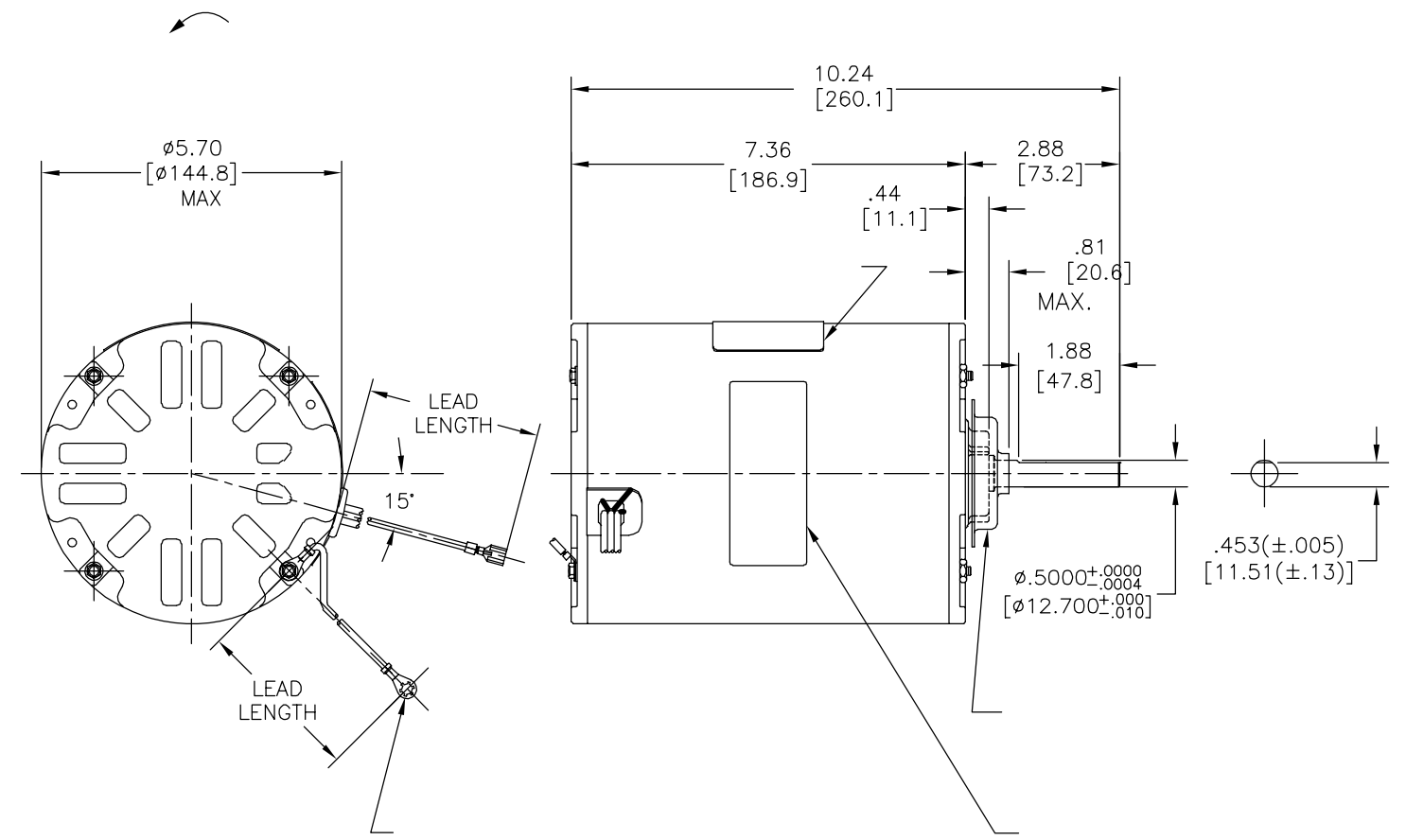
安装位置:

电气数据:

过载保护:

引线:

接地线:



| 铭牌数据   | 外部数据线 |
|--|-------|
| MODEL NO.: F48AD50A01<br>CUST. P/N: OAN460<br>HP: 3/4<br>ROT.: CCWLE<br>RPM: 1075<br>TYPE: UF<br>FRAME: 48Y<br>VOLTS: 208-230<br>PH: 1<br>AMPS: 5.4<br>HZ: 60<br>INS.: B<br>AMB.: 60 °C<br>DUTY: AIR OVER<br>CAP.: 15.0 MFD/370V<br>ENCL: SEMI-ENCL.<br>UL LOGO<br>CSA LOGO<br>THERMALLY PROTECTED |       |

|        |                          |           |        |       |         |         |
|--------|--------------------------|-----------|--------|-------|---------|---------|
| 性能曲线编号 | 转矩在 @ --- RPM<br>(25° C) | 批准样品      | UL部件   |       | CSA     |         |
| C31571 | 85.9 OZ. FT.             | F48K44A27 | 文件号    | 指南    | 文件号     | 指南      |
|        |                          |           | E46412 | PRGY2 | LR43341 | 4211-01 |

|    | 9.0/10.0<br>[229/254]     |         |
|----|---------------------------|---------|
|    | 96.0/100.0<br>[2438/2540] |         |
|    | 96.0/100.0<br>[2438/2540] |         |
|    | 96.0/100.0<br>[2438/2540] |         |
| 颜色 | 长度                        | 端子或剥线长度 |

|        |  |
|--------|--|
| 无引线端机壳 |  |
| 无引线端端盖 |  |
| 有引线端机壳 |  |
| 有引线端端盖 |  |
| 密封性    |  |

|    |                      |
|----|----------------------|
| 用户 | DISTRIBUTION SERVICE |
|----|----------------------|

|   |                  |
|---|------------------|
| 形位公差<br>□ 平面度<br>— 直线度<br>< 倾斜度<br>⊥ 垂直度<br>// 平行度<br>○ 圆度<br>⊙ 圆柱度<br>△ 面轮廓度<br>⊖ 线轮廓度<br>↗ 圆跳动<br>⊕ 位置度<br>⊙ 同轴度<br>≡ 对称度 | ASME Y14.5M 1994 |
|---|------------------|

REGAL-BELOIT CORPORATION (RBC) 在个别领域为客户提供技术支持。鉴于RBC未收到任何涉及电机使用和应用环境的数据，电机的适用性由客户自己决定。

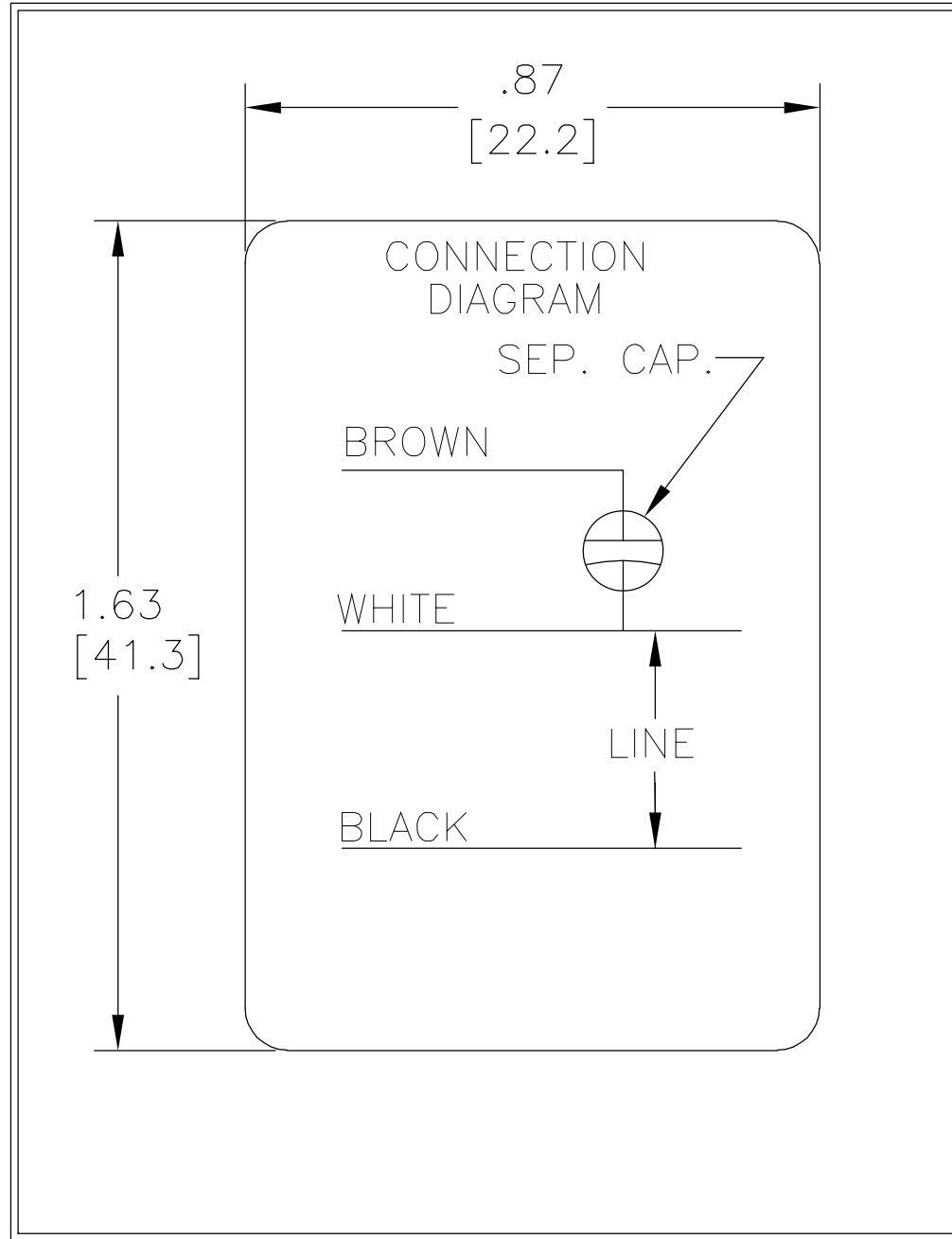
未注公差尺寸仅供参考。

|   |    |                                 |
|---|----|---------------------------------|
| 绘图:   | MH | 10-22-2009                      |
| 批准:   | TR | 10-22-2009                      |
| 第三角投影   |    | 图纸格式发布日期 11-11-2011<br>图纸格式版本 G |
| 机密: 本图纸及相关信息所有权归REGAL-BELOIT CORPORATION。未经REGAL-BELOIT CORPORATION书面授权, 不得泄露、复制、传播或作其他用途。一版权所有 |    |                                 |

|                                  |                  |
|----------------------------------|------------------|
|                                  |                  |
| 名称<br>MODEL-RFHP-48FR<br>OUTLINE |                  |
| 图幅<br>C                          | 图号<br>F48AD50A01 |
| 比例<br>NONE                       | 页号<br>1          |

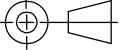
4 3 2 1


| REV | ECO     | REV BY         | DATE       | APPD       | DATE       |
|-----|---------|----------------|------------|------------|------------|
| A   | 0017050 | VICTOR MIJARES | 03-01-2011 | CCONTRERAS | 03-01-2011 |



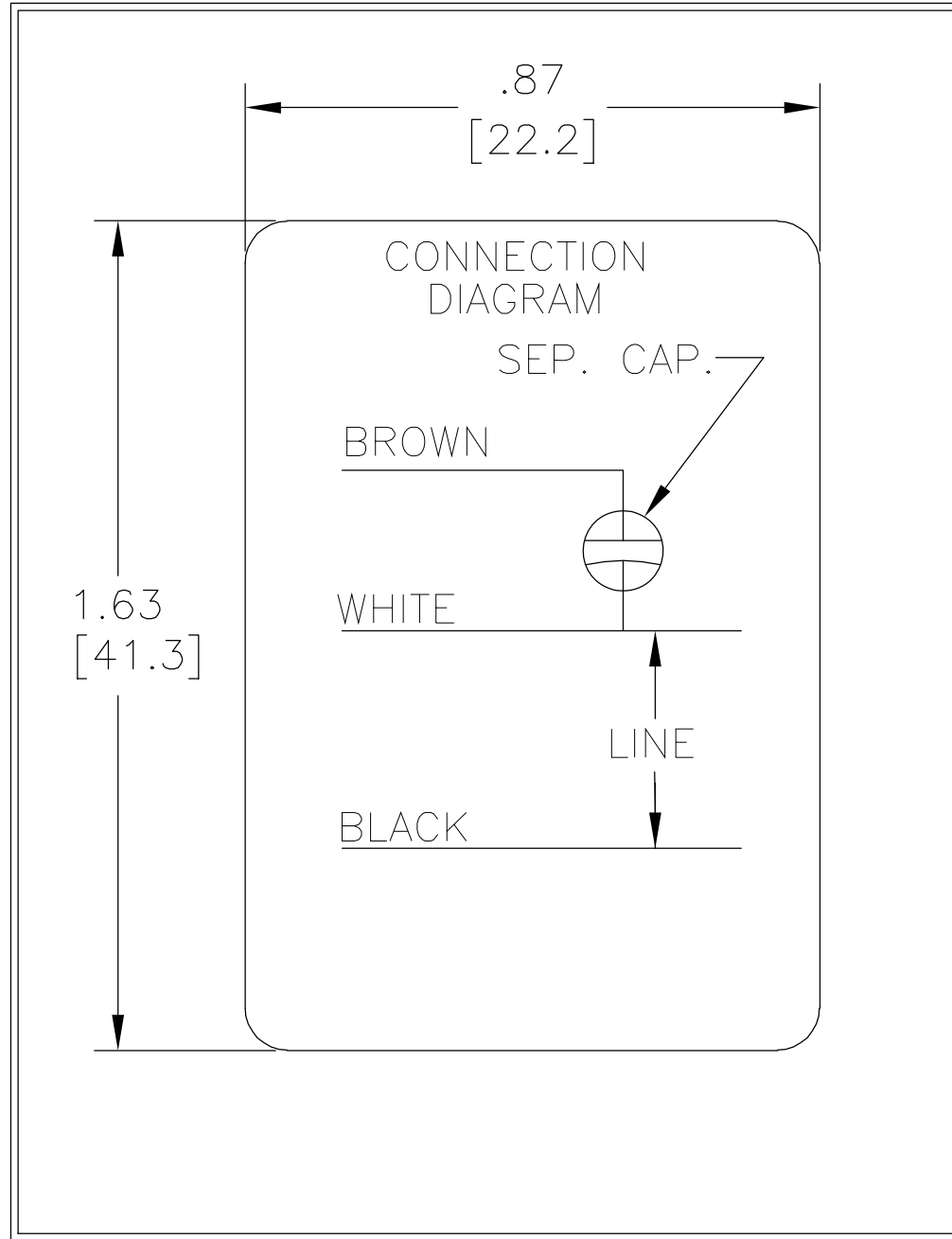
GEOMETRIC CHARACTERISTICS & SYMBOLS  
 ▭ FLATNESS  
 — STRAIGHTNESS  
 < ANGULARITY  
 ⊥ PERPENDICULARITY (SQUARENESS)  
 // PARALLELISM  
 ○ ROUNDNESS (CIRCULARITY)  
 ∅ CYLINDRICITY  
 △ PROFILE OF ANY SURFACE  
 ∩ PROFILE OF ANY LINE  
 ↑ RUNOUT  
 ⊕ TRUE POSITION  
 ⊙ CONCENTRICITY  
 ≡ SYMMETRY

UNLESS OTHERWISE SPECIFIED  
 DIM. TOLERANCES ARE AS FOLLOWS:  
 INCH X XX XXX XXXX  
 ±.1 ±.02 ±.005 ±.0005  
 mm ±0.5 ±0.13 ±0.013  
 ANG. ±.50 DEG  
 REMOVE BURRS & BREAK SHARP EDGES:  
 INCH .003-.015 mm 0.1-0.4  
 CORNER FILLETS TO:  
 INCH .020 mm 0.5  
 MACHINE SURFACES:  
 INCH 125 mm 3.2  
 METRIC DIMS. SHOWN IN [BRACKETS]

DR BY: N.LONG 07/14/1986  
 APPD:  
 THIRD ANGLE PROJECTION  EDS DATE 02-22-2008  
 FORMAT REV F  
 CONFIDENTIAL: THIS DRAWING AND ITS INFORMATION ARE THE EXCLUSIVE AND CONFIDENTIAL PROPERTY OF A.O. SMITH CORP. AND ARE NOT TO BE DISCLOSED, DUPLICATED, DISTRIBUTED OR OTHERWISE USED WITHOUT THE WRITTEN CONSENT OF A.O. SMITH CORP.  
 -ALL RIGHTS RESERVED. ASME Y14.5M 1994

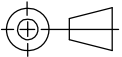
|   |                      |
|---|----------------------|
|  <b>ELECTRICAL PRODUCTS COMPANY</b><br><small>innovation has a name. A DIVISION OF A. O. SMITH CORPORATION</small> |                      |
| DESCRIPTION<br>CONN DIAGRAM-NAMEPLATE   |                      |
| SIZE<br>A   | DWG NO<br>614131-004 |
| SCALE<br>NONE   | SHEET<br>1           |


|           |         |                |            |               |            |
|-----------|---------|----------------|------------|---------------|------------|
| REVISION: | ECO     | REVISADO POR:  | FECHA:     | APROBADO POR: | FECHA:     |
| A         | 0017050 | VICTOR MIJARES | 03-01-2011 | CCONTRERAS    | 03-01-2011 |



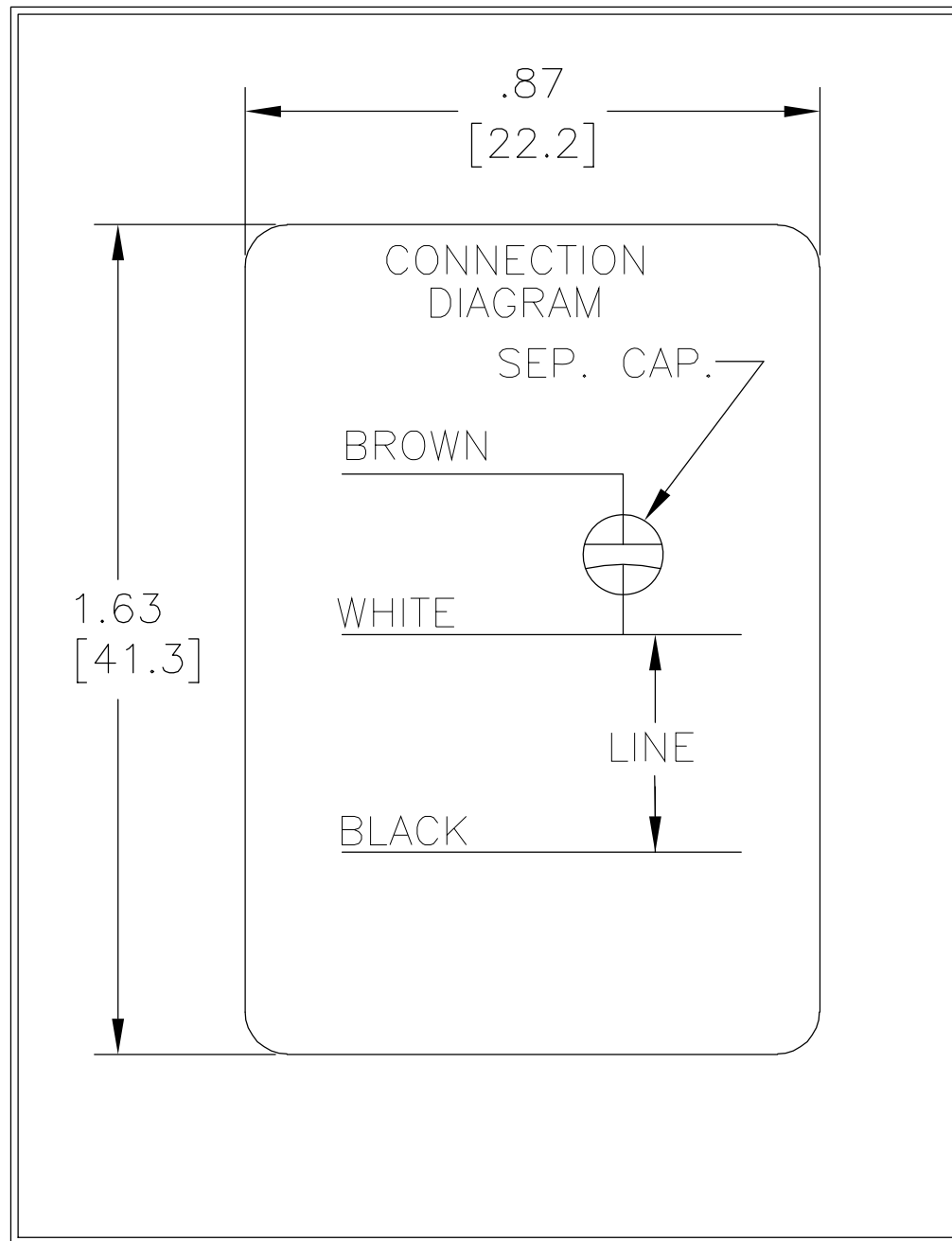
CARACTERISTICAS DE GEOMETRIA Y SIMBOLOS  
 ▯ PLANICIDAD  
 — RECTITUD  
 < ANGULARIDAD  
 ⊥ PERPENDICULARIDAD (A ESCUADRA)  
 // PARALELISMO  
 ○ REDONDEZ (CIRCULARIDAD)  
 ∅ CILINDRICIDAD  
 △ PERFIL DE CUALQUIER SUPERFICIE  
 ∩ PERFIL DE CUALQUIER LINEA  
 ↑ VARIACION  
 ⊕ POSICION REAL  
 ⊙ CONCENTRICIDAD  
 ≡ SIMETRIA

A MENOS QUE SE ESPECIFIQUE DE OTRA MANERA, LAS TOLERANCIAS DE LAS DIMS; SON LAS SIGUIENTES:  
 X XX XXX XXXX  
 PULG ±.1 ±.02 ±.005 ±.0005  
 mm ±0.5 ±0.13 ±0.013  
 ANG. ±.50 GRADOS  
 ELIMINAR REBABAS Y ORILLAS FILOSAS DEL BORDE.  
 PULG .003-.015 mm 0.1-0.4  
 FILETEAR ESQUINA: PULG .020 mm 0.5  
 MAQUINAR SUPERFICIES  
 PULG 125 mm 3.2  
 DIMS METRICAS MOSTRADAS [PARENTESIS]

DIBUJADO POR: N.LONG 07/14/1986  
 APROBADO POR:  
 TERCER ANGULO DE PROYECCION  FECHA EDS: 02-22-2008  
 REV. FORMATO: F  
 CONFIDENCIAL: ESTE DIBUJO Y SU INFORMACION SON PROPIEDAD DE USO EXCLUSIVO Y CONFIDENCIAL DE A.O.SMITH CORP. Y NO DEBERAN SER REVELADOS, DUPLICADOS, DISTRIBUIDOS O USARSE DE OTRA MANERA SIN EL CONSENTIMIENTO ESCRITO DE A.O. SMITH CORP.  
 -TODOS LOS DERECHOS RESERVADOS.ASME Y14.5M 1994

|  |                              |
|--|------------------------------|
|  <b>ELECTRICAL PRODUCTS COMPANY</b><br><small>A DIVISION OF A. O. SMITH CORPORATION</small> |                              |
| DESCRIPCION: CONN DIAGRAM-NAMEPLATE  |                              |
| TAMAÑO: A  | NUMERO DE DIBUJO: 614131-004 |
| ESCALA: NONE   | HOJA: 1                      |

|    |         |                |            |            |            |
|----|---------|----------------|------------|------------|------------|
| 版本 | ECO     | 编制             | 日期         | 批准         | 日期         |
| A  | 0017050 | VICTOR MIJARES | 03-01-2011 | CCONTRERAS | 03-01-2011 |



- 形位公差
- 平面度
- 直线度
- ∠ 倾斜度
- ⊥ 垂直度
- // 平行度
- 圆度
- ⊘ 圆柱度
- △ 面轮廓度
- ∩ 线轮廓度
- ↗ 圆跳动
- ⊕ 位置度
- ◎ 同轴度
- ≡ 对称度

除另有注明  
尺寸公差如下:

|    |      |       |        |        |
|----|------|-------|--------|--------|
| 英寸 | ±.1  | ±.02  | ±.005  | ±.0005 |
| 毫米 | ±0.5 | ±0.13 | ±0.013 |        |

角度 ±.50 度  
清理毛刺和尖棱  
英寸 .003-.015 毫米 0.1-0.4  
内圆角  
英寸 .020 毫米 0.5  
表面粗糙度  
英制 125 米制 3.2  
米制尺寸显示在 [ ]

|   |        |                                 |
|---|--------|---------------------------------|
| 绘图:   | N.LONG | 07/14/1986                      |
| 批准:   |        |                                 |
| 第三角投影   |        | 图纸格式发布日期 02-22-2008<br>图纸格式版本 F |
| 机密: 本图纸及相关信息所有权归A. O. SMITH公司所有。<br>未经A. O. SMITH公司书面授权, 不得泄露、复制、传播或作<br>其他用途。—版权所有 |        |                                 |
| ASME Y14.5M 1994  |        |                                 |

|                              |      |  |            |
|------------------------------|------|--|------------|
|                              |      | <b>ELECTRICAL PRODUCTS COMPANY</b><br><small>A DIVISION OF A. O. SMITH CORPORATION</small> |            |
| 名称<br>CONN DIAGRAM-NAMEPLATE |      |  |            |
| 图幅                           | A    | 图号   | 614131-004 |
| 比例                           | NONE | 页号   | 1          |