

# PRODUCT INFORMATION PACKET



Model No: K104  
Catalog No: K104

1.5 HP General Purpose Farm Duty Motor, 1 phase, 1800 RPM, 230/115 V, 145T Frame, TEFC  
General Purpose Farm Duty Motors



Regal and Century are trademarks of Regal Rexnord Corporation or one of its affiliated companies.  
©2021 Regal Rexnord Corporation, All Rights Reserved. MC017097E





**Nameplate Specifications**

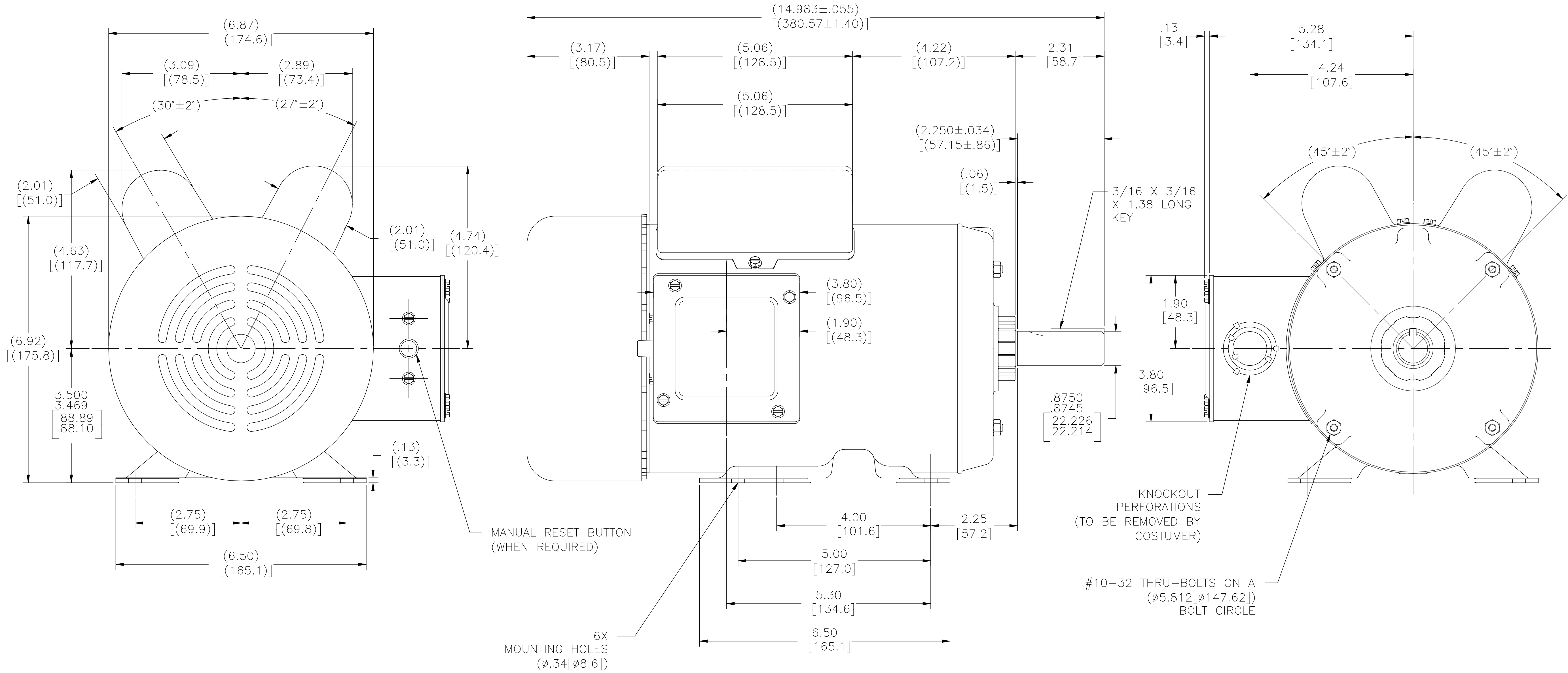
Output HP	1.5 Hp	Output KW	1.1 kW
Frequency	60 Hz	Voltage	230/115 V
Current	7.5/15.0 A	Speed	1745 rpm
Service Factor	1.15	Phase	1
Duty	Continuous	Insulation Class	B
Frame	P145T	Enclosure	Totally Enclosed Fan Cooled
Thermal Protection	Thermally Protected	Ambient Temperature	40 °C
UL	Recognized	CSA	Y
CE	N	Number of Speeds	1

**Technical Specifications**

Electrical Type	Capacitor Start, Capacitor Run, Single Or Dual Voltage	Starting Method	Across The Line
Poles	4	Rotation	Reversible Counterclockwise
Mounting	Rigid Base	Drive End Bearing	Ball
Opp Drive End Bearing	Ball	Frame Material	Rolled Steel
Shaft Type	Keyed	Overall Length	14.98 in
Frame Length	8.00 in	Shaft Diameter	0.875 in
Shaft Extension	2.31 in		
Outline Drawing	170304-S01	Connection Drawing	17050307.PCX

This is an uncontrolled document once printed or downloaded and is subject to change without notice. Date Created:10/12/2021

ALL DIMENSIONS SHOWN IN PARENTHESIS ARE REFERENCE DIMENSIONS.



TYPE	FRAME
CP	P145T

DRAWING REVISION	REVISION BY	DATE	TOLERANCES UNLESS OTHERWISE SPECIFIED	DRAWN BY:	Regal Beloit America, Inc.
L	A. BAUGHMAN	12-02-2016	INCH mm ANGLE	PLM	
ECC	APPROVED BY	DATE	X ±0.1 ±2.5 ±0.5	DATE:	
ECC DESCRIPTION	A. BAUGHMAN	12-02-2016	XX ±0.02 ±0.51	10-26-1984	
UPDATED TO NEW REGAL TITLEBLOCK			XXX ±0.005 ±0.127	APPROVED BY:	DESCRIPTION MODEL-IHP OUTLINE
COPYRIGHT REGAL BELOIT AMERICA, INC. ALL RIGHTS RESERVED. PROPRIETARY AND CONFIDENTIAL INFORMATION. THE DOCUMENT IS THE PROPERTY OF REGAL BELOIT AMERICA, INC. (OWNER) AND CONTAINS OWNER'S PROPRIETARY INFORMATION. BY FEDERAL CORPORATION OR OTHER FORM, RESERVE IT IS REMOVED BY RECEIVING IT TO AGREE THAT IT AND/OR ANY PART OF IT, SHALL NOT BE DISCLOSED TO ANY PERSON, CORPORATION OR OTHER ENTITY, AND/OR USED, COPIED AS EXPRESSLY APPROVED IN WRITING IN ADVANCE BY OWNER. THIS DOCUMENT SHALL BE RETURNED TO OWNER UPON REQUEST. IT MAY BE SUBJECT TO CERTAIN RESTRICTIONS UNDER APPLICABLE EXPORT CONTROL LAWS AND REGULATIONS.			.XXXX ±0.0005 ±0.0127 REMOVE BURRS & BREAK SHARP EDGES .003/.015 1076/3811 X 45° CORNER FILLETS R.02 L511 MACHINED SURFACES: INCH mm mm SHOWN IN [BRACKETS]	MH DATE: 10-31-1984 REFERENCE:	
			MATERIAL	PROCESS/FINISH	SIZE (DWG NO)
					170304
					SHEET
					1