

PRODUCT INFORMATION PACKET



Model No: H852L

Catalog No: H852L

Fan and Blower Motor, 1.0 HP, 3 Ph, 60 Hz, 460/200-230 V, 1800 RPM, M56H Frame, ODP



Regal and Century are trademarks of Regal Rexnord Corporation or one of its affiliated companies.

©2023 Regal Rexnord Corporation, All Rights Reserved. MC017097E





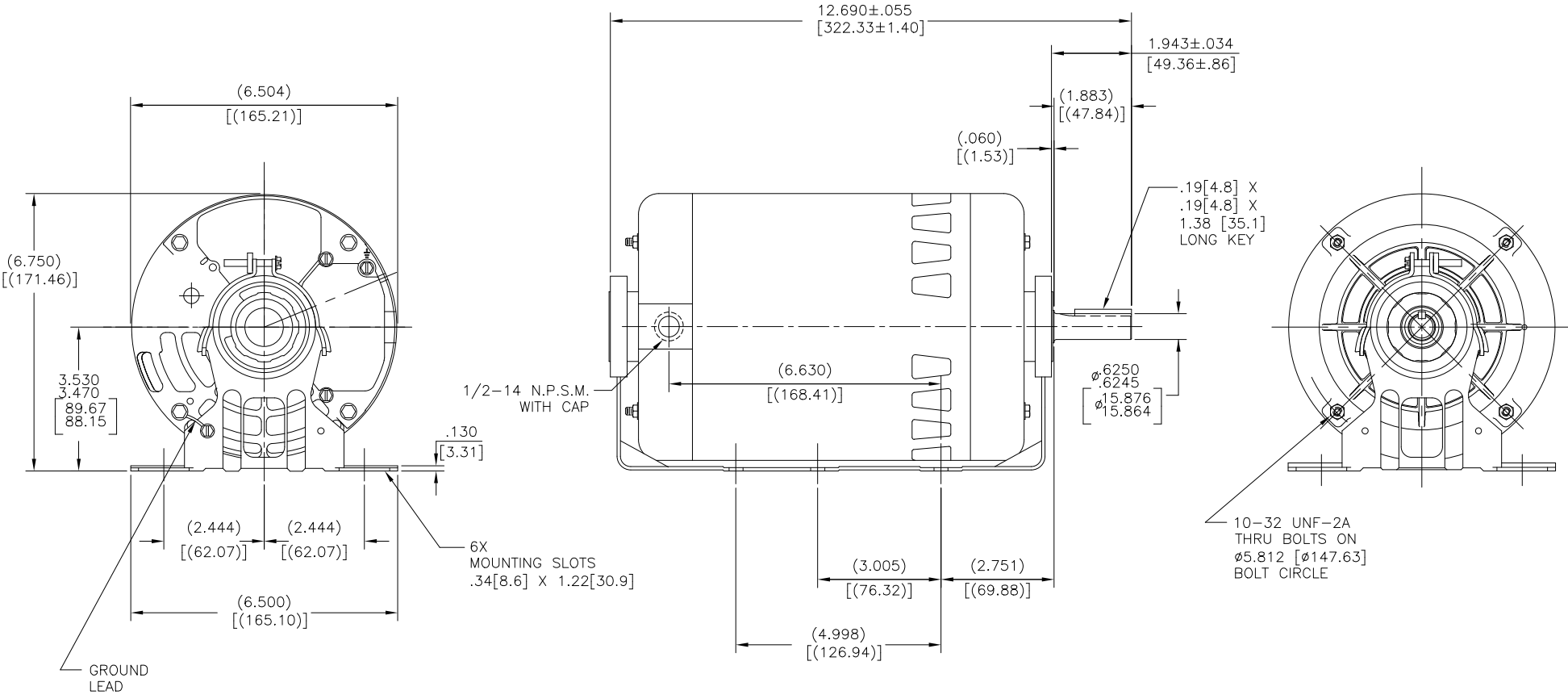
Nameplate Specifications

Phase	3	Output HP	1.0 Hp
Output KW	0.75 kW	Voltage	460/200-230 V
Speed	1725 rpm	Service Factor	1.15
Frame	M56H	Enclosure	Open Drip Proof
Thermal Protection	Thermally Protected	Ambient Temperature	40 °C
Frequency	60 Hz	Current	2.0/3.7-4.0 A
Duty	Continuous	Insulation Class	B
UL	Recognized	CSA	Y
CE	N	Number of Speeds	1

Technical Specifications

Electrical Type	Polyphase, Induction Type, Single Or Dual Voltage	Starting Method	Across The Line
Poles	4	Rotation	Reversible Counterclockwise
Mounting	Resilient Base	Drive End Bearing	Ball
Opp Drive End Bearing	Ball	Frame Material	Rolled Steel
Shaft Type	Keyed	Overall Length	12.69 in
Frame Length	6.75 in	Shaft Diameter	0.625 in
Shaft Extension	1.943 in		
Connection Drawing	17564810.PCX	Outline Drawing	H852L-S01

This is an uncontrolled document once printed or downloaded and is subject to change without notice. Date Created:07/11/2023



NOTES:
1. BRACKETS MAY BE OPEN OR ENCLOSED AS REQUIRED ON PROCESS SHEET.

DRAWING REVISION C	REVISION BY A.ARRREOLA	DATE 05-25-2023	TOLERANCES UNLESS OTHERWISE SPECIFIED INCH ANGLE X ±0.1 [±2.5] ±0.5° .XX ±0.02 [±0.51] .XXX ±0.005 [±0.127] XXXX ±0.0005 [±0.0127]	DRAWN BY: IVAN LOPEZ			
ECO ECR-0226014 SEE ECR	APPROVED BY A.ARRREOLA	DATE 05-25-2023	REMOVE BURRS & BREAK SHARP EDGES .003/.015 [0.076/.381] X 45° CORNER FILLETS R.02 [5.1] MACHINED SURFACES .125/32 INCH/mm	DATE: 08-23-2010			
<small> COPYRIGHT REGAL BELOIT AMERICA, INC. ALL RIGHTS RESERVED. PROPRIETARY AND CONFIDENTIAL INFORMATION - THIS DOCUMENT IS THE PROPERTY OF REGAL BELOIT AMERICA, INC. (OWNER) AND COMPANY OWNER'S PROPRIETARY INFORMATION. ANY REPRODUCTION OR OTHER FIRM RECEIVING IT IS DENIED. BY RECEIVING IT, TO AGREE THAT IT, AND/OR ANY PART OF IT, SHALL NOT BE DISCLOSED TO ANY PERSON, CORPORATION OR OTHER ENTITY, DUPLICATED, AND/OR USED, EXCEPT AS EXPRESSLY APPROVED IN WRITING IN ADVANCE BY OWNER. THIS DOCUMENT SHALL BE RETURNED TO OWNER UPON REQUEST. IT MAY BE SUBJECT TO CERTAIN RESTRICTIONS UNDER APPLICABLE EXPORT CONTROL LAWS AND REGULATIONS. </small>			DATE: 08-23-2010	DESCRIPTION OUTLINE	MATERIAL	PROCESS/FINISH	
			THIRD ANGLE PROJECTION	REFERENCE	SIZE C	DWG NO H852L	SHEET 1

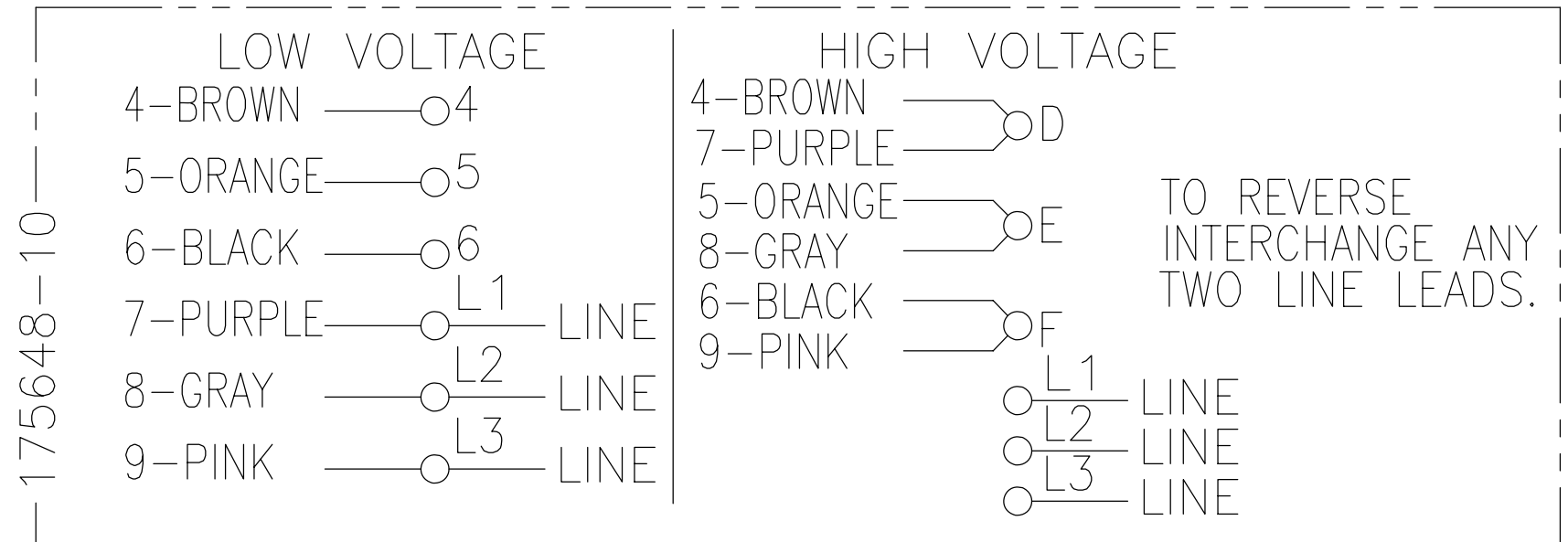
4

3

2

1

REV	ECO	REV BY	DATE	APPD	DATE
C	ECO-0027036	J. COX	11-19-2012	C. McREYNOLDS	11-19-2012



- NOTES:
1. DOTTED BOX REPRESENTS TOTAL PRINTED AREA ALLOWED FOR CONNECTION DIAGRAM TO FIT IN (2.13 X .75) [(541.0 X 19.1)]. SEE NAMEPLATE DRAWING 170500 OR 170501 FOR LOCATION.
 2. CHARACTERS ARE TO BE A MINIMUM OF .03[.8] TO .06[1.5] MAXIMUM IN HEIGHT.
 3. DETAIL ARE NOT TO BE COPIED FROM DRAWING, BUT ARE TO BE REPRODUCED FROM ORIGINAL ARTWORK FURNISHED.

B

B

A

A

GEOMETRIC CHARACTERISTICS & SYMBOLS

- ▭ FLATNESS
- STRAIGHTNESS
- ∠ ANGULARITY
- ⊥ PERPENDICULARITY (SQUARENESS)
- // PARALLELISM
- ROUNDNESS (CIRCULARITY)
- ⊘ CYLINDRICITY
- △ PROFILE OF ANY SURFACE
- ∩ PROFILE OF ANY LINE
- ↗ RUNOUT
- ⊕ TRUE POSITION
- ◎ CONCENTRICITY
- ≡ SYMMETRY

ASME Y14.5M 1994

UNLESS OTHERWISE SPECIFIED
DIM. TOLERANCES ARE AS FOLLOWS:

	X	XX	XXX	XXXX
INCH	±.1	±.02	±.005	±.0005
mm	±0.5	±0.13	±0.013	

ANG. ±.50 DEG
REMOVE BURRS & BREAK SHARP EDGES:
INCH .003-.015 mm 0.1-0.4
CORNER FILLETS TO:
INCH .020 mm 0.5
MACHINE SURFACES:
INCH 125 mm 3.2

METRIC DIMS. SHOWN IN [BRACKETS]

DR BY:	PLM	02-17-1989
APPD:	MH	02-21-1989
THIRD ANGLE PROJECTION		EDS DATE 11-11-2011 FORMAT REV H
CONFIDENTIAL: THIS DRAWING AND ITS INFORMATION ARE THE EXCLUSIVE AND CONFIDENTIAL PROPERTY OF REGAL-BELOIT CORPORATION AND ARE NOT TO BE DISCLOSED, DUPLICATED, DISTRIBUTED OR OTHERWISE USED WITHOUT THE WRITTEN CONSENT OF REGAL-BELOIT CORPORATION. -ALL RIGHTS RESERVED.		

		REGAL-BELOIT CORPORATION	
DESCRIPTION CONN DIAGRAM-NAMEPLATE			
SIZE	B	DWG NO	17564810
SCALE	NONE	SHEET 1	

4

3

2

1

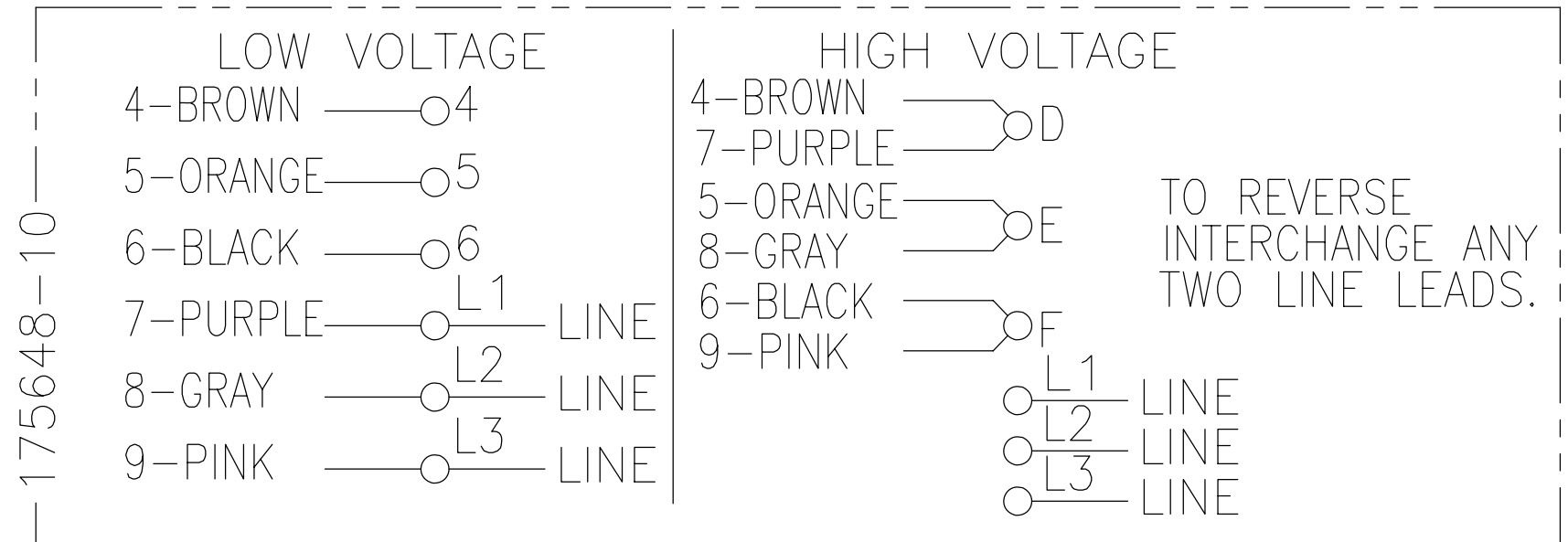
4

3

2

1

REVISION:	ECO	REVISADO POR:	FECHA:	APROBADO POR:	FECHA:
C	ECO-0027036	J. COX	11-19-2012	C. McREYNOLDS	11-19-2012



175648-10

NOTAS:

1. LA CAJA PUNTEADA REPRESENTA EL AREA TOTAL DE IMPRESION PERMITIDA PARA EL DIAGRAMA DE CONEXION AJUSTADO EN (2.13 X .75) [(541.0 X 19.1)]. VER LA PLACA DE DATOS EN EL DIBUJO 170500 O 170501 PARA UBICACION.
2. CARACTERES DEBEN ESTAR A UNA ALTURA MINIMA DE .03[.8] A UNA MAXIMA DE .06[1.5].
3. LOS DETALLES NO SERAN COPIADOS AL DIBUJO, PERO DEBEN SER PRODUCIDOS DESDE EL BOCETO ORIGINAL PROPORCIONADO.

CARACTERISTICAS DE GEOMETRIA Y SIMBOLOS

- ▧ PLANICIDAD
- RECTITUD
- ∠ ANGULARIDAD
- ⊥ PERPENDICULARIDAD (A ESCUADRA)
- // PARALELISMO
- REDONDEZ (CIRCULARIDAD)
- ⊘ CILINDRICIDAD
- △ PERFIL DE CUALQUIER SUPERFICIE
- ∩ PERFIL DE CUALQUIER LINEA
- ↗ VARIACION
- ⊕ POSICION REAL
- ⊙ CONCENTRICIDAD
- ≡ SIMETRIA

ASME Y14.5M 1994

A MENOS QUE SE ESPECIFIQUE DE OTRA MANERA, LAS TOLERANCIAS DE LAS DIMS; SON LAS SIGUIENTES:

PULG	±.1	±.02	±.005	±.0005
mm	±0.5	±0.13	±0.013	

ANG. ±.50 GRADOS
 ELIMINAR REBABAS Y ORILLAS FILOSAS DEL BORDE.
 PULG .003-.015 mm 0.1-0.4
 FILETEAR ESQUINA: PULG .020 mm 0.5
 MAQUINAR SUPERFICIES
 PULG 125 mm 3.2

DIMS METRICAS MOSTRADAS [PARENTESIS]

DIBUJADO POR:	PLM	02-17-1989
APROBADO POR:	MH	02-21-1989
TERCER ANGULO DE PROYECCION		FECHA EDS: 11-11-2011 REV. FORMATO: H
CONFIDENCIAL: ESTE DIBUJO Y SU INFORMACION SON PROPIEDAD DE USO EXCLUSIVO Y CONFIDENCIAL DE REGAL-BELOIT CORPORATION Y NO DEBERAN SER REVELADOS, DUPLICADOS, DISTRIBUIDOS O USARSE DE OTRA MANERA SIN EL CONSENTIMIENTO ESCRITO DE REGAL-BELOIT CORPORATION. -TODOS LOS DERECHOS RESERVADOS.		

		REGAL-BELOIT CORPORATION	
DESCRIPCION:			
CONN DIAGRAM-NAMEPLATE			
TAMAÑO:	B	NUMERO DE DIBUJO:	17564810
ESCALA:	NONE	HOJA:	1

4

3

2

1