

# PRODUCT INFORMATION PACKET



Model No: H696V1

Catalog No: H696V1

Condenser Fan Motor, 1.0 HP, 3 Ph, 60 Hz, 230/460 & 190/380-415 V, 56 Frame, TEAO

**Operational at 208-230/460 V @60HZ**

Regal and Century are trademarks of Regal Rexnord Corporation or one of its affiliated companies.  
©2023 Regal Rexnord Corporation, All Rights Reserved. MC017097E





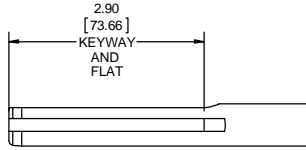
**Nameplate Specifications**

Phase	<b>3</b>	Output HP	<b>1.0 Hp</b>
Output KW	<b>0.75 kW</b>	Voltage	<b>230/460&amp; 190/380-415 V</b>
Speed	<b>1140&amp;940 rpm</b>	Service Factor	<b>1.15&amp;1</b>
Frame	<b>56</b>	Enclosure	<b>Totally Enclosed Air Over</b>
Thermal Protection	<b>Thermally Protected</b>	Efficiency	<b>76&amp;78 %</b>
Ambient Temperature	<b>70 °C</b>	Frequency	<b>60 Hz</b>
Current	<b>4.0/2.0&amp;4.2/2.1-2.2 A</b>	Duty	<b>Continuous</b>
Insulation Class	<b>B</b>	UL	<b>Recognized</b>
CSA	<b>Y</b>	CE	<b>N</b>
Number of Speeds	<b>1</b>		

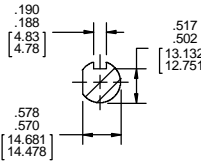
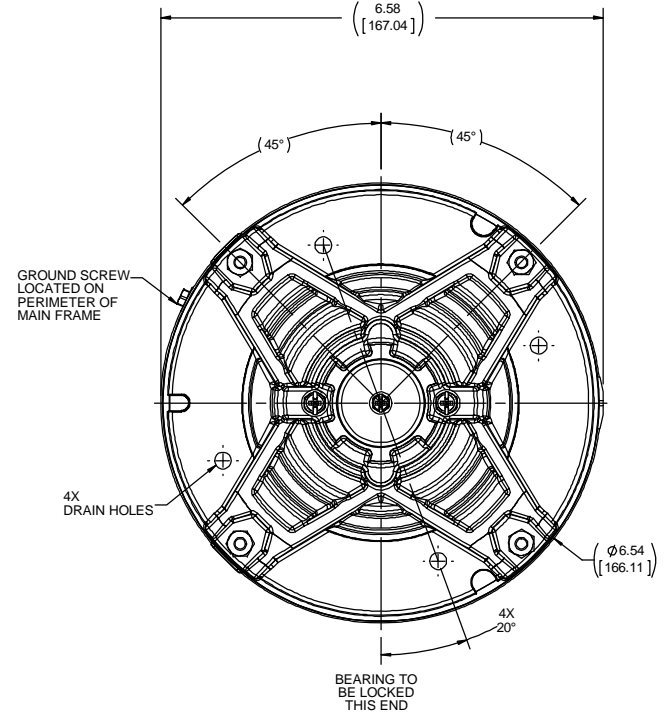
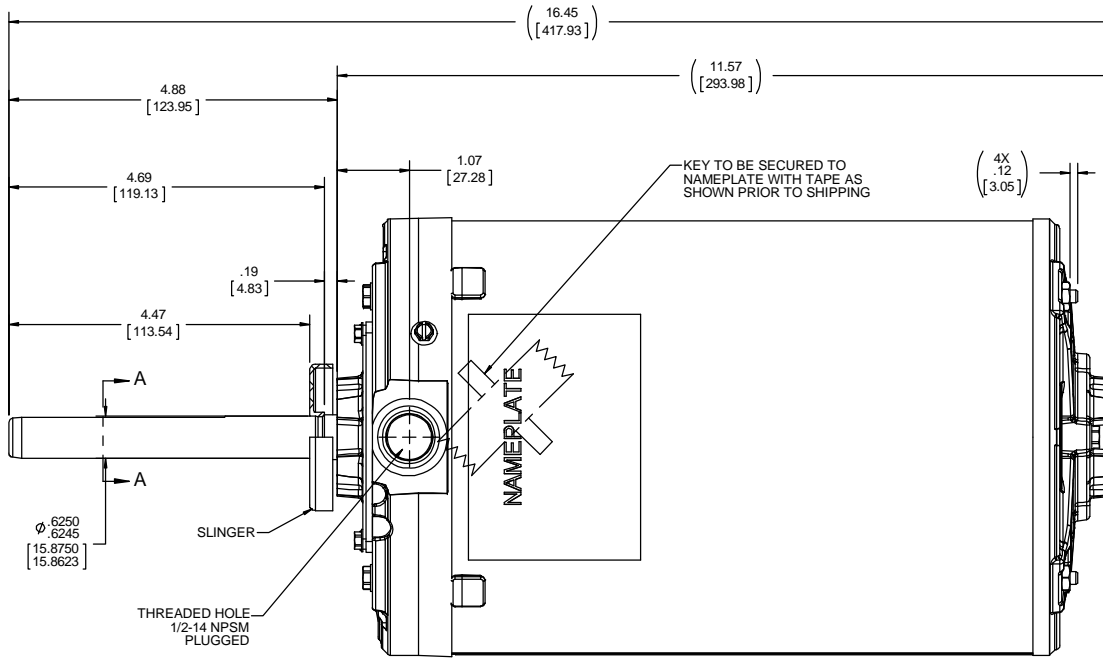
**Technical Specifications**

Electrical Type	<b>Three Phase</b>	Starting Method	<b>Across The Line</b>
Poles	<b>6</b>	Rotation	<b>Reversible</b>
Mounting	<b>Round</b>	Drive End Bearing	<b>Ball</b>
Opp Drive End Bearing	<b>Ball</b>	Frame Material	<b>Rolled Steel</b>
Shaft Type	<b>Single Special Extension</b>	Frame Length	<b>8.65 in</b>
Shaft Diameter	<b>0.625 in</b>	Shaft Extension	<b>4.69 in</b>
Outline Drawing	<b>OL56100344-001</b>		

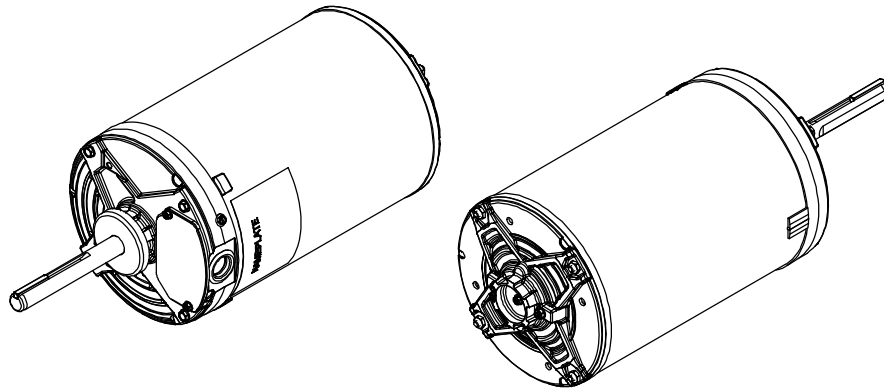
This is an uncontrolled document once printed or downloaded and is subject to change without notice. Date Created:11/02/2023



SECTION B-B



SECTION A-A



DRAWING REVISION A		REVISION BY	DATE	TOLERANCES UNLESS OTHERWISE SPECIFIED:		DRAWN BY R.ZAMARRON		Regal Beloit America, Inc.		
ECO-0143739		APPROVED BY	DATE	DEC.	INCH	mm	ANGLE		DATE 05-12-2018	
ECO DESCRIPTION NMR RELEASE				.X	±0.1	[±2.5]	±0.5°	APPROVED BY	DESCRIPTION OUTLINE	
<small>                 COPYRIGHT REGAL BELOIT AMERICA, INC. ALL RIGHTS RESERVED.                  PROPRIETARY AND CONFIDENTIAL INFORMATION. THIS DOCUMENT IS THE PROPERTY OF                  REGAL BELOIT AMERICA, INC. OWNERS AND CONTAINS OWNERS PROPRIETARY                  INFORMATION. ANY PERSON, CORPORATION OR OTHER FIRM RECEIVING IT IS DEEMED                  BY RECEIVING IT, TO AGREE THAT IT, AND/OR ANY PART OF IT, SHALL NOT BE DISCLOSED                  TO ANY PERSON, CORPORATION OR OTHER ENTITY, DUPLICATED, AND/OR USED, EXCEPT                  AS EXPRESSLY APPROVED IN WRITING IN ADVANCE BY OWNER. THIS DOCUMENT SHALL                  BE RETURNED TO OWNER UPON REQUEST. IT MAY BE SUBJECT TO CERTAIN                  RESTRICTIONS UNDER APPLICABLE EXPORT CONTROL LAWS AND REGULATIONS.             </small>				.XXX	±0.005	[±0.127]		DATE	MATERIAL	
				.XXXX	±0.0005	[±0.0127]		REFERENCE	PROCESS/FINISH	
				MACHINED SURFACES: 125 / 3.2 INCH / mm SHOWN IN (BRACKETS)				THIRD ANGLE PROJECTION	SIZE C	DRAWING NUMBER OL56100344-001
									SHEET 1 OF 1	