

PRODUCT INFORMATION PACKET



Model No: H280V1
Catalog No: H280V1
0.5 HP General Purpose Motor, 3 phase, 1200 RPM, 200-230/460 V, 56 Frame, TENV
General Purpose Motors



Regal and Century are trademarks of Regal Rexnord Corporation or one of its affiliated companies.
©2021 Regal Rexnord Corporation, All Rights Reserved. MC017097E





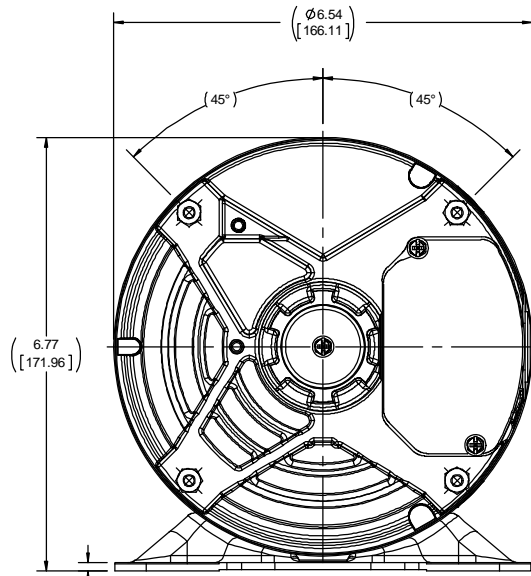
Nameplate Specifications

| | | | |
|--------------------|----------------------|---------------------|--|
| Output HP | 0.5 Hp | Output KW | 0.37 kW |
| Frequency | 60 Hz | Voltage | 200-230/460 V |
| Current | 2.1-2.0/1.0 A | Speed | 1140 rpm |
| Service Factor | 1.15 | Phase | 3 |
| Duty | Continuous | Insulation Class | B |
| Frame | 56 | Enclosure | Totally Enclosed Non Ventilated |
| Thermal Protection | No | Ambient Temperature | 40 °C |
| UL | Recognized | CSA | Y |
| CE | Y | Number of Speeds | 1 |

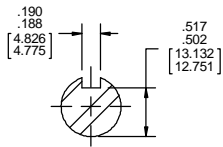
Technical Specifications

| | | | |
|-----------------------|-----------------------|--------------------|------------------------|
| Electrical Type | Three Phase | Starting Method | Across The Line |
| Poles | 6 | Rotation | Reversible |
| Mounting | Rigid Base | Drive End Bearing | Ball |
| Opp Drive End Bearing | Ball | Frame Material | Rolled Steel |
| Shaft Type | Keyed | Overall Length | 12.60 in |
| Frame Length | 7.75 in | Shaft Diameter | 0.625 in |
| Shaft Extension | 2.064 in | | |
| Outline Drawing | OL56100262-001 | Connection Drawing | DD10123-001 |

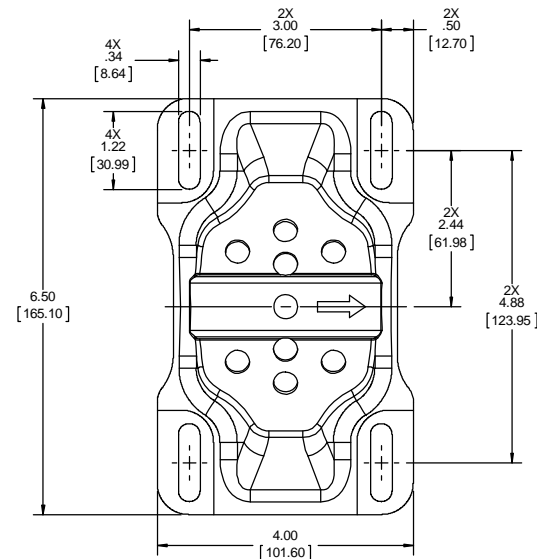
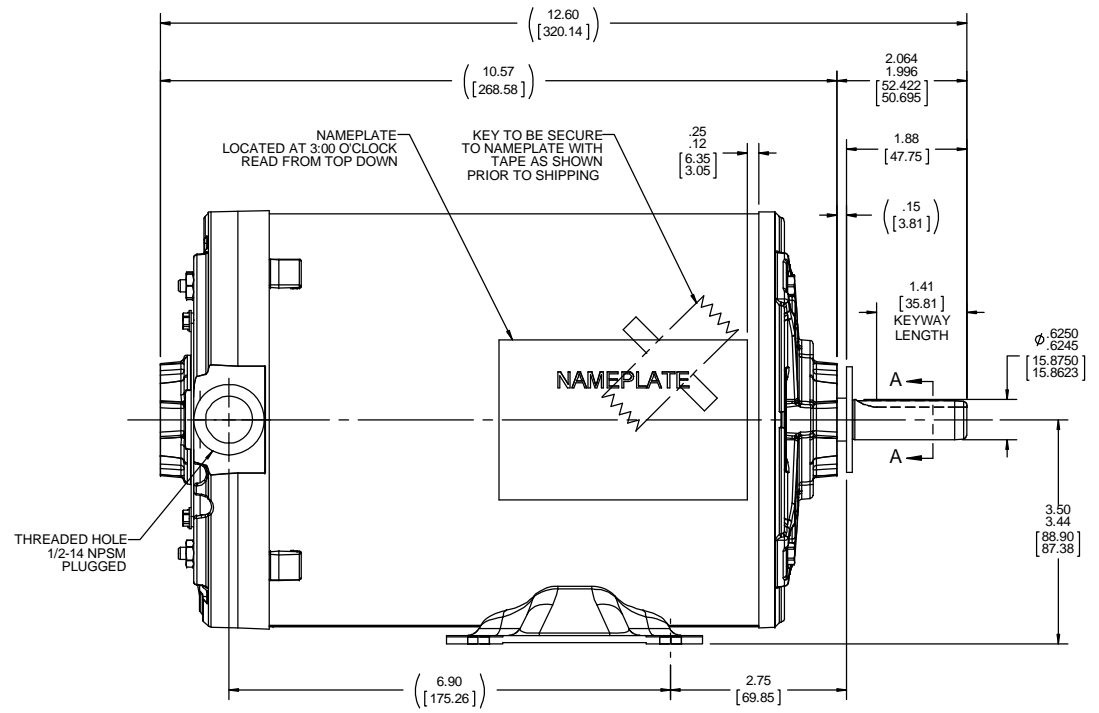
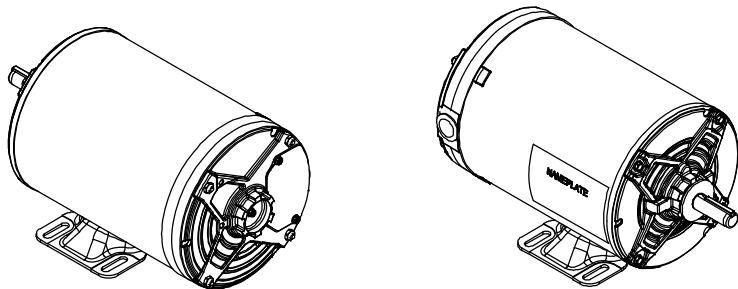
This is an uncontrolled document once printed or downloaded and is subject to change without notice. Date Created:10/07/2021




LEAD END VIEW



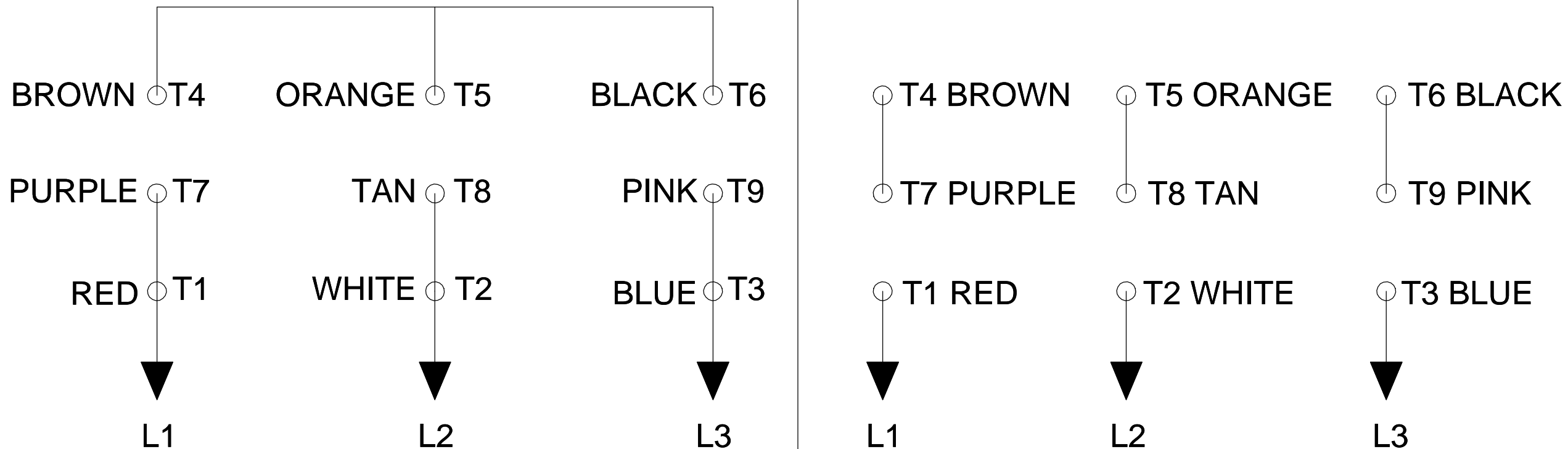
SECTION A-A



| | | | | | |
|--|-------------|------|---|----------------------------------|--|
| DRAWING REVISION A | REVISION BY | DATE | TOLERANCES UNLESS OTHERWISE SPECIFIED: DEC. INCH mm ANGLE | DRAWN BY D.VALENCIANO |  Regal Beloit America, Inc. |
| ECO-0126163 | APPROVED BY | DATE | .X ±0.1 [2.5] ±0.5° .XX ±0.02 [0.51] .XXX ±0.005 [0.127] .XXXX ±0.0005 [±0.0127] | DATE 07-03-2017 | |
| ECO DESCRIPTION NEW MODEL | | | REMOVE BURRS & BREAK SHARP EDGES: .0031 [0.15] [0.76] [38.1] X 45° CORNER FILLETS: R.02 [.51] | APPROVED BY M.RAMIREZ | DESCRIPTION OUTLINE |
| COPYRIGHT REGAL BELOIT AMERICA, INC. ALL RIGHTS RESERVED. PROPRIETARY AND CONFIDENTIAL INFORMATION. THIS DOCUMENT IS THE PROPERTY OF REGAL BELOIT AMERICA, INC. OWNERS AND CONTAINS OWNERS PROPRIETARY INFORMATION. ANY PERSON, CORPORATION OR OTHER FIRM RECEIVING IT IS DEEMED BY RECEIVING IT, TO AGREE THAT IT, AND/OR ANY PART OF IT, SHALL NOT BE DISCLOSED TO ANY PERSON, CORPORATION OR OTHER ENTITY, DUPLICATED, AND/OR USED, EXCEPT AS EXPRESSLY APPROVED IN WRITING IN ADVANCE BY OWNER. THIS DOCUMENT SHALL BE RETURNED TO OWNER UPON REQUEST. IT MAY BE SUBJECT TO CERTAIN RESTRICTIONS UNDER APPLICABLE EXPORT CONTROL LAWS AND REGULATIONS. | | | MACHINED SURFACES: .125 / 3.2 INCH/ mm SHOWN IN [BRACKETS] | DATE 07-03-2017 | MATERIAL |
| | | | THIRD ANGLE PROJECTION | REFERENCE | PROCESS/FINISH |
| | | | SIZE C | DRAWING NUMBER OL56100262-001 | SHEET 1 OF 1 |

LOW VOLTAGE

HIGH VOLTAGE



DD10123-001

ROTATION CCW-LE TO REVERSE INTERCHANGE ANY TWO LINE LEADS

PLATE: 41365

SLOT: 22

| | | | | | |
|---|-----------------------------|--------------------|---|-----------------------------|---------------------------------------|
| DRAWING REVISION A | REVISION BY G. RODRIGUEZ | DATE 02-21-2018 | TOLERANCES UNLESS OTHERWISE SPECIFIED: DEC. INCH mm ANGLE .X ±0.1 [±2.5] ±0.5° .XX ±0.01 [±0.25] .XXX ±0.005 [±0.127] .XXXX ±0.0005 [±0.0127] REMOVE BURRS & BREAK SHARP EDGES: .003/.015 [.076/.381] X 45° CORNER FILLETS: R.02 [.51] MACHINED SURFACES: 125/3.2 INCH/mm | DRAWN BY G. RODRIGUEZ | Regal Beloit America, Inc. |
| ECO ECO-0138240 | APPROVED BY J. A. MORENO | DATE 02-21-2018 | | DATE 02-21-2018 | |
| ECO DESCRIPTION NEW RELEASE | | | | APPROVED BY J. A. MORENO | DESCRIPTION CONN DIAGRAM-NAMEPLATE |
| <small>COPYRIGHT REGAL BELOIT AMERICA, INC. ALL RIGHTS RESERVED. PROPRIETARY AND CONFIDENTIAL INFORMATION - THIS DOCUMENT IS THE PROPERTY OF REGAL BELOIT AMERICA, INC. ("OWNER") AND CONTAINS OWNER'S PROPRIETARY INFORMATION. ANY PERSON, CORPORATION OR OTHER FIRM RECEIVING IT IS DEEMED, BY RECEIVING IT, TO AGREE THAT IT, AND/OR ANY PART OF IT, SHALL NOT BE DISCLOSED TO ANY PERSON, CORPORATION OR OTHER ENTITY, DUPLICATED, AND/OR USED, EXCEPT AS EXPRESSLY APPROVED IN WRITING IN ADVANCE BY OWNER. THIS DOCUMENT SHALL BE RETURNED TO OWNER UPON REQUEST. IT MAY BE SUBJECT TO CERTAIN RESTRICTIONS UNDER APPLICABLE EXPORT CONTROL LAWS AND REGULATIONS.</small> | | | | DATE 02-21-2018 | |
| | | | REFERENCE | MATERIAL | PROCESS/FINISH |
| | | | THIRD ANGLE PROJECTION | SIZE B | DRAWING NUMBER DD10123-001 |
| | | | | | SHEET 1 OF 1 |