

PRODUCT INFORMATION PACKET



Model No: H137

Catalog No: H137

1/3 HP General Purpose Pump Motor, 3 phase, 3600 RPM, 200-230/460 V, 56J Frame, ODP
General Purpose Pump Motors



Regal and Century are trademarks of Regal Rexnord Corporation or one of its affiliated companies.
©2021 Regal Rexnord Corporation, All Rights Reserved. MC017097E





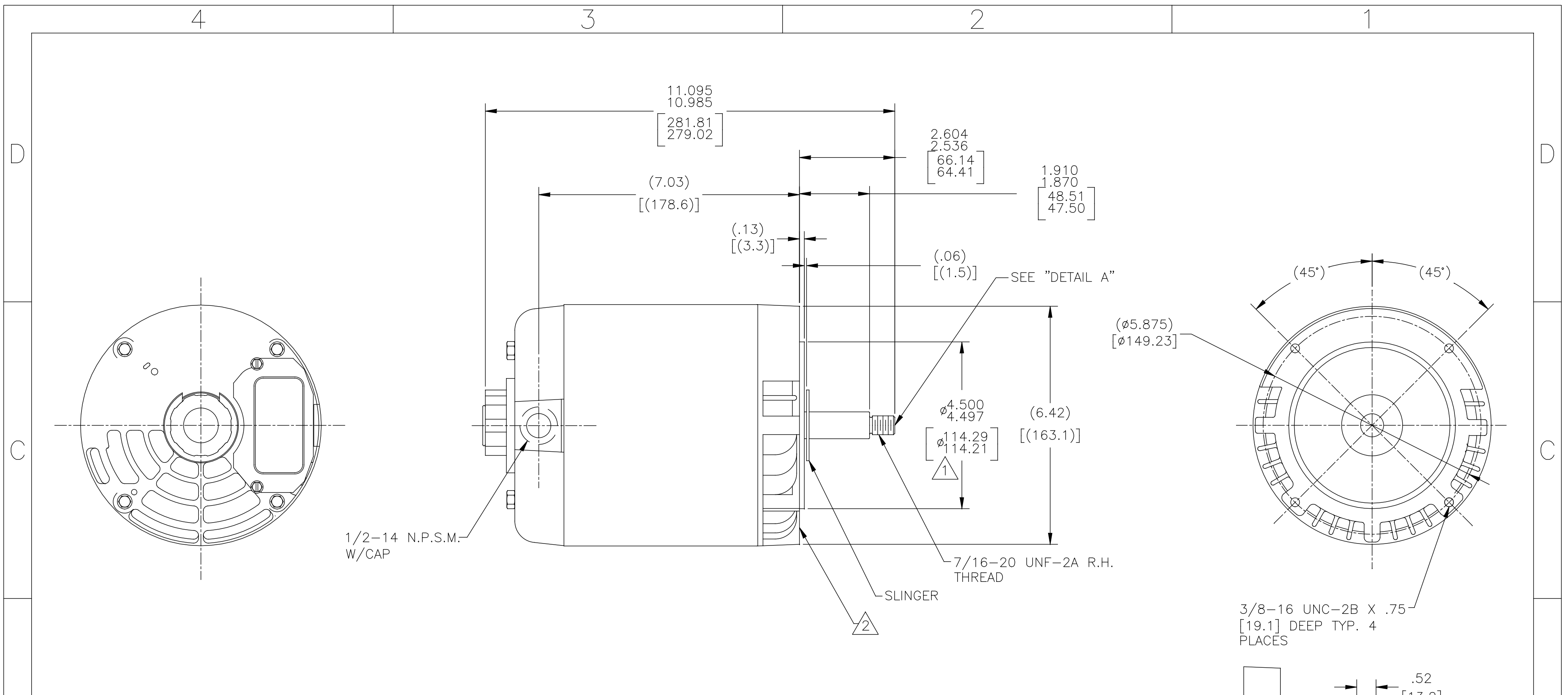
Nameplate Specifications

Output HP	1/3 Hp	Output KW	0.25 kW
Frequency	60/50 Hz	Voltage	200-230/460 V
Current	SF 2.0-1.8/.9 A	Speed	3450/2850 rpm
Service Factor	1.75	Phase	3
Duty	Continuous	Insulation Class	B
Frame	K56J	Enclosure	Drip Proof
Thermal Protection	None	Ambient Temperature	40 °C
UL	Recognized	CSA	Y
CE	N	Number of Speeds	1

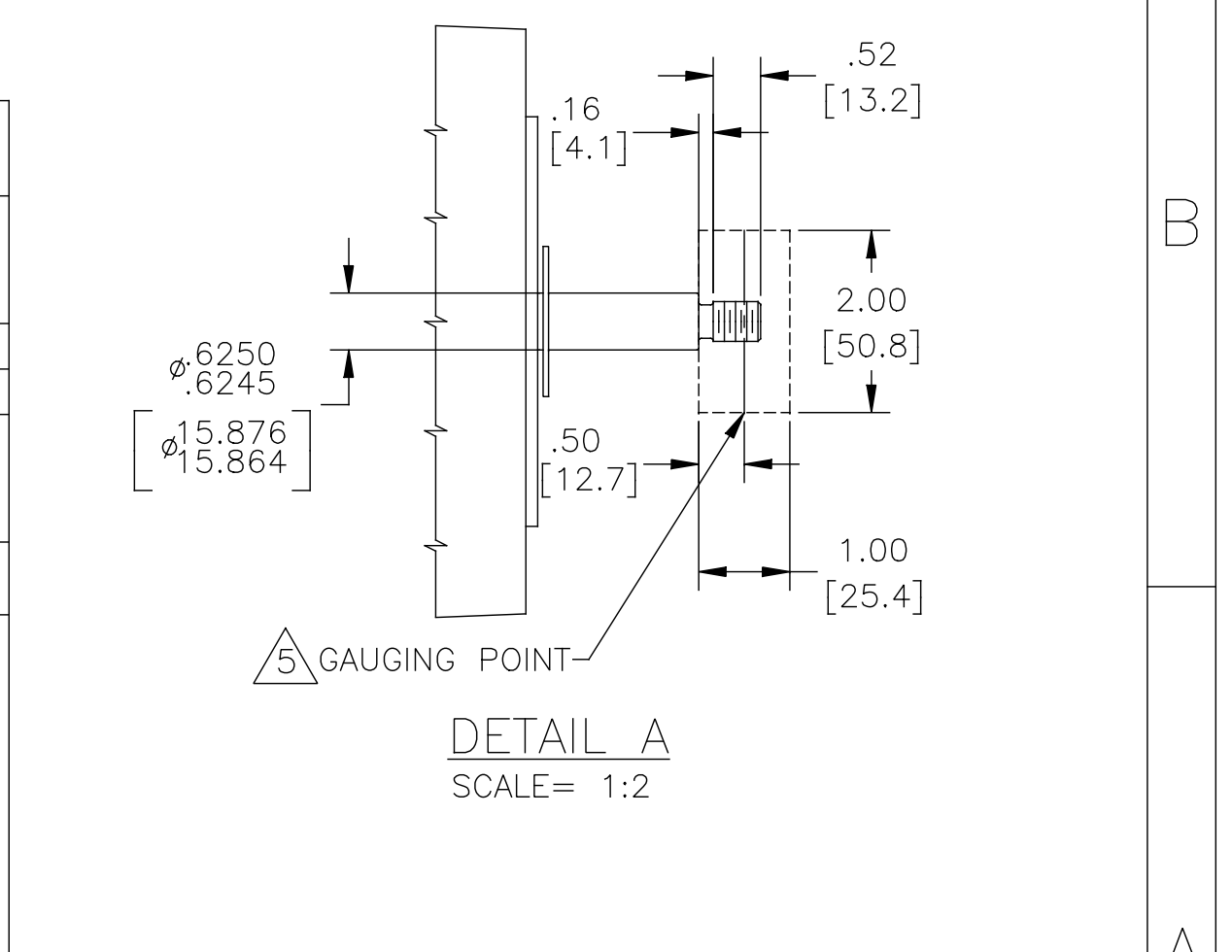
Technical Specifications

Electrical Type	Polyphase, Induction Type, Single Or Dual Voltage	Starting Method	Across The Line
Poles	2	Rotation	Reversible Clockwise
Mounting	Round	Drive End Bearing	Ball
Opp Drive End Bearing	Ball	Frame Material	Rolled Steel
Shaft Type	Threaded	Overall Length	11.10 in
Frame Length	5.50 in	Shaft Diameter	0.625 in
Shaft Extension	2.53 in		
Outline Drawing	12686-004	Connection Drawing	18304024.PCX

This is an uncontrolled document once printed or downloaded and is subject to change without notice. Date Created:10/07/2021



NAMEPLATE DATA	EXTERNAL CONNECTION DIAGRAM	PERFORMANCE CURVE NO.	APPROVED SAMPLE OR REF. MODEL
MODEL: 182571 CUST. P/N: H137 HP: 1/3 SF: 1.75 ROT: RCW RPM: 3450/2850 TYPE: SC CODE: R FRAME: K 56 J VOLTS: 200-230/460 AMPS: SF 2.0-1.8/.9 MAX AMPS: PH: 3 HZ: 60/50 INS: B AMB: 40°C DUTY: CONT		11591123 UL COMPONENT FILE# CCN# E44549 PRGY2	CSA FILE# CLASS# LR4642 4211-01 ENCLOSURE: ODP CUSTOMER: DISTRIBUTION
NOTES: 1. PILOT DIAMETER IS CONCENTRIC WITH SHAFT CENTERLINE WITHIN .004 T.I.R. 2. FACE OF MOUNTING FLANGE IS PERPENDICULAR TO SHAFT CENTERLINE WITHIN .004 T.I.R. 3. SHAFT RUNOUT NOT TO EXCEED .002 T.I.R. 4. FOR THREADED SHAFT EXT. MATING PARTS SHOULD BE RELIEVED ONE THREAD TO CLEAR FILLET.		5. FOR THREADER SHAFT EXT. ECCENTRICITY OF THREADED PORTION OF SHAFT IS HELD WITHIN .004 TOTAL GAGE READING WITH THE INDICATOR ON O.D. OF GROUND RING AS SHOWN. THE GAGE BEING STATIONARY WITH RESPECT TO THE ROTOR. 6. END PLAY NOT TO EXCEED .010 MEASURED WITH NO THRUST 7. ALL DIMENSIONS SHOWN IN PARENTHESIS ARE REFERENCE DIMENSIONS.	



DRAWING REVISION ECO-0112464 ECO DESCRIPTION UPDATED TO NEW REGAL TITLEBLOCK	REVISION BY A.BAUGHMAN APPROVED BY A.BAUGHMAN	DATE 12-12-2016 DATE 12-12-2016	REGAL-BELOIT CORPORATION (RBC) PROVIDES TECHNICAL ASSISTANCE TO OUR CUSTOMERS IN SEVERAL AREAS. SINCE RBC DOES NOT RECEIVE ALL DATA CONCERNING THE USE AND APPLICATION OF THE MOTOR, THE SUITABILITY OF THE MOTOR FOR THE APPLICATION MUST BE DETERMINED BY THE CUSTOMER. DIMENSIONS WITHOUT TOLERANCES ARE FOR REFERENCE ONLY.	DRAWN BY: KHR DATE: 09-07-2005 APPROVED BY: DATE:	REGAL™ Regal Beloit America, Inc. DESCRIPTION MODEL-CFHP-56FR OUTLINE
COPYRIGHT REGAL BELOIT AMERICA, INC. ALL RIGHTS RESERVED. PROPRIETARY AND CONFIDENTIAL INFORMATION - THIS DOCUMENT IS THE PROPERTY OF REGAL BELOIT AMERICA, INC. (OWNER) AND CONTAINS OWNER'S PROPRIETARY INFORMATION. ANY PERSON, CORPORATION OR OTHER FIRM RECEIVING IT IS DEEMED, BY RECEIVING IT, TO AGREE THAT IT, AND/OR ANY PART OF IT, SHALL NOT BE DISCLOSED TO ANY PERSON, CORPORATION OR OTHER ENTITY, DUPLICATED, AND/OR USED, EXCEPT AS EXPRESSLY APPROVED IN WRITING IN ADVANCE BY OWNER. THIS DOCUMENT SHALL BE RETURNED TO OWNER UPON REQUEST. IT MAY BE SUBJECT TO CERTAIN RESTRICTIONS UNDER APPLICABLE EXPORT CONTROL LAWS AND REGULATIONS.			REFERENCE THIRD ANGLE PROJECTION	MATERIAL PROCESS/FINISH	SIZE DWG NO C 12686-004 SHEET 1