

# PRODUCT INFORMATION PACKET



Model No: FY3106

Catalog No: FY3106

Condenser Fan Motor, 1 HP, 3 Ph, 60 Hz, 200-230/460 V, 1200 RPM, 56Y Frame, TEAO



Regal and Century are trademarks of Regal Rexnord Corporation or one of its affiliated companies.

©2023 Regal Rexnord Corporation, All Rights Reserved. MC017097E





**Nameplate Specifications**

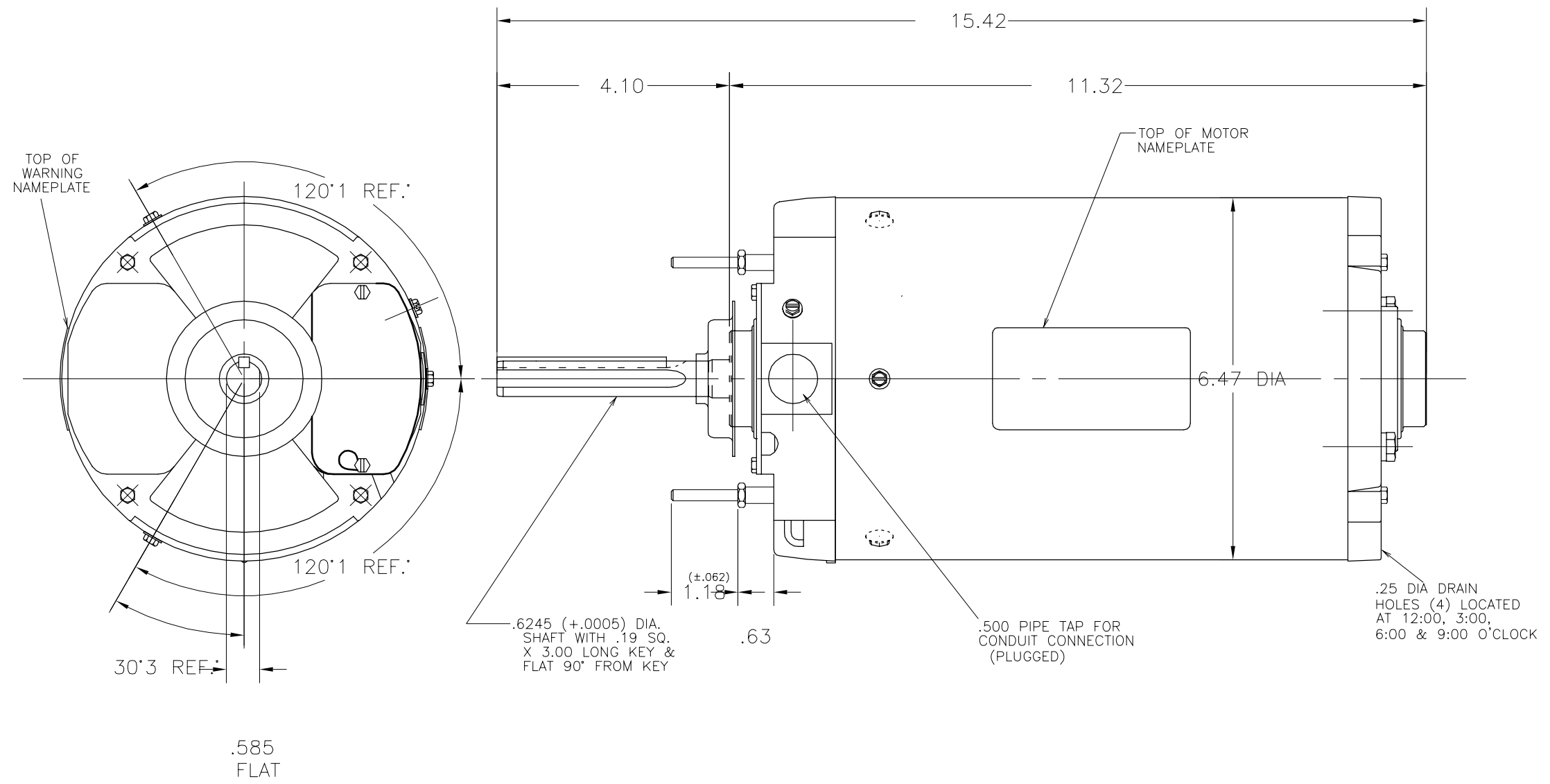
Output HP	<b>1 Hp</b>	Output KW	<b>0.75 kW</b>
Frequency	<b>60 Hz</b>	Voltage	<b>200-230/460 V</b>
Current	<b>5.7/2.9 A</b>	Speed	<b>1140 rpm</b>
Service Factor	<b>1</b>	Phase	<b>3</b>
Efficiency	<b>72 %</b>	Duty	<b>Continuous Air Over</b>
Insulation Class	<b>B</b>	Frame	<b>56Y</b>
Enclosure	<b>Totally Enclosed Air Over</b>	Thermal Protection	<b>Automatic</b>
Ambient Temperature	<b>60 °C</b>	UL	<b>No</b>
CSA	<b>Y</b>	CE	<b>N</b>
Number of Speeds	<b>1</b>		

**Technical Specifications**

Electrical Type	<b>Polyphase</b>	Starting Method	<b>Across The Line</b>
Poles	<b>6</b>	Rotation	<b>Reversible</b>
Mounting	<b>Round Belly Band</b>	Drive End Bearing	<b>Ball</b>
Opp Drive End Bearing	<b>Ball</b>	Frame Material	<b>Rolled Steel</b>
Shaft Type	<b>Keyed</b>	Overall Length	<b>15.42 in</b>
Frame Length	<b>8.17 in</b>	Shaft Diameter	<b>0.625 in</b>
Shaft Extension	<b>4.10 in</b>		
Outline Drawing	<b>11639-002</b>	Connection Drawing	<b>165A839F02</b>

This is an uncontrolled document once printed or downloaded and is subject to change without notice. Date Created:03/15/2023

REV	ECO	REV BY	DATE	APPD	DATE
F	ECO 0012119	D. BALDERRAMA	01-30-2010	M. ARGUELLES	01-30-2010



GEOMETRIC CHARACTERISTICS & SYMBOLS

- ▭ FLATNESS
- STRAIGHTNESS
- ∠ ANGULARITY
- ⊥ PERPENDICULARITY (SQUARENESS)
- // PARALLELISM
- ROUNDNESS (CIRCULARITY)
- ⊘ CYLINDRICITY
- △ PROFILE OF ANY SURFACE
- ∩ PROFILE OF ANY LINE
- ↗ RUNOUT
- ⊕ TRUE POSITION
- ◎ CONCENTRICITY
- ≡ SYMMETRY

UNLESS OTHERWISE SPECIFIED DIM. TOLERANCES ARE AS FOLLOWS:

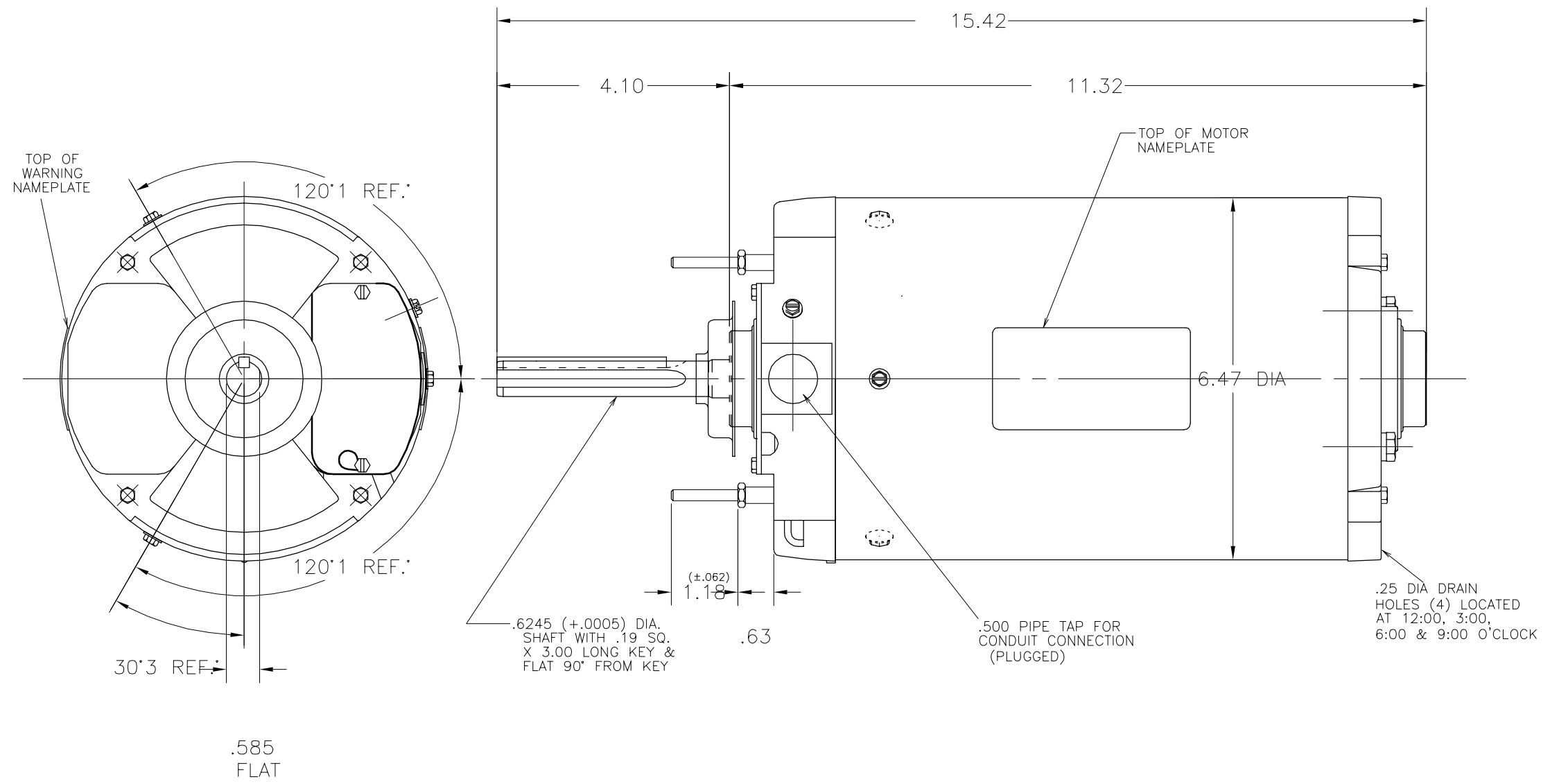
INCH	±.1	±.02	±.005	±.0005
mm	±0.5	±0.13	±0.013	

ANG. ±.50 DEG  
REMOVE BURRS & BREAK SHARP EDGES:  
INCH .003-.015 mm 0.1-0.4  
CORNER FILLETS TO:  
INCH .020 mm 0.5  
MACHINE SURFACES:  
INCH 125 mm 3.2  
METRIC DIMS. SHOWN IN [BRACKETS]

DR BY:	DDS	06-06-1990
APPD:	JPR	08-18-1995
THIRD ANGLE PROJECTION		EDS DATE 02-22-2008 FORMAT REV F
CONFIDENTIAL: THIS DRAWING AND ITS INFORMATION ARE THE EXCLUSIVE AND CONFIDENTIAL PROPERTY OF A.O. SMITH CORP. AND ARE NOT TO BE DISCLOSED, DUPLICATED, DISTRIBUTED OR OTHERWISE USED WITHOUT THE WRITTEN CONSENT OF A.O. SMITH CORP. -ALL RIGHTS RESERVED. ASME Y14.5M 1994		

		<b>ELECTRICAL PRODUCTS COMPANY</b> <small>A DIVISION OF A. O. SMITH CORPORATION</small>	
DESCRIPTION <b>OUTLINE MOTOR</b>			
SIZE C	DWG NO 11630-002		
SCALE NONE			SHEET 1

REVISION:	ECO	REVISADO POR:	FECHA:	APROBADO POR:	FECHA:
F	ECO 0012119	D. BALDERRAMA	01-30-2010	M. ARGUELLES	01-30-2010



CARACTERISTICAS DE GEOMETRIA Y SIMBOLOS

- ▧ PLANICIDAD
- RECTITUD
- ∠ ANGULARIDAD
- ⊥ PERPENDICULARIDAD (A ESCUADRA)
- // PARALELISMO
- REDONDEZ (CIRCULARIDAD)
- ⊘ CILINDRICIDAD
- △ PERFIL DE CUALQUIER SUPERFICIE
- ∧ PERFIL DE CUALQUIER LINEA
- ↗ VARIACION
- ⊕ POSICION REAL
- ◎ CONCENTRICIDAD
- ≡ SIMETRIA

A MENOS QUE SE ESPECIFIQUE DE OTRA MANERA, LAS TOLERANCIAS DE LAS DIMS; SON LAS SIGUIENTES:

PULG	±.1	±.02	±.005	±.0005
mm	±0.5	±0.13	±0.013	

ANG. ±.50 GRADOS  
ELIMINAR REBABAS Y ORILLAS FILOSAS DEL BORDE.  
PULG .003-.015 mm 0.1-0.4  
FILETEAR ESQUINA: PULG .020 mm 0.5  
MAQUINAR SUPERFICIES  
PULG 125 mm .32  
DIMS METRICAS MOSTRADAS [PARENTESIS]

DIBUJADO POR:	DDS	06-06-1990
APROBADO POR:	JPR	08-18-1995
TERCER ANGULO DE PROYECCION	⊕	FECHA EDS: 02-22-2008 REV. FORMATO: F
CONFIDENCIAL: ESTE DIBUJO Y SU INFORMACION SON PROPIEDAD DE USO EXCLUSIVO Y CONFIDENCIAL DE A.O.SMITH CORP. Y NO DEBERAN SER REVELADOS, DUPLICADOS, DISTRIBUIDOS O USARSE DE OTRA MANERA SIN EL CONSENTIMIENTO ESCRITO DE A.O. SMITH CORP. -TODOS LOS DERECHOS RESERVADOS. ASME Y14.5M 1994		

<b>ELECTRICAL PRODUCTS COMPANY</b> <small>A DIVISION OF A. O. SMITH CORPORATION</small>	
DESCRIPCION:	
<b>OUTLINE MOTOR</b>	
TAMAÑO: C	NUMERO DE DIBUJO: 11630-002
ESCALA: NONE	HOJA: 1

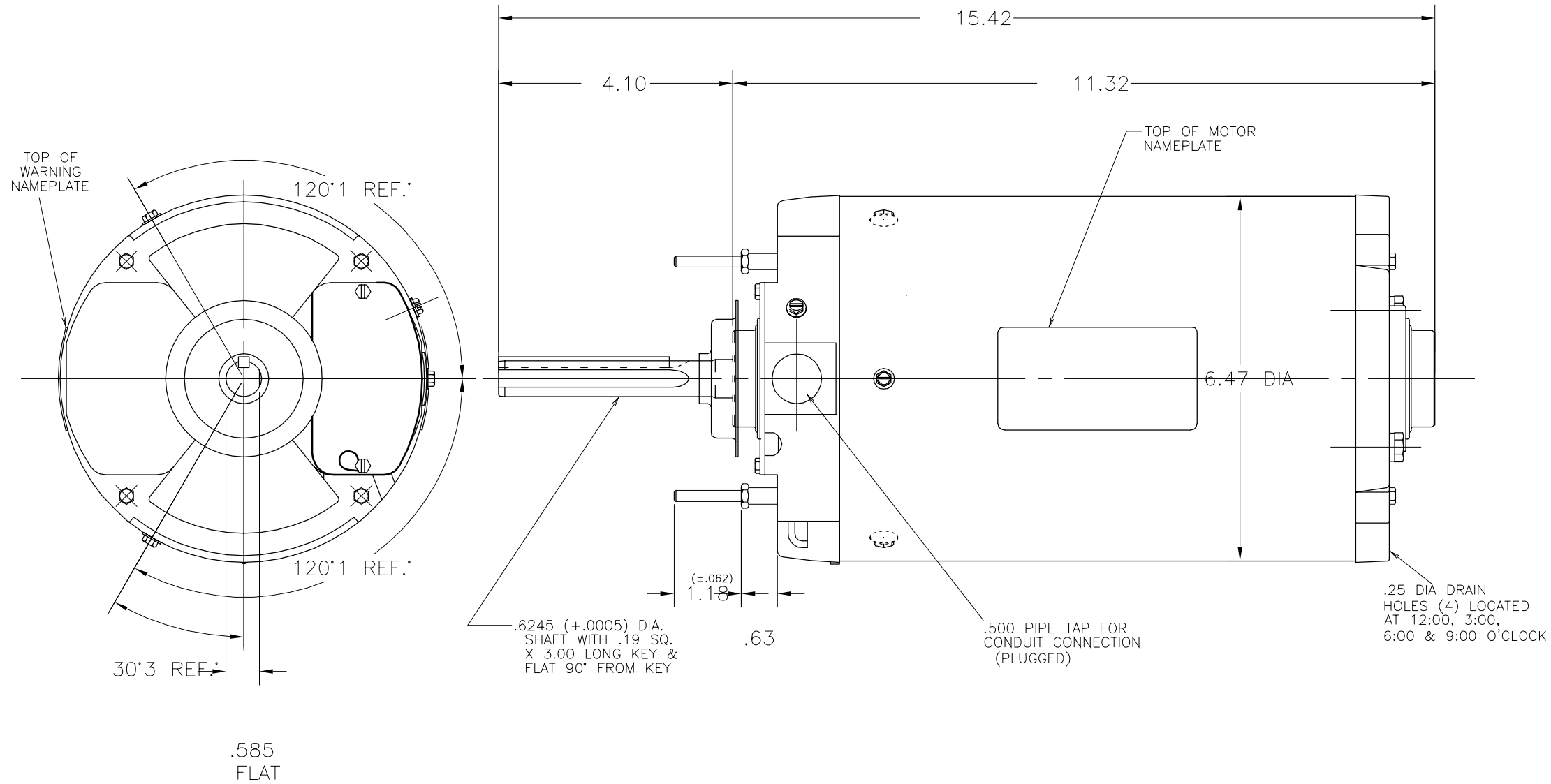
4

3

2

1

版本	ECO	编制	日期	批准	日期
F	ECO 0012119	D. BALDERRAMA	01-30-2010	M. ARGUELLES	01-30-2010



形位公差
□ 平面度
— 直线度
∠ 倾斜度
⊥ 垂直度
// 平行度
○ 圆度
⊘ 圆柱度
△ 面轮廓度
∩ 线轮廓度
↗ 圆跳动
⊕ 位置度
⊙ 同轴度
≡ 对称度

除另有注明  
尺寸公差如下:

英寸	X	XX	XXX	XXXX
毫米	±.1	±.02	±.005	±.0005
毫米	±0.5	±0.13	±0.013	

角度 ±.50 度  
清理毛刺和尖棱  
英寸 .003-.015 毫米 0.1-0.4  
内圆角  
英寸 .020 毫米 0.5  
表面粗糙度  
英制 125 米制 3.2  
米制尺寸显示在 [ ]

绘图:	DDS	06-06-1990
批准:	JPR	08-18-1995
第三角投影		图纸格式发布日期 02-22-2008 图纸格式版本 F
机密: 本图纸及相关信息所有权归A. O. SMITH公司所有。未经A. O. SMITH公司书面授权, 不得泄露、复制、传播或作其他用途。—版权所有		
ASME Y14.5M 1994		

<b>ACSmith</b> Innovation has a name.		<b>ELECTRICAL PRODUCTS COMPANY</b> A DIVISION OF A. O. SMITH CORPORATION	
名称 <b>OUTLINE MOTOR</b>			
图幅	C	图号	11630-002
比例	NONE	页号	1

4

3

2

1