

# PRODUCT INFORMATION PACKET



Model No: FSE6000  
Catalog No: FSE6000

MASTERFIT™ Condenser Fan Motor, 1/3-1/6 HP, 1 Ph, 60 Hz, 208-230 V, 1075 RPM, 2 Speed, 48 Frame, TEAO



Regal and Century are trademarks of Regal Rexnord Corporation or one of its affiliated companies.  
©2023 Regal Rexnord Corporation, All Rights Reserved. MC017097E





**Nameplate Specifications**

Output HP	1/3-1/6 Hp	Output KW	0.25 kW
Frequency	60 Hz	Voltage	208-230 V
Current	2.8 A	Speed	1075 rpm
Service Factor	1	Phase	1
Duty	Air Over	Insulation Class	B
Frame	48Y	Enclosure	Totally Enclosed Air Over
Thermal Protection	Automatic	Ambient Temperature	60 °C
UL	Recognized	CSA	Y
CE	N	Number of Speeds	2

**Technical Specifications**

Electrical Type	Permanent Split Capacitor	Starting Method	Across The Line
Poles	6	Rotation	Reversible
Mounting	Extended Studs	Motor Orientation	Any
Drive End Bearing	Ball	Opp Drive End Bearing	Ball
Frame Material	Rolled Steel	Shaft Type	Double Flat
Overall Length	11.42 in	Frame Length	4.25 in
Shaft Diameter	0.500 in	Shaft Extension	6 in
Outline Drawing	FSE6000-S01	Connection Drawing	614131-390

This is an uncontrolled document once printed or downloaded and is subject to change without notice. Date Created:02/16/2023

GENERAL INFORMATION:

SHAFT RUNOUT: .001 [.03] T.I.R. PER INCH LENGTH OF EXTENSION

BEARINGS: BALL

MOUNTING POSITION: ALL ANGLE

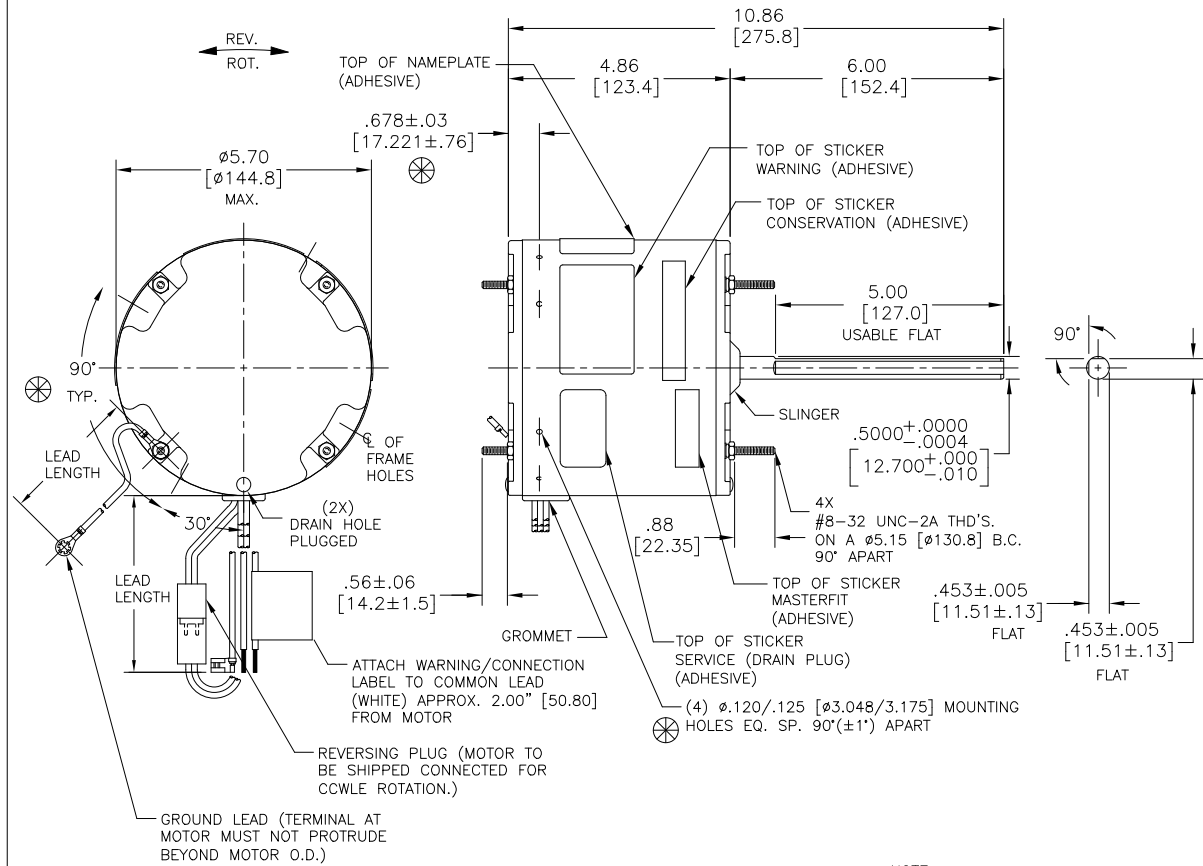
ELECTRICAL DATA:

OVERLOAD PROTECTOR: AUTOMATIC RESET (SENSATA 7AM 036)

LINE LEADS: NO. 18 GA., .06 [1.5] THK. EPDM 125°C INSUL.

REVERSING PLUGS: NO. 18 GA., .03 [.8] THK. XLP 125°C INSUL.

GROUND LEAD: NO. 18 GA., .03 [.8] THK. (GREEN) INSUL.



- NOTES:
1. THE SYMBOL OF CTQ: ▲ (NO CTQ ON THIS DRAWING).
  2. MEET THE REQUIREMENT OF RoHS & REACH, SEE EP000014\_5.1.

NOTE:

⊗ DENOTES CRITICAL CHARACTERISTICS

(4) SCREWS 615982-001 AND (4) NUTS 7555A19H01 TO BE PACKED WITH EACH MOTOR

GREEN (GROUND)	12.0/13.0 [304.8/330.2]	#10 EYELET
BLACK/WHITE	3.0/5.0 [76.2/127.0]	REVERSING PLUG
BROWN	36.5/39.5 [927.1/1003.3]	.25 [6.35] FLAG
BROWN/WHITE	36.5/39.5 [927.1/1003.3]	.25 [6.35] FLAG
RED	36.5/39.5 [927.1/1003.3]	.50 [12.70] SKIN
BLACK	36.5/39.5 [927.1/1003.3]	.50 [12.70] SKIN
WHITE	36.5/39.5 [927.1/1003.3]	.50 [12.70] SKIN
COLOR	LENGTH	TERMINAL OR STRIP LENGTH

REGAL-BELOIT CORPORATION (RBC) PROVIDES TECHNICAL ASSISTANCE TO OUR CUSTOMERS IN SEVERAL AREAS. SINCE RBC DOES NOT RECEIVE ALL DATA CONCERNING THE USE AND APPLICATION OF THE MOTOR, THE SUITABILITY OF THE MOTOR FOR THE APPLICATION MUST BE DETERMINED BY THE CUSTOMER.

DIMENSIONS WITHOUT TOLERANCES ARE FOR REFERENCE ONLY.

MAIN FRAME - OLE	ENCLOSED
END FRAME - OLE	ENCLOSED
MAIN FRAME - LE	ENCLOSED
END FRAME - LE	ENCLOSED

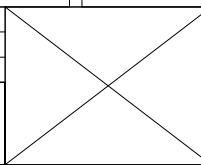
CUSTOMER	DISTRIBUTION SERVICE
----------	----------------------

NAMEPLATE DATA:	EXTERNAL CONNECTION DIAGRAM
MODEL NO.: F48N69A01 CUST. P/N: FSE6000 HP: 1/3-1/6 ROT.: REVERSIBLE RPM: 1075/2 SPD. TYPE: UF FRAME: 48Y VOLTS: 208-230 PH: 1 AMPS: 2.8 HZ: 60 INS.: B AMB.: 60°C DUTY: AIR OVER CAP.: 7.5 OR 5 MFD/370V ENCL: ENCLOSED UL LOGO CSA LOGO THERMALLY PROTECTED	<p>SEP. CAP.</p> <p>BROWN</p> <p>BRN/WHT</p> <p>WHITE</p> <p>BLACK HI</p> <p>RED LO</p> <p>LINE</p> <p>ROTATION</p> <p>BLACK BLACK</p> <p>WHITE WHITE</p> <p>COWL</p> <p>BLACK WHITE</p> <p>WHITE BLACK</p> <p>CWLE</p> <p>614131-390</p>

PERFORMANCE CURVE NO.	TORQUE @ 1075 RPM (25°C)	APPROVED SAMPLE	UL COMPONENT				CSA	
C23418	39.4 OZ. FT.	EX11197-1	FILE #	CCN #	FILE #	CLASS #	E46412	PRGY2 LR43341 4211-01

DRAWING REVISION	REVISION BY	DATE
C	J. RUPERT	08-23-2021
ECD	APPROVED BY	DATE
NMR-0210151	J. RUPERT	08-23-2021
ECO DESCRIPTION		
REVISED FOR UP ISSUE		

COPYRIGHT REGAL-BELOIT CORPORATION, INC. ALL RIGHTS RESERVED. PROPRIETARY AND CONFIDENTIAL INFORMATION - THIS DOCUMENT IS THE PROPERTY OF REGAL-BELOIT CORPORATION, INC. (OWNER) AND CONTAINS OWNER'S PROPRIETARY INFORMATION. ANY PERSON, CORPORATION OR OTHER ENTITY, DUPLICATED, AND/OR USED, EXCEPT AS EXPRESSLY APPROVED IN WRITING IN ADVANCE BY OWNER, THIS DOCUMENT SHALL BE RETURNED TO OWNER UPON REQUEST. IT MAY BE SUBJECT TO CERTAIN RESTRICTIONS UNDER APPLICABLE EXPORT CONTROL LAWS AND REGULATIONS.



DRAWN BY: E. ROETTER	Regal Beloit America, Inc.
DATE: 10-12-1999	
APPROVED BY: J. MUMPHY	DESCRIPTION: MODEL-RFHP-48FR OUTLINE
DATE: 10-12-1999	MATERIAL:
PROCESS/FINISH:	SIZE DWG NO: FSE6000
THIRD ANGLE PROJECTION	SHEET 1