

PRODUCT INFORMATION PACKET



Model No: FSE1016
Catalog No: FSE1016
1/6 HP Condenser Fan Motor, 1075/750 RPM, 208-230 Volts, 48 Frame, TEAO
Condenser Fans Motors



Regal and Century are trademarks of Regal Rexnord Corporation or one of its affiliated companies.
©2021 Regal Rexnord Corporation, All Rights Reserved. MC017097E





Nameplate Specifications

Output HP	1/6 Hp	Output KW	0.13 kW
Frequency	60 Hz	Voltage	208-230 V
Current	0.9 A	Speed	1075/750 rpm
Service Factor	1	Phase	1
Duty	Air Over	Insulation Class	B
Frame	48Y	Enclosure	Totally Enclosed
Thermal Protection	Automatic	Ambient Temperature	60 °C
UL	Recognized	CSA	Y
CE	N	Number of Speeds	1

Technical Specifications

Electrical Type	Permanent Split Capacitor	Starting Method	Across The Line
Poles	6	Rotation	Reversible
Mounting	Extended Studs	Motor Orientation	Vertical Shaft Up Or Down
Drive End Bearing	Sleeve	Opp Drive End Bearing	Sleeve
Frame Material	Rolled Steel	Shaft Type	Double Flat
Overall Length	10.66 in	Frame Length	3.38 in
Shaft Diameter	0.500 in	Shaft Extension	6 in
Outline Drawing	F48SF6L6-S01	Connection Drawing	614131-109

This is an uncontrolled document once printed or downloaded and is subject to change without notice. Date Created:10/07/2021

4 3 2 1

REV	ECO	REV BY	DATE	APPD	DATE
B	0025549	I. ORTIZ	04-30-2012	D. BALDERRAMA	04-30-2012

GENERAL INFORMATION:

SHAFT RUNOUT: .001[.03] T.I.R. PER INCH[mm] LENGTH OF EXTENSION.

END PLAY: .010[.25] TO .063[1.60]

BEARINGS: SLEEVE

MOUNTING POSITION: VERTICAL SHAFT UP OR DOWN

ELECTRICAL DATA:

OVERLOAD PROTECTOR: AUTOMATIC RESET (T.I. 7AM 036)

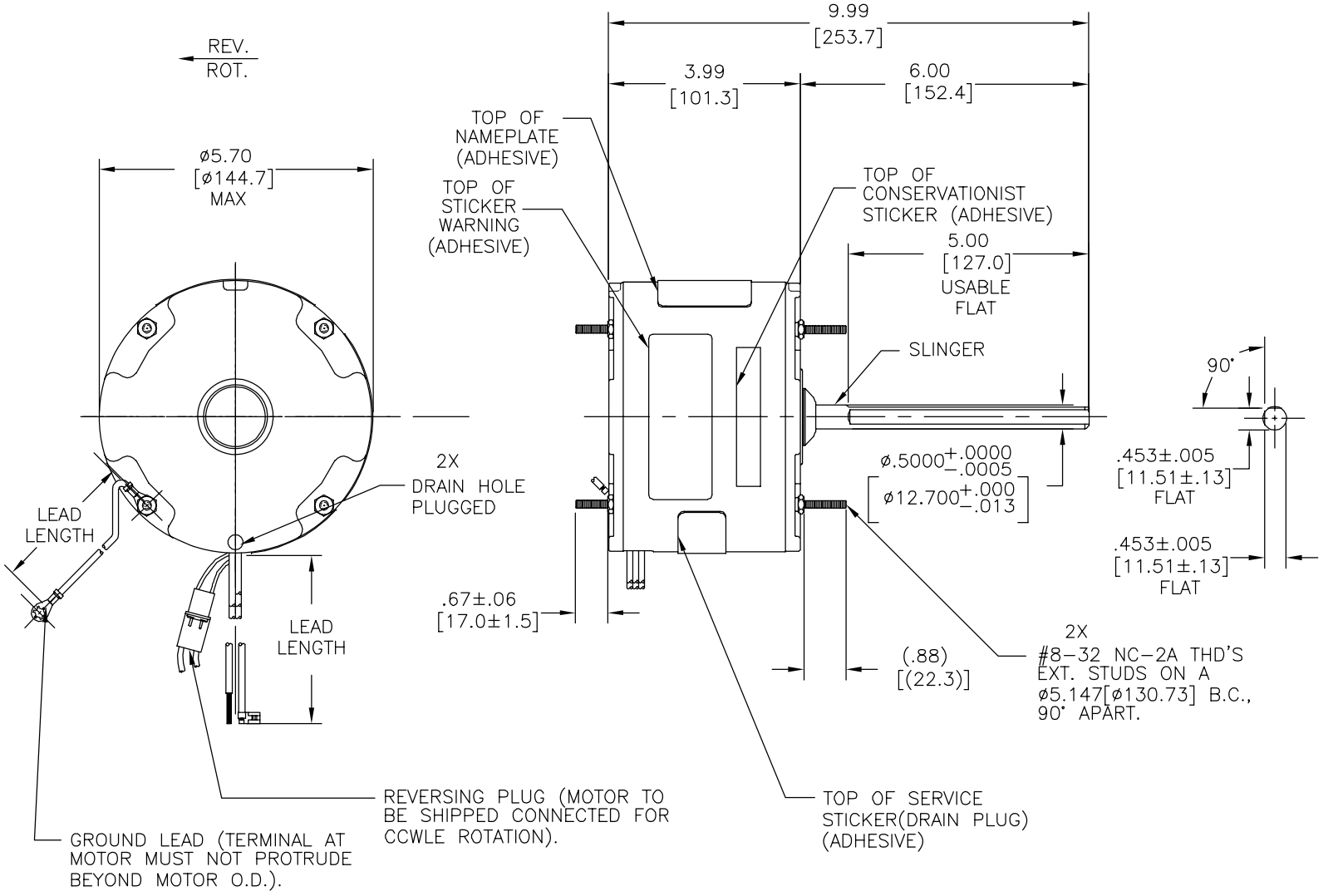
LEADS: NO. 18 GA., .06[1.5] THK. 125°C INSUL.

REVERSING LEADS: NO. 18 GA., .03[.08] THK. 125°C INSUL.

GROUND LEAD: NO. 18 GA., .03[.08] THK. (GREEN) INSUL.

NOTES:

1. DISTRIBUTION: CUST. P/N: FSE1016
GRAINGER: CUST. P/N: 4MB77



NAMEPLATE DATA :	EXTERNAL CONNECTION DIAGRAM
MODEL NO.: F48SF6L6 CUST. P/N: [] HP: 1/6 ROT: REVERSIBLE RPM: 1075/750 TYPE: UF FRAME: 48Y VOLTS: 208-230 PH: 1 AMPS: 0.9 (1.3 MAX.) HZ: 60 INS: B AMB: 60 °C DUTY: AIR OVER CAP.: 5 MFD/370V ENCL: ENCLOSED CSA LOGO UL LOGO THERMALLY PROTECTED	<p>BROWN SEP. CAP.</p> <p>BROWN/W</p> <p>YELLOW</p> <p>BLACK HI LINE</p> <p>RED LO</p> <p>ROTATION</p> <p>BLACK WHITE</p> <p>WHITE WHITE</p> <p>CCWLE</p> <p>BLACK WHITE</p> <p>WHITE BLACK</p> <p>CWLE</p> <p>614131-109</p>

COLOR	LENGTH	TERMINAL OR STRIP LENGTH
BLACK/WHITE	3.0/5.0 [76/127]	REVERSING PLUG
GREEN(GRD)	12.0/13.0 [304/330]	#10 EYELET
BROWN/WHITE	26.0/28.0 [660/711]	.25[6.4] FLAG
BROWN	26.0/28.0 [660/711]	.25[6.4] FLAG
YELLOW	26.0/28.0 [660/711]	.50[12.7] SKIN
BLACK	26.0/28.0 [660/711]	.50[12.7] SKIN
RED	26.0/28.0 [660/711]	.50[12.7] SKIN

MAIN FR.-OLE	ENCLOSED
END FR.-OLE	ENCLOSED
MAIN FR.-LE	ENCLOSED
END FR.-LE	ENCLOSED
CUSTOMER	DISTRIBUTION SERVICE

PERFORMANCE CURVE NO.	TORQUE @1075 RPM (25°C)	APPROVED SAMPLE	UL COMPONENT FILE #	CCN #	CSA FILE #	CLASS #
C22893	19.0 OZ. FT.	EX11195	E46412	PRGY2	LR43341	4211-01

GEOMETRIC CHARACTERISTICS & SYMBOLS

□ FLATNESS

— STRAIGHTNESS

∠ ANGULARITY

⊥ PERPENDICULARITY (SQUARENESS)

∥ PARALLELISM

○ ROUNDNESS (CIRCULARITY)

⊘ CYLINDRICITY

△ PROFILE OF ANY SURFACE

∩ PROFILE OF ANY LINE

↗ RUNOUT

⊕ TRUE POSITION

⊙ CONCENTRICITY

≡ SYMMETRY

ASME Y14.5M 1994

REGAL-BELOIT CORPORATION (RBC) PROVIDES TECHNICAL ASSISTANCE TO OUR CUSTOMERS IN SEVERAL AREAS. SINCE RBC DOES NOT RECEIVE ALL DATA CONCERNING THE USE AND APPLICATION OF THE MOTOR, THE SUITABILITY OF THE MOTOR FOR THE APPLICATION MUST BE DETERMINED BY THE CUSTOMER.

DIMENSIONS WITHOUT TOLERANCES ARE FOR REFERENCE ONLY.

DR BY: DZ 02-21-2011

APPD: DZ 02-21-2011

THIRD ANGLE PROJECTION

EDS DATE 11-11-2011

FORMAT REV G

CONFIDENTIAL: THIS DRAWING AND ITS INFORMATION ARE THE EXCLUSIVE AND CONFIDENTIAL PROPERTY OF REGAL-BELOIT CORPORATION AND ARE NOT TO BE DISCLOSED, DUPLICATED, DISTRIBUTED OR OTHERWISE USED WITHOUT THE WRITTEN CONSENT OF REGAL-BELOIT CORPORATION. -ALL RIGHTS RESERVED.

REGAL-BELOIT CORPORATION

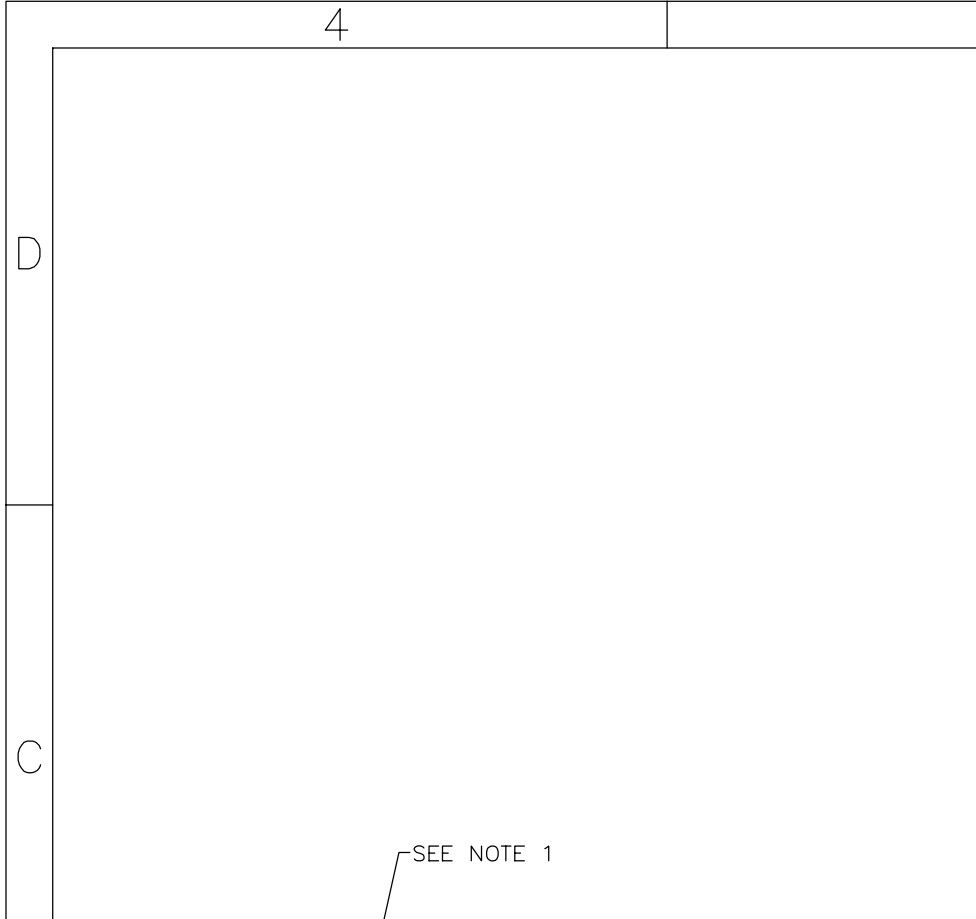
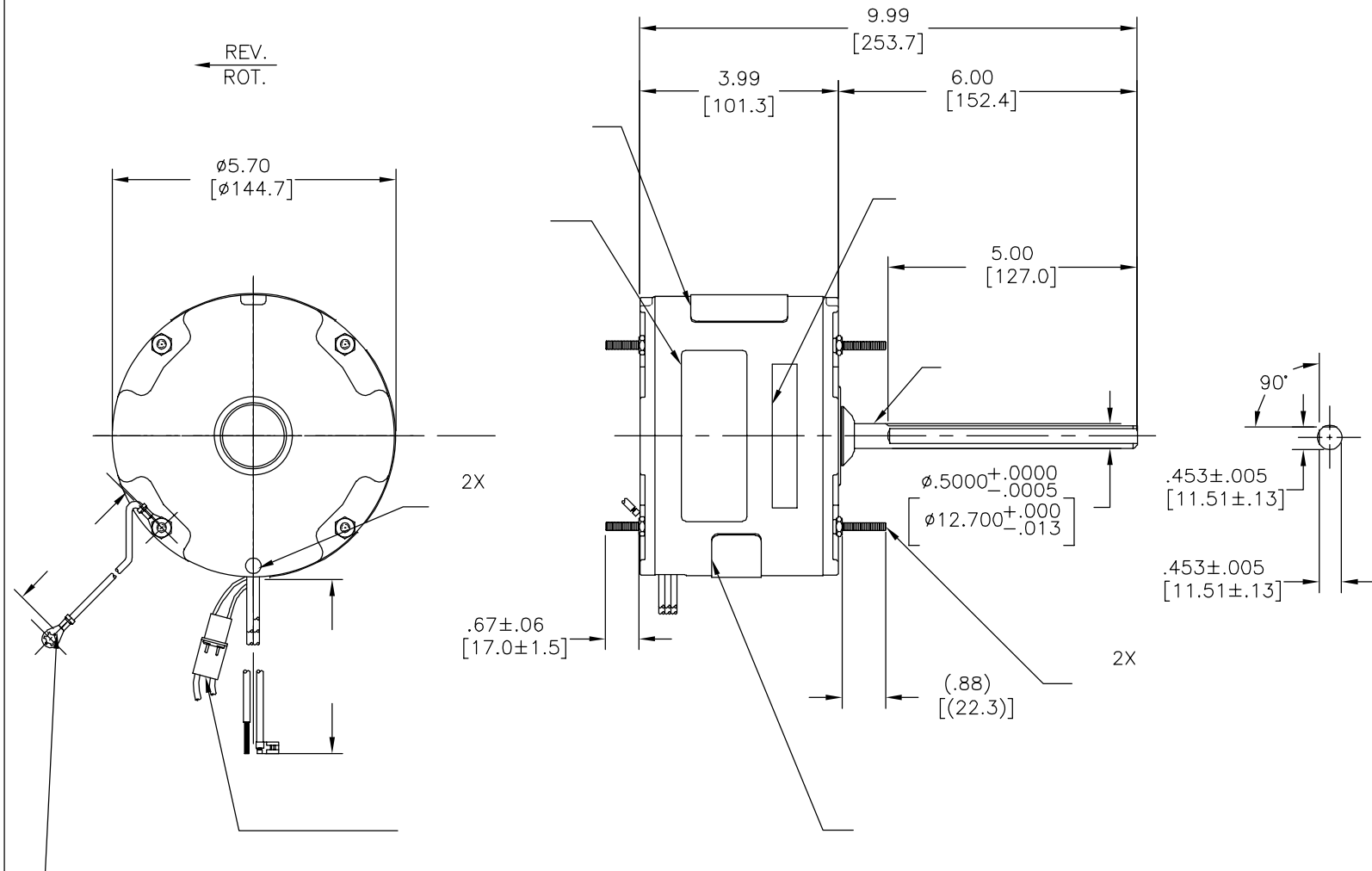
DESCRIPTION: MODEL-RFHP-48FR OUTLINE

SIZE: C DWG NO: F48SF6L6

SCALE: NONE SHEET: 1

4 3 2 1

REVISION:	ECO	REVISADO POR:	FECHA:	APROBADO POR:	FECHA:
B	0025549	I. ORTIZ	04-30-2012	D. BALDERRAMA	04-30-2012



SEE NOTE 1

MODEL NO.: F48SF6L6
 CUST. P/N: []
 HP: 1/6
 ROT: REVERSIBLE
 RPM: 1075/750
 TYPE: UF
 FRAME: 48Y
 VOLTS: 208-230
 PH: 1
 AMPS: 0.9 (1.3 MAX.)
 HZ: 60
 INS: B
 AMB: 60 °C
 DUTY: AIR OVER
 CAP.: 5 MFD/370V
 ENCL: ENCLOSED
 CSA LOGO
 UL LOGO
 THERMALLY PROTECTED

BROWN SEP. CAP.
 BROWN/W
 YELLOW
 BLACK HI LINE
 RED LO
 ROTATION
 BLACK BLACK
 WHITE WHITE
 CCWLE
 BLACK WHITE
 WHITE BLACK
 CWLE

614131-109

	3.0/5.0	
	[76/127]	
	12.0/13.0	
	[304/330]	
	26.0/28.0	
	[660/711]	
	26.0/28.0	
	[660/711]	
	26.0/28.0	
	[660/711]	
	26.0/28.0	
	[660/711]	

					CSA
C22893	19.0 OZ. FT.	EX11195	E46412	PRGY2	LR43341 4211-01

CARACTERISTICAS DE GEOMETRIA Y SIMBOLOS

- PLANICIDAD
- RECTITUD
- ∠ ANGULARIDAD
- ⊥ PERPENDICULARIDAD (A ESCUADRA)
- // PARALELISMO
- REDONDEZ (CIRCULARIDAD)
- ⊘ CILINDRICIDAD
- △ PERFIL DE CUALQUIER SUPERFICIE
- ∧ PERFIL DE CUALQUIER LINEA
- ∧ VARIACION
- ⊕ POSICION REAL
- ◎ CONCENTRICIDAD
- = SIMETRIA

ASME Y14.5M 1994

REGAL-BELOIT CORPORATION (RBC) PROVEE ASISTENCIA TECNICA A NUESTROS CLIENTES EN VARIAS AREAS. DESDE QUE RBC NO RECIBE TODOS LOS DATOS EN RELACION AL USO Y A LA APLICACION DEL MOTOR, LA APLICACION ADECUADA DEL MOTOR DEBE SER DETERMINADA POR EL CLIENTE.

DIMENSIONES SIN TOLERANCIA SON DE REFERENCIA SOLAMENTE

DIBUJADO POR: DZ 02-21-2011

APROBADO POR: DZ 02-21-2011

TERCER ANGULO DE PROYECCION

FECHA EDS: 11-11-2011

REV. FORMATO: G

CONFIDENCIAL: ESTE DIBUJO Y SU INFORMACION SON PROPIEDAD DE USO EXCLUSIVO Y CONFIDENCIAL DE REGAL-BELOIT CORPORATION. Y NO DEBERAN SER REVELADOS, DUPLICADOS, DISTRIBUIDOS O USARSE DE OTRA MANERA SIN EL CONSENTIMIENTO ESCRITO DE REGAL-BELOIT CORPORATION. -TODOS LOS DERECHOS RESERVADOS.

REGAL-BELOIT CORPORATION

DESCRIPCION: MODEL-RFHP-48FR OUTLINE

TAMAÑO: C NUMERO DE DIBUJO: F48SF6L6

ESCALA: NONE HOJA: 1

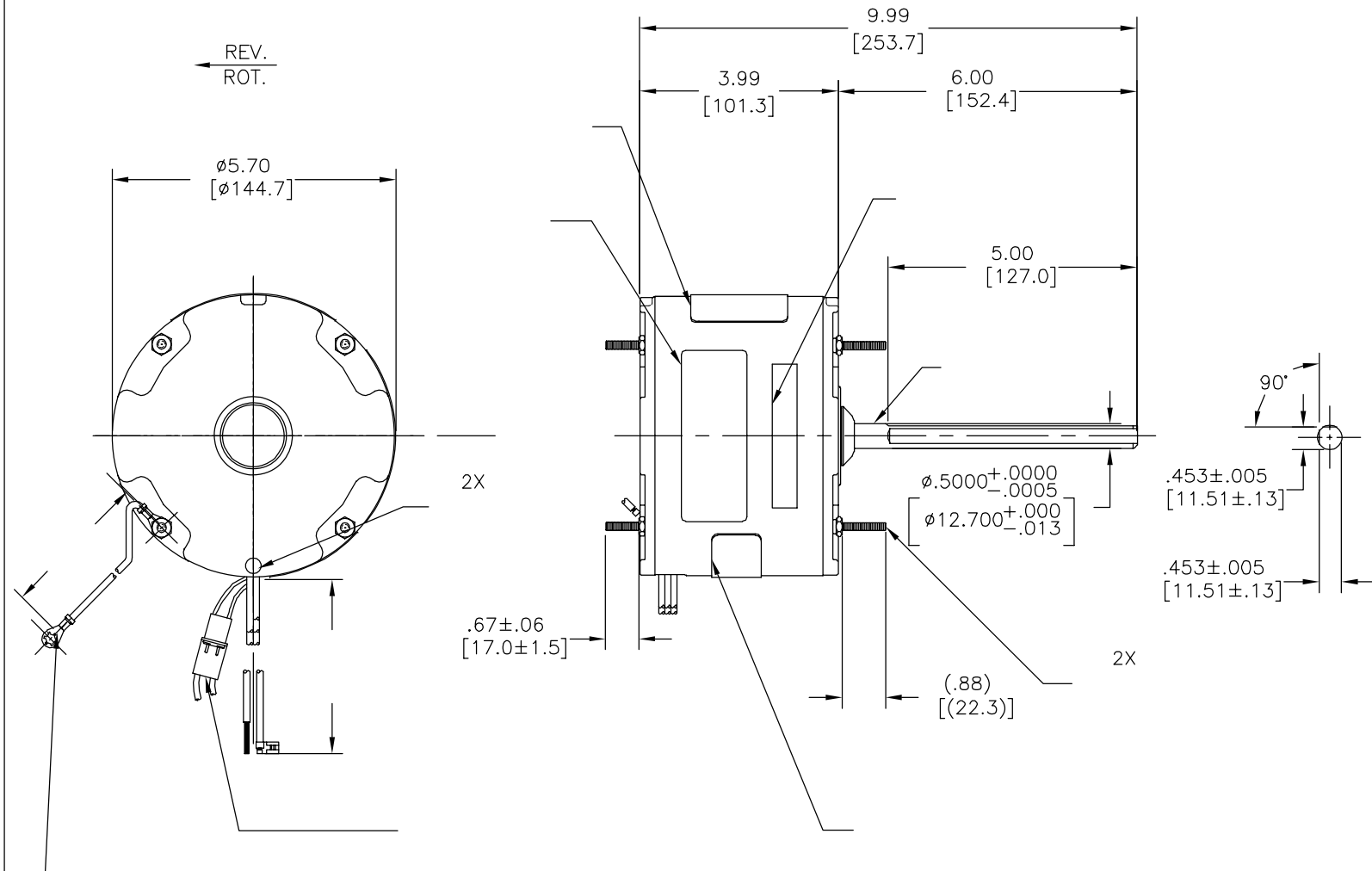
4

3

2

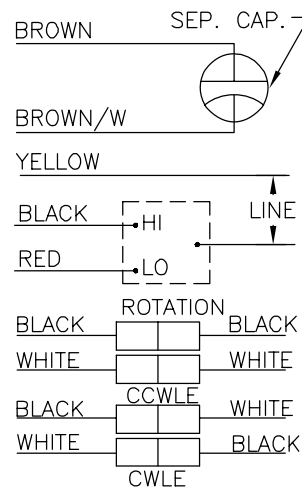
1

版本	ECO	编制	日期	批准	日期
B	0025549	I. ORTIZ	04-30-2012	D. BALDERRAMA	04-30-2012



SEE NOTE 1

MODEL NO.: F48SF6L6
 CUST. P/N: []
 HP: 1/6
 ROT: REVERSIBLE
 RPM: 1075/750
 TYPE: UF
 FRAME: 48Y
 VOLTS: 208-230
 PH: 1
 AMPS: 0.9 (1.3 MAX.)
 HZ: 60
 INS: B
 AMB: 60 °C
 DUTY: AIR OVER
 CAP.: 5 MFD/370V
 ENCL: ENCLOSED
 CSA LOGO
 UL LOGO
 THERMALLY PROTECTED



614131-109

	3.0/5.0	
	12.0/13.0	
	26.0/28.0	
	26.0/28.0	
	26.0/28.0	
	26.0/28.0	
	26.0/28.0	
	26.0/28.0	
	26.0/28.0	

					CSA
C22893	19.0 OZ. FT.	EX11195	E46412	PRGY2	LR43341 4211-01

- 形位公差
- 平面度
- 直线度
- ∠ 倾斜度
- ⊥ 垂直度
- // 平行度
- 圆度
- ⊘ 圆柱度
- ⊙ 面轮廓度
- △ 线轮廓度
- ↗ 圆跳动
- ⊕ 位置度
- ⊙ 同轴度
- ≡ 对称度

ASME Y14.5M 1994

REGAL-BELOIT CORPORATION (RBC) 在个别领域为客户提供技术支持。鉴于RBC未收到任何涉及电机使用和应用环境的数据，电机的适用性由客户自己决定。

未注公差尺寸仅供参考。

绘图:	DZ	02-21-2011
批准:	DZ	02-21-2011
第三角投影		图纸格式发布日期 11-11-2011 图纸格式版本 G
机密: 本图纸及相关信息所有权归REGAL-BELOIT CORPORATION。未经REGAL-BELOIT CORPORATION书面授权, 不得泄露、复制、传播或作其他用途。—版权所有		



MODEL-RFHP-48FR
 OUTLINE

图幅 C 图号 F48SF6L6

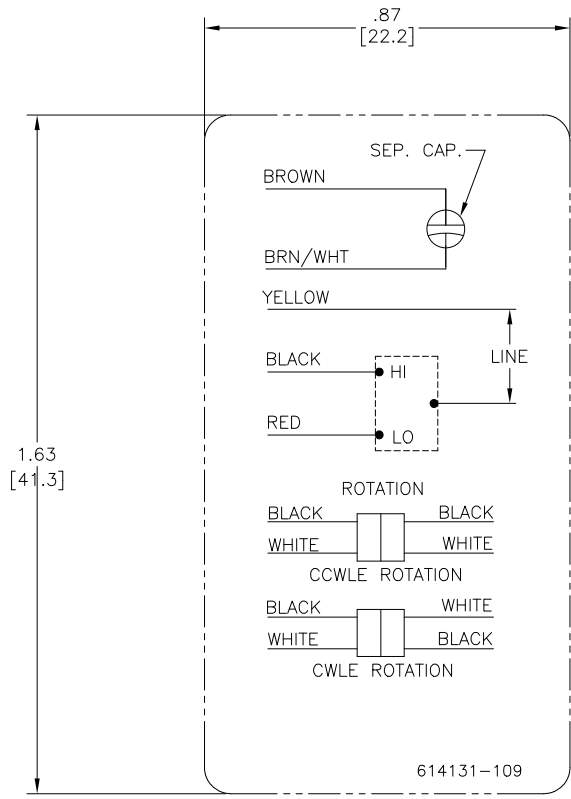
比例	NONE	页号	1
----	------	----	---

4

3

2

1



NOTES:

1. FOR USE WITH 614129 NAMEPLATE BLANK
2. - - - - - INDICATES DIMENSION LIMITS
3. DIE TO BE MADE FROM MASTER SUPPLIED BY A. O. SMITH CORPORATION
4. DIE MUST PRODUCE A LEGIBLE IMPRESSION.

DRAWING REVISION C	REVISION BY J. RUPERT	DATE 08-24-2021	TOLERANCES UNLESS OTHERWISE SPECIFIED	DRAWN BY: CZ			
ECO NMR-0210151	APPROVED BY J. RUPERT	DATE 08-24-2021	.X ±0.1 [±2.5] ±0.5° .XX ±0.02 [±0.51] .XXX ±0.005 [±0.127] .XXXX ±0.0005 [±0.0127]	DATE: 11-20-2009			
ECO DESCRIPTION REVISED FOR UP ISSUE			REMOVE BURRS & BREAK SHARP EDGES .003/.015 [0.076/.381] X 45° CORNER FILLETS R.02 [5.1] MACHINED SURFACES .125/32 mm SHOWN IN [BRACKETS]	APPROVED BY: TR	DESCRIPTION CONN DIAGRAM-NAMEPLATE		
<small> COPYRIGHT REGAL BELOIT AMERICA, INC. ALL RIGHTS RESERVED. PROPRIETARY AND CONFIDENTIAL INFORMATION - THIS DOCUMENT IS THE PROPERTY OF REGAL BELOIT AMERICA, INC. (OWNER) AND CONTAINS OWNER'S PROPRIETARY INFORMATION. ANY PERSON, CORPORATION OR OTHER ENTITY, DUPLICATING AND/OR USING, EXCEPT BY RECEIVING IT, TO AGREE THAT IT, AND/OR ANY PART OF IT, SHALL NOT BE DISCLOSED TO ANY PERSON, CORPORATION OR OTHER ENTITY, DUPLICATED, AND/OR USED, EXCEPT AS EXPRESSLY APPROVED IN WRITING IN ADVANCE BY OWNER. THIS DOCUMENT SHALL BE RETURNED TO OWNER UPON REQUEST. IT MAY BE SUBJECT TO CERTAIN RESTRICTIONS UNDER APPLICABLE EXPORT CONTROL LAWS AND REGULATIONS. </small>			DATE: 11-20-2009*	REFERENCE	MATERIAL	PROCESS/FINISH	
				THIRD ANGLE PROJECTION	SIZE	DWG NO	SHEET
					C	614131-109	1