

# PRODUCT INFORMATION PACKET



Model No: FS1024S  
Catalog No: FS1024S

Condenser Fan Motor, 1/4 HP, 1 Ph, 50 Hz, 208-230 V, 1625 RPM, 1 Speed, 48 Frame, SEMI ENCLOSED



Regal and Century are trademarks of Regal Rexnord Corporation or one of its affiliated companies.  
©2023 Regal Rexnord Corporation, All Rights Reserved. MC017097E





**Nameplate Specifications**

Output HP	1/4 Hp	Output KW	0.19 kW
Frequency	50 Hz	Voltage	208-230 V
Current	1.4 A	Speed	1625 rpm
Service Factor	1	Phase	1
Duty	Air Over	Insulation Class	B
Frame	48Y	Enclosure	Semi Enclosed
Thermal Protection	Automatic	Ambient Temperature	40 °C
UL	Recognized	CSA	Y
CE	N	Number of Speeds	1

**Technical Specifications**

Electrical Type	Permanent Split Capacitor	Starting Method	Across The Line
Poles	4	Rotation	Reversible
Mounting	Resilient Ring/Extended Studs	Motor Orientation	Any
Drive End Bearing	Ball	Opp Drive End Bearing	Ball
Frame Material	Rolled Steel	Shaft Type	Double Flat
Overall Length	9.42 in	Frame Length	3.38 in
Shaft Diameter	0.500 in	Shaft Extension	4.9 in
Connection Drawing	614131-242	Outline Drawing	FS1024S-S01

This is an uncontrolled document once printed or downloaded and is subject to change without notice. Date Created:02/16/2023

GENERAL INFORMATION:

SHAFT RUNOUT: .001[.03] T.I.R PER INCH LENGTH OF EXTENSION

BEARINGS: BALL

MOUNTING POSITION: HORIZONTAL

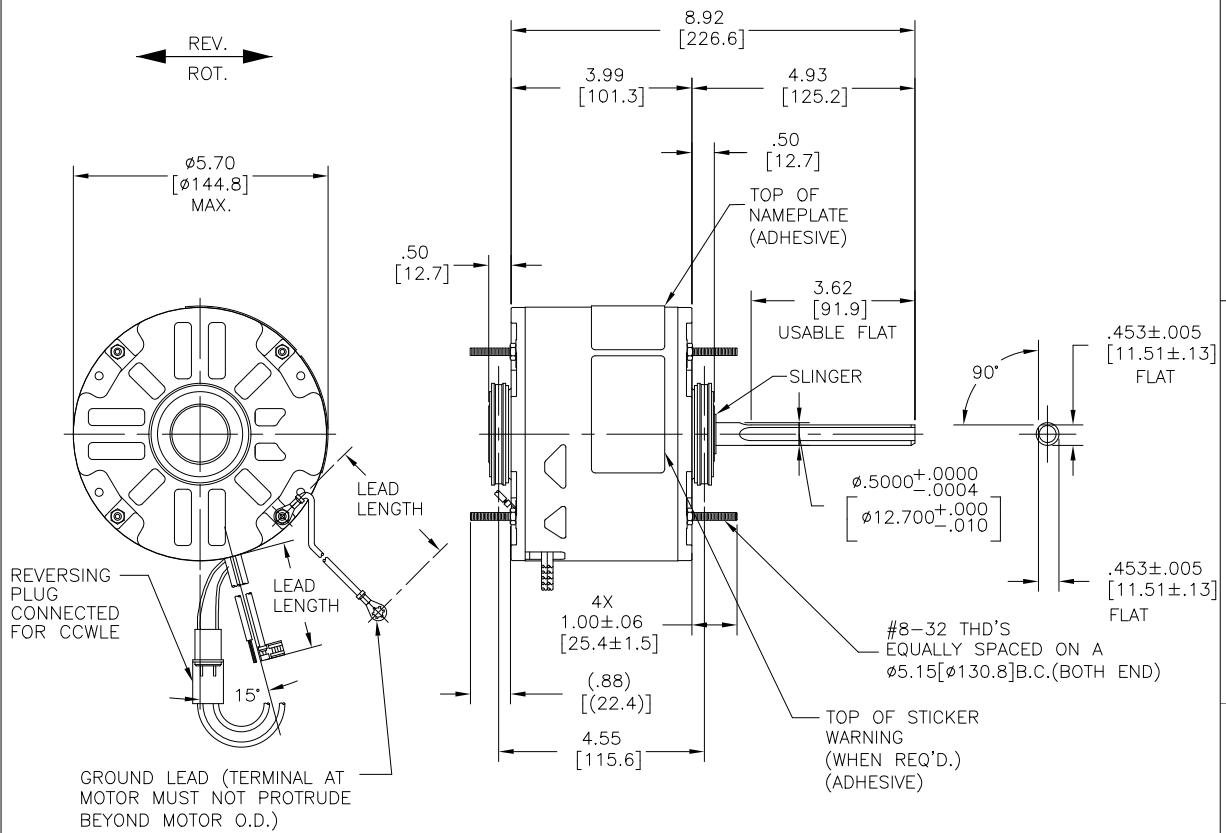
ELECTRICAL DATA:

OVERLOAD PROTECTOR: AUTOMATIC RESET (TSESATA 7AM 304)

LEADS: NO. 18 GA., .06[1.5] THK.. EPDM 125°C INSUL.

REVERSING LEADS: NO. 18 GA., .03[.8] THK.. XLP 125°C INSUL.

GROUND LEAD: NO. 18 GA., .03 [.8] THK. GREEN INSUL.



- NOTE:
1. SNAP RINGS 615035 (4 REQ'D) TO BE PACKED WITH EACH MOTOR.
  2. THE SYMBOL OF CTQ: ▲ (NO CTQ ON THIS DRAWING)
  3. MEET THE REQUIREMENT OF RoHS AND REACH:SEE EP000014\_5.1

NAMEPLATE DATA:	EXTERNAL CONNECTION DIAGRAM
MODEL NO.:F48L73A01 CUST. P/N:FS1024S HP: 1/4 ROT: REVERSIBLE RPM: 1625 TYPE: UF FRAME: 48Y VOLTS: 208-230 PH: 1 AMPS: 1.4 HZ: 50/60 INS: B AMB: 40 °C DUTY: AIR OVER CAP.: 5 MFD/370 V UL LOGO CSA LOGO THERMALLY PROTECTED	CONNECTION DIAGRAM BROWN SEP. CAP. BROWN/W WHITE BLACK LINE ROTATION BLACK WHITE WHITE CCWLE BLACK WHITE WHITE CWLE

LEAD DATA		
COLOR	LENGTH	TERMINAL OR STRIP LENGTH
BLACK	36.0/38.0 [914/965]	.50[12.7] STRIP
WHITE	36.0/38.0 [914/965]	.50[12.7] STRIP
BROWN	36.0/38.0 [914/965]	.25[6.4] FLAG
BROWN/WHITE	36.0/38.0 [914/965]	.25[6.4] FLAG
BLACK/WHITE	4.0/5.0 [101/127]	.50[12.7] STRIP
GREEN(GRD)	12.0/13.0 [304/330]	#10 EYELET

REGAL-BELOIT CORPORATION (RBC) PROVIDES TECHNICAL ASSISTANCE TO OUR CUSTOMERS IN SEVERAL AREAS. SINCE RBC DOES NOT RECEIVE ALL DATA CONCERNING THE USE AND APPLICATION OF THE MOTOR, THE SUITABILITY OF THE MOTOR FOR THE APPLICATION MUST BE DETERMINED BY THE CUSTOMER.

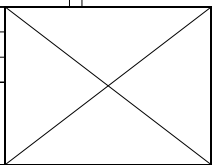
DIMENSIONS WITHOUT TOLERANCES ARE FOR REFERENCE ONLY.

ENCLOSURE	
END FRAME - LE	OPEN
MAIN FRAME - LE	SEMI-ENCLOSED
END FRAME - OLE	ENCLOSED
MAIN FRAME - OLE	ENCLOSED

DISTRIBUTION SERVICE	CUSTOMER
----------------------	----------

PERFORMANCE CURVE NO.	TORQUE @ 1625 RPM (25°C)	APPROVED SAMPLE	UL COMPONENT		CSA	
C31663	15.4 OZ.FT.	98AC139A	FILE #	CCN #	FILE #	CLASS #
			E46412	PRGY2	LR43341	4211-01

DRAWING REVISION	REVISION BY	DATE
ECO	J. RUPERT	08-18-2021
NMR-0210148	J. RUPERT	08-18-2021
REMOVED SPANISH NAMEPLATE		



DRAWN BY: A. NAJERA	Regal Beloit America, Inc.
DATE: 05-04-2011	
APPROVED BY: J. RUPERT	DESCRIPTION: MODEL-RFHP-48FR OUTLINE
DATE: 05-04-2011	MATERIAL: -
PROCESS/FINISH: -	SIZE: -
THIRD ANGLE PROJECTION	DWG NO: FS1024S
	SHEET 1



- NOTES:
1. FOR USE WITH 614129 NAMEPLATE BLANK
  2. — — — — — INDICATES DIMENSION LIMITS
  3. DIE TO BE MADE FROM MASTER SUPPLIED BY REGAL REXNORD CORPORATION
  4. DIE MUST PRODUCE A LEGIBLE IMPRESSION.

DRAWING REVISION H	REVISION BY J. RUPERT	DATE 03-16-2022
ECO NMR-0213140	APPROVED BY J. RUPERT	DATE 03-16-2022
ECO DESCRIPTION REVISED FOR UP ISSUED		

TOLERANCES UNLESS OTHERWISE SPECIFIED			
DEC.	INCH	mm	ANGLE
.X	±0.1	[±2.5]	±0.5°
.XX	±0.02	[±0.51]	
.XXX	±0.005	[±0.127]	
.XXXX	±0.0005	[±0.0127]	
REMOVE BURRS & BREAK SHARP EDGES .003/.015 [0.076/.381] X 45°			
CORNER FILLETS R.02 [.51]			
MACHINED SURFACES			
	INCH	mm	
	125	3.2	
mm SHOWN IN [BRACKETS]			

DRAWN BY: YL	
DATE: 04-15-2011	
APPROVED BY: HZ	
DATE: 04-15-2011	
REFERENCE	
THIRD ANGLE PROJECTION	

Regal Beloit America, Inc.	
DESCRIPTION CONNECTION DIAGRAM EXTERNAL	
MATERIAL	PROCESS/FINISH
SIZE A	DWG NO 4 of 4
614131-242	
SHEET 1	

COPYRIGHT REGAL BELOIT AMERICA, INC. ALL RIGHTS RESERVED. PROPRIETARY AND CONFIDENTIAL INFORMATION - THIS DOCUMENT IS THE PROPERTY OF REGAL BELOIT AMERICA, INC. ("OWNER") AND CONTAINS OWNER'S PROPRIETARY INFORMATION. ANY PERSON, CORPORATION OR OTHER FIRM RECEIVING IT IS DEEMED, BY RECEIVING IT, TO AGREE THAT IT, AND/OR ANY PART OF IT, SHALL NOT BE DISCLOSED TO ANY PERSON, CORPORATION OR OTHER ENTITY, DUPLICATED, AND/OR USED, EXCEPT AS EXPRESSLY APPROVED IN WRITING IN ADVANCE BY OWNER. THIS DOCUMENT SHALL BE RETURNED TO OWNER UPON REQUEST. IT MAY BE SUBJECT TO CERTAIN RESTRICTIONS UNDER APPLICABLE EXPORT CONTROL LAWS AND REGULATIONS.