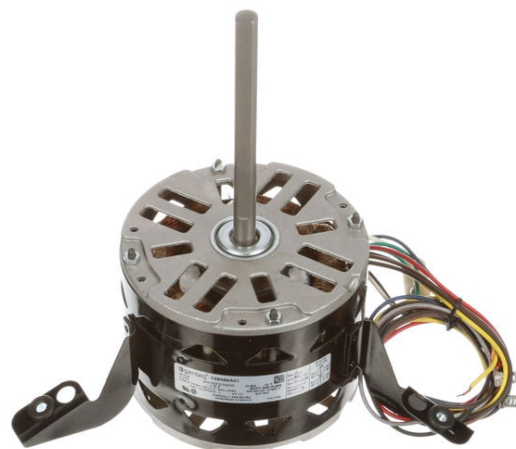


# PRODUCT INFORMATION PACKET



Model No: FML1026  
Catalog No: FML1026

Fan Coil & Air Conditioner Motor, 1/4 HP, 1 Ph, 60 Hz, 115 V, 1075 RPM, 3 Speed, 48 Frame, OPEN



Regal and Century are trademarks of Regal Rexnord Corporation or one of its affiliated companies.  
©2022 Regal Rexnord Corporation, All Rights Reserved. MC017097E





**Nameplate Specifications**

Output HP	1/4 Hp	Output KW	0.19 kW
Frequency	60 Hz	Voltage	115 V
Current	3.7 A	Speed	1075 rpm
Service Factor	1	Phase	1
Duty	Air Over	Insulation Class	B
Frame	48Y	Enclosure	Open Enclosed
Thermal Protection	Automatic	Ambient Temperature	50 °C
UL	Recognized	CSA	Y
CE	N	Number of Speeds	3

**Technical Specifications**

Electrical Type	Permanent Split Capacitor	Starting Method	Across The Line
Poles	6	Rotation	Reversible
Mounting	Flexible Arms	Motor Orientation	Horizontal
Drive End Bearing	Sleeve	Opp Drive End Bearing	Sleeve
Frame Material	Rolled Steel	Shaft Type	Flat
Overall Length	10.11 in	Frame Length	3.50 in
Shaft Diameter	0.500 in	Shaft Extension	6 in
Outline Drawing	FML1026-S01		

This is an uncontrolled document once printed or downloaded and is subject to change without notice. Date Created:12/08/2022

4

3

2

1

GENERAL INFORMATION:

SHAFT RUNOUT: .001 [.03] T.I.R. PER INCH LENGTH OF EXTENSION

BEARINGS: BALL

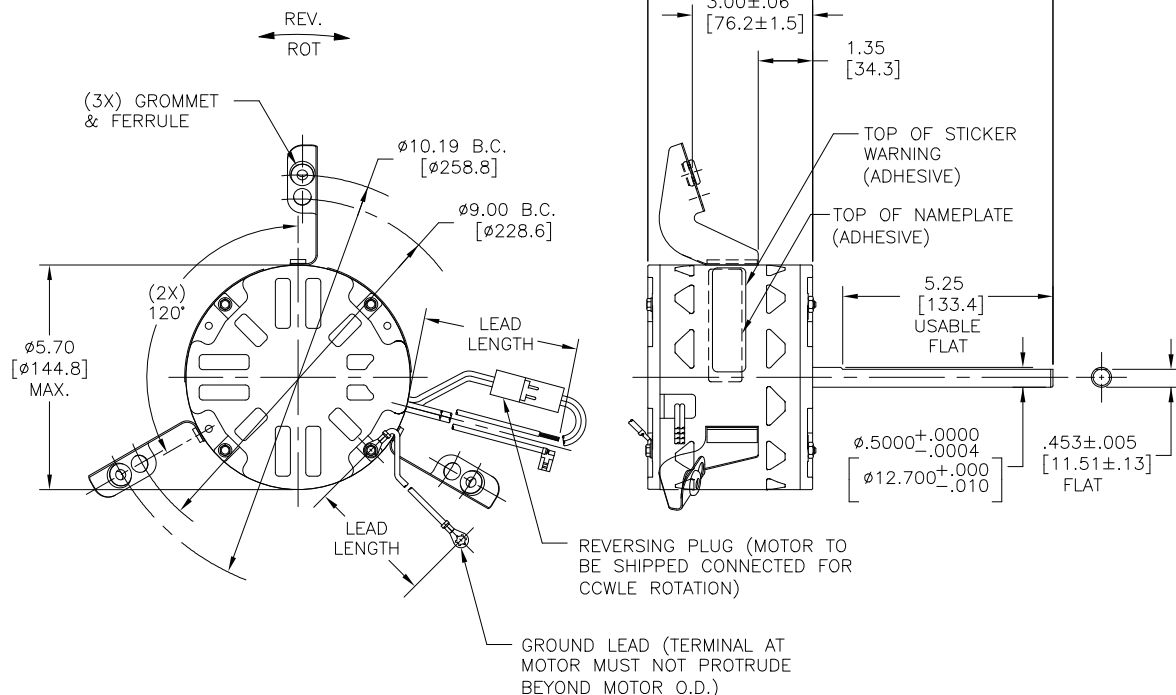
MOUNTING POSITION: HORIZONTAL

ELECTRICAL DATA:

OVERLOAD PROTECTOR: AUTOMATIC RESET (SENSATA 7AM 036)

LEADS: NO. 18 GA., .03 [.8] THK., XLP 125°C INSULATION

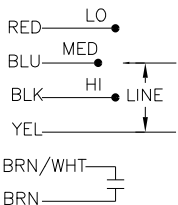
GROUND LEAD: NO. 18 GA., .03 [.8] THK., (GREEN) INSULATION



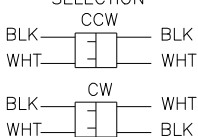
NAMEPLATE DATA:

EXTERNAL CONNECTION DIAGRAM

MODEL NO.: F48N84A01  
 CUST. P/N: FML1026  
 HP: 1/4  
 ROT.: REVERSIBLE  
 RPM: 1075/3 SPD.  
 TYPE: UF  
 FRAME: 48Y  
 VOLTS: 115  
 PH: 1  
 AMPS: 3.7  
 HZ: 60  
 INS.: B  
 AMB.: 50° C  
 DUTY: AIR OVER  
 CAP.: 7.5 MFD/370 V  
 ENCL: OPEN  
 UL LOGO  
 CSA LOGO  
 THERMALLY PROTECTED



ROTATION SELECTION



PERFORMANCE CURVE NO.	TORQUE @ 1075 RPM (25°C)	APPROVED SAMPLE	UL COMPONENT		CSA	
			FILE #	CCN #	FILE #	CLASS #
C31882	22.5 OZ. FT	99AC398A	E46412	PRGY2	LR43341	4211-01

GREEN (GRD)	12.0/13.0 [305/330]	#10 EYELET
BLACK/WHITE	3.0/5.0 [76/127]	REVERSING PLUG
BROWN/WHITE	26.0/28.0 [660/711]	.25 [6.4] FLAG
BROWN	26.0/28.0 [660/711]	.25 [6.4] FLAG
YELLOW	26.0/28.0 [660/711]	.50 [12.7] SKIN
BLACK	26.0/28.0 [660/711]	.50 [12.7] SKIN
BLUE	26.0/28.0 [660/711]	.50 [12.7] SKIN
RED	26.0/28.0 [660/711]	.50 [12.7] SKIN
COLOR	LENGTH	TERMINAL OR STRIP LENGTH

REGAL-BELOIT CORPORATION (RBC) PROVIDES TECHNICAL ASSISTANCE TO OUR CUSTOMERS IN SEVERAL AREAS. SINCE RBC DOES NOT RECEIVE ALL DATA CONCERNING THE USE AND APPLICATION OF THE MOTOR, THE SUITABILITY OF THE MOTOR FOR THE APPLICATION MUST BE DETERMINED BY THE CUSTOMER.

DIMENSIONS WITHOUT TOLERANCES ARE FOR REFERENCE ONLY.

MAIN FRAME - OLE	OPEN
END FRAME - LE	OPEN
MAIN FRAME - LE	OPEN
END FRAME - LE	OPEN

CUSTOMER	DISTRIBUTION SERVICE
----------	----------------------

DRAWING REVISION	REVISION BY	DATE
ECC	J. RUPERT	05-24-2022
NMR-0214305	J. RUPERT	05-24-2022

ECO DESCRIPTION  
 CHANGED TO BALL BEARING

© COPYRIGHT REGAL-BELOIT AMERICA, INC. ALL RIGHTS RESERVED. PROPRIETARY AND CONFIDENTIAL INFORMATION - THIS DOCUMENT IS THE PROPERTY OF REGAL-BELOIT AMERICA, INC. ("OWNER") AND CONTAINS OWNER'S PROPRIETARY INFORMATION. ANY PERSON, CORPORATION OR OTHER FIRM RECEIVING IT IS DEEMED TO ACCEPT IT, TO AGREE THAT IT, AND/OR ANY PART OF IT, SHALL NOT BE DISCLOSED TO ANY PERSON, CORPORATION OR OTHER ENTITY, DUPLICATED, AND/OR USED, EXCEPT AS EXPRESSLY APPROVED IN WRITING IN ADVANCE BY OWNER. THIS DOCUMENT SHALL BE RETURNED TO OWNER UPON REQUEST. IT MAY BE SUBJECT TO CERTAIN RESTRICTIONS UNDER APPLICABLE EXPORT CONTROL LAWS AND REGULATIONS.

DRAWN BY:	DATE:
J. ZHU	04-07-2012
APPROVED BY:	DATE:
B. SHEN	04-07-2012

<b>REGAL™</b> Regal Beloit America, Inc.	
DESCRIPTION	MODEL-RFHP-48FR OUTLINE
MATERIAL	PROCESS/FINISH
SIZE	DWG NO
C	FML1026
THIRD ANGLE PROJECTION	SHEET
	1

4

3

2

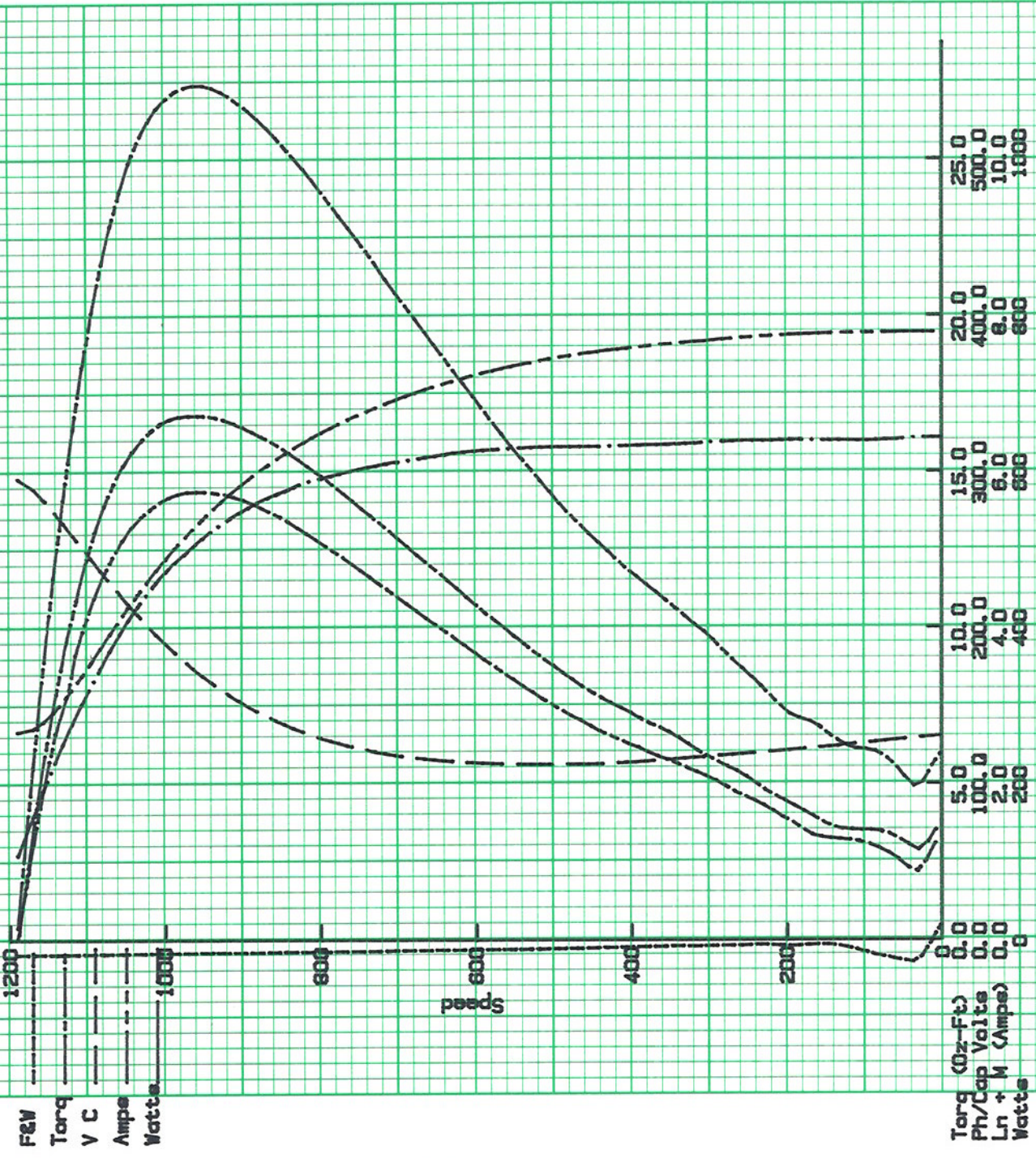
1

C31882

A. O. SMITH CORPORATION, ELECTRICAL PRODUCTS COMPANY

Table #1

Type: Motor No.: 1  
 Fr: 115 RPM  
 HP: 0.25  
 Rot: 1075 Hz  
 CCWLE: 60  
 Model: 98AC388A  
 Cap: 7.5 mfd  
 Date: 10/21/99  
 Time: 18:55:28



C31882

NO. XY 1001-SP3

CAD ONE, INC.



## Specification & Rating Report

Item Number: **FML1026**

Specification Number: **1**

Model Number: **F48N84A01**

Carton Label Model  
Number:

Customer Model  
Number:

Agency Type:

CE: **N**

CSA: **Y**

UL: **Y**

UL Explosion Proof Rating:

Sample Number:

Customer Specification  
Number:

Catalog Number: **FML1026**

CE Number:

CSA Number: **NO**

UL Number: **NO**

Cubic Feet Per Minute:

F2 Assembly:

UPC Model Number:

UPC Catalog Number: **786674021151**

Nameplate Drive  
Bearing Type:

Nameplate Opposite  
Drive Bearing Type:

Capacitor:

Capacitor Rating MFD: **7.5**

Control Code:

DC Design Number:

Form Factor:

Connection Diagram:

Lubrication Label  
Diagram:

Outline Diagram: **FML1026-S01**

Label Drive Bearing **BALL**  
Type:

Label Opposite Drive **BALL**  
Bearing Type:

Capacitor Included: **N**

Capacitor Rating VAC: **370**

Design Status:

Features:

Installation Diagram:

Warning Label  
Diagram:

Outline Graphic: **12A**

Ambient Temperature: **50**

Insulation Class: **B**



## Specification & Rating Report

---

Protector: <b>AUTOMATIC</b>	Thermal Protection:
Nameplate Overload:	Label Overload:
IP Code:	
Nameplate Enclosure: <b>OPEN</b>	Label Enclosure: <b>OPEN</b>
Frame Length: <b>3.5</b>	Frame Length UOM:
Frame Diameter:	Frame Diameter UOM:
Frame Size: <b>48Y</b>	
Frame Material: <b>ROLLED STEEL</b>	End Frame Material:
Operator Instruction Manual:	
Nameplate Mounting:	Label Mounting: <b>FLEX ARMS</b>
Base Height:	Base Height UOM:
Ring Diameter:	RingDiameterUOM:
Nameplate:	Carton Label:
Nameplate Location <b>L</b> Format:	
Brake:	Tachometer:
Layer Quantity:	Pallet Quantity:
Phase: <b>1</b>	CurrentType:
DC Pole:	
Poles: <b>6</b>	
Speeds: <b>3</b>	
Duty: <b>AIR OVER</b>	
Shaft Diameter: <b>1/2</b>	Shaft Diameter UOM:
Shaft Extension: <b>6</b>	Shaft Extension UOM:
Shaft Material:	Rotation: <b>REVERSIBLE</b>
Shaft Type: <b>FLAT</b>	
Motor Type: <b>UF</b>	
Motor Use:	
Nameplate 1:	
Nameplate 2:	
Nameplate Text 1: <b>USE BOTH ROTATION ARROWS</b>	



## Specification & Rating Report

---

Nameplate Text 2:

Nameplate Text 3:

Nameplate Text 4:

Label Text 1: **PERMANENT**

**SPLIT**

**CAPACITOR**

Label Text 2:

Label Text 3: **CONSERVATIONIST**

**DIRECT DRIVE**

**BLOWER FLEXIMOUNT**

**MOTOR**

Label Text 4:

Brand Line:

Vendor Line:

Motor Weight:

Motor Weight UOM:

Shipping Weight:

Shipping Weight UOM:

Armature Field  
Winding:

Core Length:

Core Length UOM:

Winding Code:

Winding Specification:

Nameplate Only  
Instructions:

Nameplate & Label  
Instructions:

Label Only  
Instructions:

## Specification & Rating Report



Rating Number: 1

Horsepower: **1/4**

Volts: **115**

Hertz: **60**

Field Current:

Revolutions Per Minute: **1075/3 SPD.**

Service Factor: **1.0**

Service Factor Amps:

NEMA Code:

NEMA Design:

Customer Nameplate Number:

Kilowatts:

Amps: **3.7**

Maximum Amps:

Armature Current:

Power Factor:

Service Factor Volts:

NEMA Nominal Efficiency:

NEMA Guaranteed Efficiency: