

PRODUCT INFORMATION PACKET



Model No: FEH1056D
Catalog No: FEH1056D

Condenser Fan Motor, 1/2 HP, 1 Ph, 60 Hz, 208-230/460 V, 1075 RPM, 1 Speed, 48 Frame, TEAO



Regal and Century are trademarks of Regal Rexnord Corporation or one of its affiliated companies.
©2023 Regal Rexnord Corporation, All Rights Reserved. MC017097E





Nameplate Specifications

Output HP	1/2 Hp	Output KW	0.37 kW
Frequency	60 Hz	Voltage	208-230/460 V
Current	2.4/1.2 A	Speed	1075 rpm
Service Factor	1	Phase	1
Duty	Air Over	Insulation Class	B
Frame	48Y	Enclosure	Totally Enclosed Air Over
Thermal Protection	Automatic	Ambient Temperature	60 °C
UL	Recognized	CSA	Y
CE	N	Number of Speeds	1

Technical Specifications

Electrical Type	Permanent Split Capacitor	Starting Method	Across The Line
Poles	6	Rotation	Reversible
Mounting	Resilient Rings	Motor Orientation	Any
Drive End Bearing	Ball	Opp Drive End Bearing	Ball
Frame Material	Rolled Steel	Shaft Type	Double Flat
Overall Length	12.11 in	Frame Length	5.00 in
Shaft Diameter	0.500 in	Shaft Extension	6 in
Connection Drawing	614131-309	Outline Drawing	F48U84A01-S01

This is an uncontrolled document once printed or downloaded and is subject to change without notice. Date Created:02/16/2023

4

3

2

1

REV	ECO	REV BY	DATE	APPD	DATE
B	0025548	I. ORTIZ	04-27-2012	D. BALDERRAMA	04-27-2012

GENERAL INFORMATION:

SHAFT RUNOUT: .001[.03] T.I.R. PER INCH LENGTH OF EXTENSION.

BEARINGS: BALL

MOUNTING POSITION: ALL ANGLE

ELECTRICAL DATA:

OVERLOAD PROTECTOR: AUTOMATIC RESET (T.I. 7AM 036)

LEADS: NO. 18 GA., .06[1.5] THK. 125°C INSUL.

REVERSING LEADS: NO. 18 GA., .03[.8] THK. 125°C INSUL.

GROUND LEAD: NO. 18 GA., .03[.8] THK. GREEN INSUL.

NOTES:

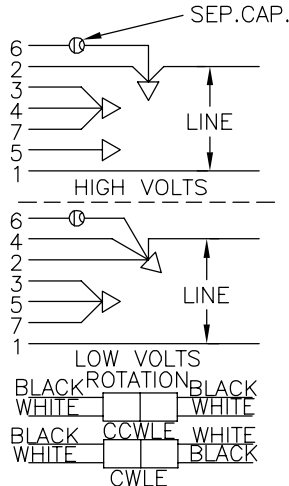
1. DISTRIBUTION: CUST. P/N: FEH1056D
GRAINGER: CUST. P/N: 4MA46

NAMEPLATE DATA:

MODEL: F48U84A01
CUST. P/N: [-----]
HP: 1/2
ROT.: REVERSIBLE
RPM: 1075
TYPE: UF
FRAME: 48Y
VOLTS: 208-230/460
PH: 1
AMPS: 2.4/1.2
HZ: 60
INS.: B
AMB: 60 °C
DUTY: AIR OVER
CAP.: 10 MFD/370 V
ENCL: ENCLOSED
CSA LOGO
UL LOGO
THERMALLY PROTECTED

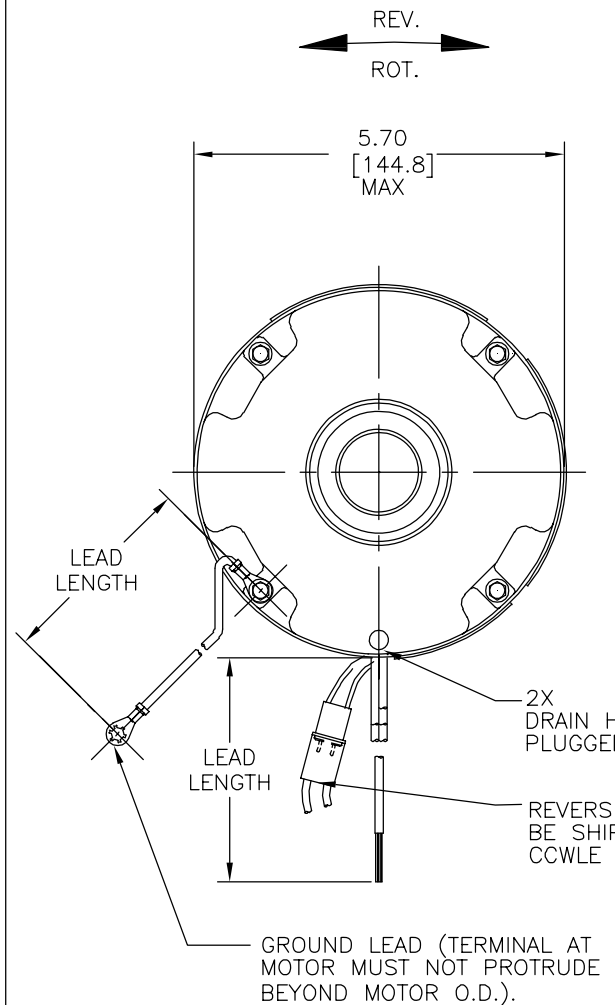
SEE NOTE 1

EXTERNAL CONNECTION DIAGRAM

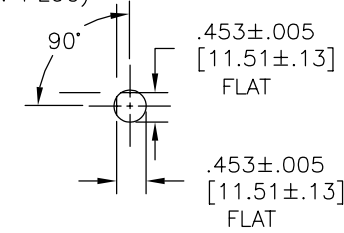
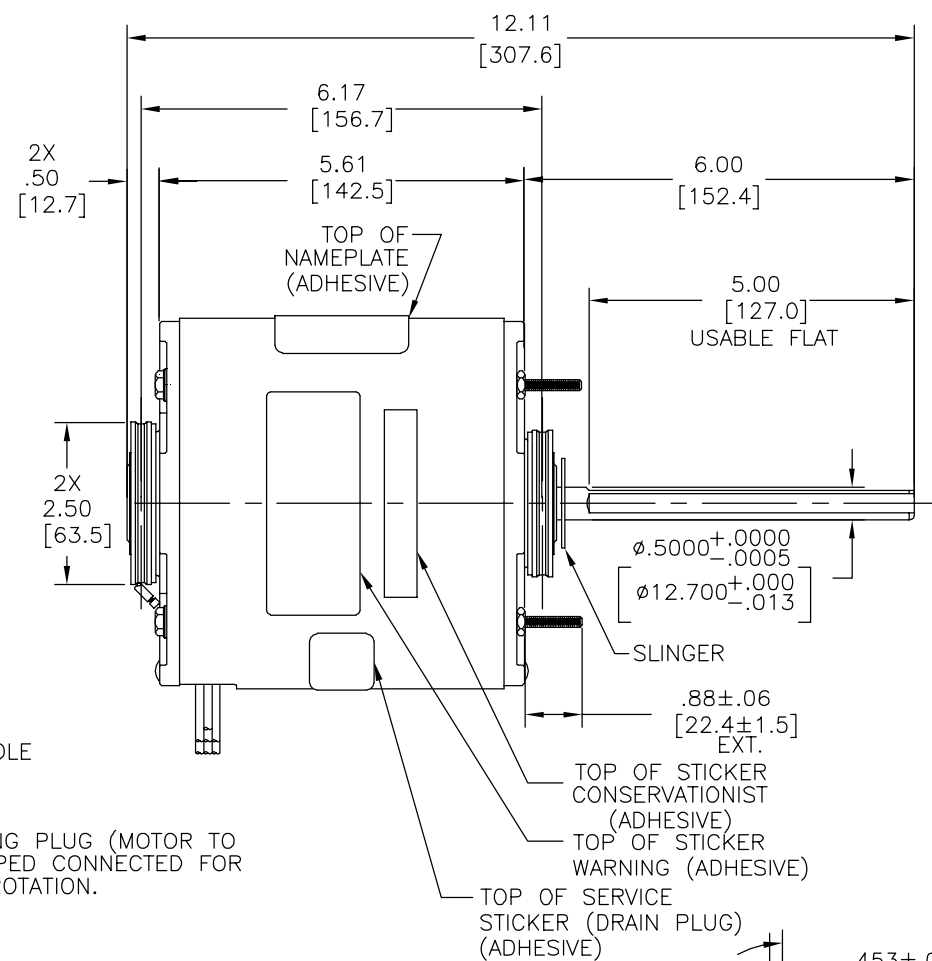


614131-309

PERFORMANCE CURVE NO.	TORQUE @1075 RPM (25°C)	APPROVED SAMPLE	UL COMPONENT	CSA
C24157	48.9 OZ. FT.	-	FILE #	CNN #
			FILE #	CLASS #
			E46412	PRGY2 LR43341 4211-01



GREEN(GRD)	12.0/13.0 [305/330]	#10 EYELET
BLACK/WHITE	3.0/5.0 [76/127]	REVERSING PLUG
RED(1)	5.0/7.0 [127/178]	.50[12.7] SKIN
RED(2)	5.0/7.0 [127/178]	.50[12.7] SKIN
RED(3)	5.0/7.0 [127/178]	.50[12.7] SKIN
YELLOW(4)	5.0/7.0 [127/178]	.50[12.7] SKIN
YELLOW(5)	5.0/7.0 [127/178]	.50[12.7] SKIN
YELLOW(6)	5.0/7.0 [127/178]	.50[12.7] SKIN
BLUE(7)	5.0/7.0 [127/178]	.50[12.7] SKIN
COLOR	LENGTH	TERMINAL OR STRIP LENGTH



MAIN FR.-OLE	ENCLOSED
END FR.-OLE	ENCLOSED
MAIN FR.-LE	ENCLOSED
END FR.-LE	ENCLOSED

CUSTOMER	DISTRIBUTION SERVICE
----------	----------------------

A

GEOMETRIC CHARACTERISTICS & SYMBOLS
 ▽ FLATNESS
 — STRAIGHTNESS
 ∠ ANGULARITY
 ⊥ PERPENDICULARITY (SQUARENESS)
 ∥ PARALLELISM
 ○ ROUNDNESS (CIRCULARITY)
 ∅ CYLINDRICITY
 △ PROFILE OF ANY SURFACE
 ∩ PROFILE OF ANY LINE
 ↗ RUNOUT
 ⊕ TRUE POSITION
 ⊙ CONCENTRICITY
 = SYMMETRY
 ASME Y14.5M 1994

REGAL-BELOIT CORPORATION (RBC) PROVIDES TECHNICAL ASSISTANCE TO OUR CUSTOMERS IN SEVERAL AREAS. SINCE RBC DOES NOT RECEIVE ALL DATA CONCERNING THE USE AND APPLICATION OF THE MOTOR, THE SUITABILITY OF THE MOTOR FOR THE APPLICATION MUST BE DETERMINED BY THE CUSTOMER.
 DIMENSIONS WITHOUT TOLERANCES ARE FOR REFERENCE ONLY.

DR BY: DZ 02-21-2011
 APPD: Z 02-21-2011
 EDS DATE 11-11-2011
 FORMAT REV G
 THIRD ANGLE PROJECTION
 CONFIDENTIAL: THIS DRAWING AND ITS INFORMATION ARE THE EXCLUSIVE AND CONFIDENTIAL PROPERTY OF REGAL-BELOIT CORPORATION AND ARE NOT TO BE DISCLOSED, DUPLICATED, DISTRIBUTED OR OTHERWISE USED WITHOUT THE WRITTEN CONSENT OF REGAL-BELOIT CORPORATION. -ALL RIGHTS RESERVED.

REGAL-BELOIT CORPORATION

DESCRIPTION: MODEL-RFHP-48FR OUTLINE

SIZE: C DWG NO: F48U84A01

SCALE: NONE SHEET: 1

4

3

2

1

4

3

2

1

INFORMACION GENERAL:

OSCILACION DE FLECHA: .001[.03] L.T.I. LONGITUD DE EXTENSION POR PULG.

BALEROS: BALEROS
 POSICION DE MONTAJE: TODOS LOS ANGULOS

DATOS ELECTRICOS:

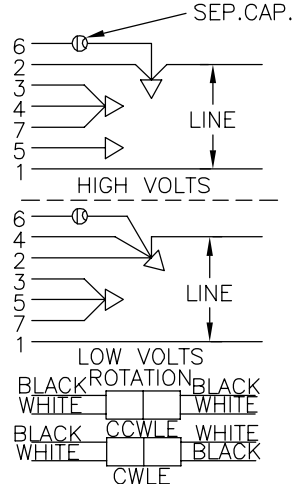
PROTECTOR DE SOBRECARGA: REINICIO AUTOMATICO (T.I. 7AM 036)
 CABLES: CAL. NO. 18, .06 [1.5] ESPESOR 125°C AISLANTE
 CABLES DE CONTRAMARCHA: CAL. NO 18., .03[.8] ESP. 125°C AIS.
 CABLE A TIERRA: CAL. NO 18., .03[.8] ESP. AISL. VERDE

NOTA:
 DISTRIBUCION: CLIENTE P/N: FEH1056D
 TEXTURA: CUST P/N: 4MA46

INF. PLACA DE DATOS:

DIAGRAMA DE CONEXION EXTERNA

MODEL: F48U84A01
 CUST. P/N: [-----]
 HP: 1/2
 ROT.: REVERSIBLE
 RPM: 1075
 TYPE: UF
 FRAME: 48Y
 VOLTS: 208-230/460
 PH: 1
 AMPS: 2.4/1.2
 HZ: 60
 INS.: B
 AMB: 60 °C
 DUTY: AIR OVER
 CAP.: 10 MFD/370 V
 ENCL: ENCLOSED
 CSA LOGO
 UL LOGO
 THERMALLY PROTECTED



614131-309

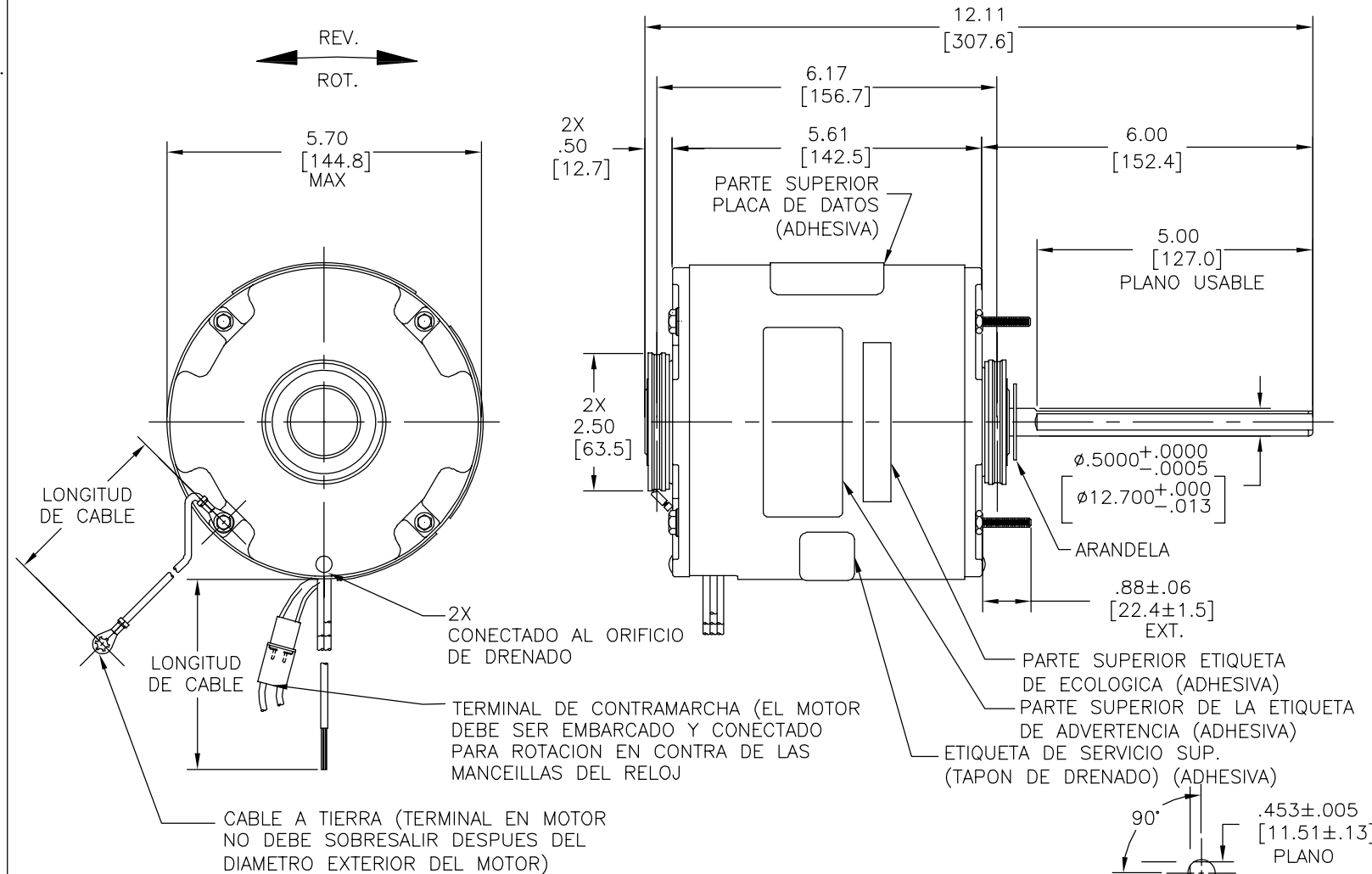
CURVAS DE FUNCIONAMIENTO	TORSION @1075 RPM (25°C)	MUESTRA APROBADA	COMPONENTE UL		CSA	
			ARCH. #	CNN #	ARCH #	CLASS #
C24157	48.9 OZ. FT.	-	E46412	PRGY2	LR43341	4211-01

CARACTERISTICAS DE GEOMETRIA Y SIMBOLOS
 ▽ PLANICIDAD
 ⊥ RECTITUD
 ∠ ANGULARIDAD
 ⊥ PERPENDICULARIDAD (A ESCUADRA)
 // PARALELISMO
 ○ REDONDEZ (CIRCULARIDAD)
 ∅ CILINDRICIDAD
 △ PERFIL DE CUALQUIER SUPERFICIE
 ∇ PERFIL DE CUALQUIER LINEA
 ↗ VARIACION
 ⊕ POSICION REAL
 ⊙ CONCENTRICIDAD
 = SIMETRIA
 ASME Y14.5M 1994

REGAL-BELOIT CORPORATION (RBC) PROVEE ASISTENCIA TECNICA A NUESTROS CLIENTES EN VARIAS AREAS. DESDE QUE RBC NO RECIBE TODOS LOS DATOS EN RELACION AL USO Y A LA APLICACION DEL MOTOR, LA APLICACION ADECUADA DEL MOTOR DEBE SER DETERMINADA POR EL CLIENTE.

DIMENSIONES SIN TOLERANCIA SON DE REFERENCIA SOLAMENTE

REVISION: ECO	REVISADO POR: I. ORTIZ	FECHA: 04-27-2012	APROBADO POR: D. BALDERRAMA	FECHA: 04-27-2012
B	0025548			



COLOR	LONGITUD	TERMINAL O LONGITUD DE DESFORRE
VERDE (TIERRA)	12.0/13.0 [305/330]	OJAL #10
NEGRO/BLANCO	3.0/5.0 [76/127]	TERMINAL DE CONTRAMARCHA
ROJO (1)	5.0/7.0 [127/178]	.50[12.7] DESFORRE
ROJO (2)	5.0/7.0 [127/178]	.50[12.7] DESFORRE
ROJO (3)	5.0/7.0 [127/178]	.50[12.7] DESFORRE
AMARILLO (4)	5.0/7.0 [127/178]	.50[12.7] DESFORRE
AMARILLO (5)	5.0/7.0 [127/178]	.50[12.7] DESFORRE
AMARILLO (6)	5.0/7.0 [127/178]	.50[12.7] DESFORRE
AZUL (7)	5.0/7.0 [127/178]	.50[12.7] DESFORRE

TIPO DE MOTOR	ENCERRADO
CARC. PRIN.-OLE	ENCERRADO
TAPA FINAL-OLE	ENCERRADO
CARC. PRIN.-LE	ENCERRADO
TAPA FINAL-LE	ENCERRADO

CLIENTE	DISTRIBUTION SERVICE
---------	----------------------

A

A

4

3

2

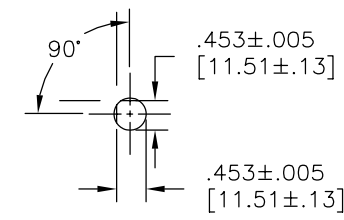
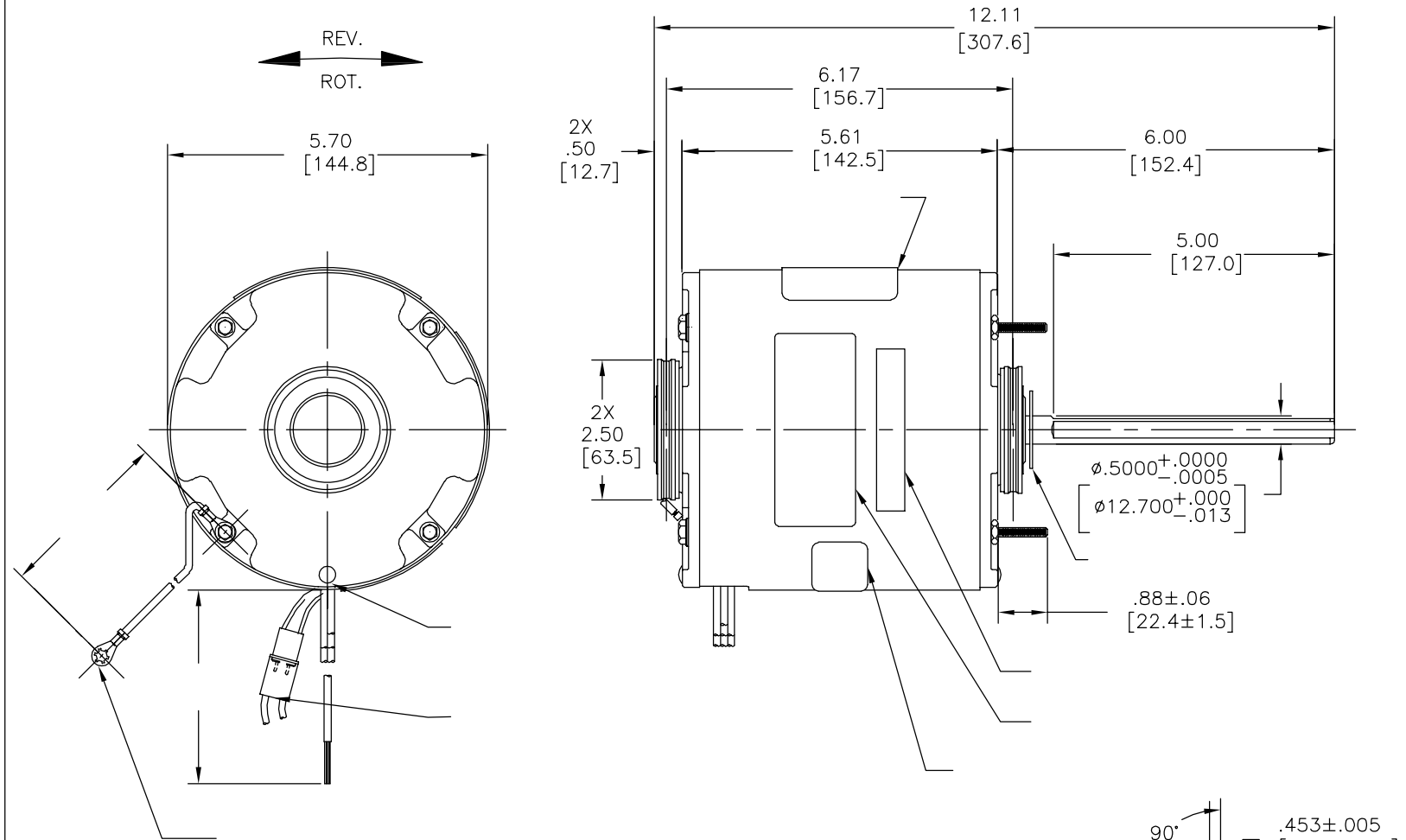
1

DIBUJADO POR: DZ	02-21-2011
APROBADO POR: Z	02-21-2011
TERCER ANGULO DE PROYECCION	FECHA EDS: 11-11-2011 REV. FORMATO: G
CONFIDENCIAL: ESTE DIBUJO Y SU INFORMACION SON PROPIEDAD DE USO EXCLUSIVO Y CONFIDENCIAL DE REGAL-BELOIT CORPORATION. Y NO DEBERAN SER REVELADOS, DUPLICADOS, DISTRIBUIDOS O USARSE DE OTRA MANERA SIN EL CONSENTIMIENTO ESCRITO DE REGAL-BELOIT CORPORATION. -TODOS LOS DERECHOS RESERVADOS.	



DESCRIPCION: MODEL-RFHP-48FR OUTLINE	
TAMAÑO: C	NUMERO DE DIBUJO: F48U84A01
ESCALA: NONE	HOJA: 1

版本	ECO	编制	日期	批准	日期
B	0025548	I. ORTIZ	04-27-2012	D. BALDERRAMA	04-27-2012



	12.0/13.0	
	[305/330]	
	3.0/5.0	
	[76/127]	
	5.0/7.0	.50[12.7]
	[127/178]	
	5.0/7.0	.50[12.7]
	[127/178]	
	5.0/7.0	.50[12.7]
	[127/178]	
	5.0/7.0	.50[12.7]
	[127/178]	
	5.0/7.0	.50[12.7]
	[127/178]	

MODEL: F48U84A01
 CUST. P/N: [-----]
 HP: 1/2
 ROT.: REVERSIBLE
 RPM: 1075
 TYPE: UF
 FRAME: 48Y
 VOLTS: 208-230/460
 PH: 1
 AMPS: 2.4/1.2
 HZ: 60
 INS.: B
 AMB: 60 °C
 DUTY: AIR OVER
 CAP.: 10 MFD/370 V
 ENCL: ENCLOSED
 CSA LOGO
 UL LOGO
 THERMALLY PROTECTED

SEP. CAP.

6
2
3
4
7
5
1

LINE

HIGH VOLTS

6
4
2
3
5
7
1

LINE

LOW VOLTS

BLACK ROTATION BLACK
 WHITE WHITE
 BLACK CCWLE WHITE
 WHITE CWLE BLACK

614131-309

					CSA
C24157	48.9 OZ. FT.	-	E46412	PRGY2	LR43341 4211-01

- 形位公差
- 平面度
- 直线度
- ∠ 倾斜度
- ⊥ 垂直度
- // 平行度
- 圆度
- ⊘ 圆柱度
- △ 面轮廓度
- ∩ 线轮廓度
- ↗ 圆跳动
- ⊕ 位置度
- ⊙ 同轴度
- ≡ 对称度

ASME Y14.5M 1994

REGAL-BELOIT CORPORATION (RBC) 在个别领域为客户提供技术支持。鉴于RBC未收到任何涉及电机使用和应用环境的数据，电机的适用性由客户自己决定。

未注公差尺寸仅供参考。

绘图: DZ 02-21-2011
 批准: Z 02-21-2011
 第三角投影 图纸格式发布日期 11-11-2011
 图纸格式版本 G
 机密: 本图纸及相关信息所有权归REGAL-BELOIT CORPORATION。未经REGAL-BELOIT CORPORATION书面授权, 不得泄露、复制、传播或作其他用途。一版权所有

REGAL-BELOIT CORPORATION

名称: MODEL-RFHP-48FR
 OUTLINE

图幅: C 图号: F48U84A01

比例: NONE 页号: 1