

PRODUCT INFORMATION PACKET



Model No: FE1036

Catalog No: FE1036

Condenser Fan Motor, 1/3 HP, 1 Ph, 60 Hz, 208-230 V, 1075 RPM, 2 Speed, 48 Frame, ENCLOSED



Regal and Century are trademarks of Regal Rexnord Corporation or one of its affiliated companies.

©2023 Regal Rexnord Corporation, All Rights Reserved. MC017097E





Nameplate Specifications

Output HP	1/3 Hp	Output KW	0.25 kW
Frequency	60 Hz	Voltage	208-230 V
Current	1.8 A	Speed	1075 rpm
Service Factor	1	Phase	1
Duty	Air Over	Insulation Class	B
Frame	48Y	Enclosure	Totally Enclosed
Thermal Protection	Automatic	Ambient Temperature	60 °C
UL	Recognized	CSA	Y
CE	N	Number of Speeds	2

Technical Specifications

Electrical Type	Permanent Split Capacitor	Starting Method	Across The Line
Poles	6	Rotation	Reversible
Mounting	Extended Studs	Motor Orientation	Vertical Shaft Up Or Down
Drive End Bearing	Ball	Opp Drive End Bearing	Ball
Frame Material	Rolled Steel	Shaft Type	Double Flat
Overall Length	11.67 in	Frame Length	4.50 in
Shaft Diameter	0.500 in	Shaft Extension	6 in
Connection Drawing	614131-109	Outline Drawing	F48A04A01-S01

This is an uncontrolled document once printed or downloaded and is subject to change without notice. Date Created:02/16/2023

4

3

2

1

REV	ECO	REV BY	DATE	APPD	DATE
B	0025547	I.MATA	04-30-2012	R.RASCON	04-30-2012

GENERAL INFORMATION:

SHAFT RUNOUT: .001 [.03] T.I.R. PER INCH[25.4mm] LENGTH OF EXTENSION

BEARINGS: BALL

MOUNTING POSITION: VERTICAL SHAFT UP OR DOWN

ELECTRICAL DATA:

OVERLOAD PROTECTOR: AUTOMATIC RESET (T.I. 7AM 036)

LEADS: NO. 18 GA., .06 [1.5] THK., PVC 105°C INSUL.

REVERSING LEADS: NO. 18 GA., .03 [.8] THK., 125°C INSUL.

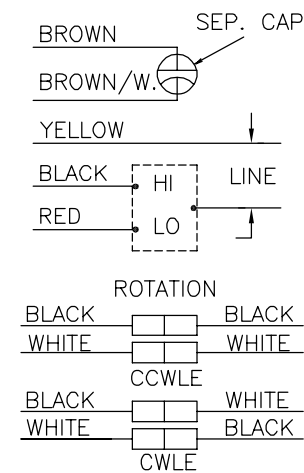
GROUND LEAD: NO. 18 GA., .03 [.8] THK., (GREEN) INSUL.

NAMEPLATE DATA:

MODEL NO.: F48A04A01
 CUST. P/N: []
 HP: 1/3
 ROT.: REVERSIBLE
 RPM: 1075/2 SPD
 TYPE: UF
 FRAME: 48Y
 VOLTS: 208-230
 PH: 1
 AMPS: 1.8 (2.8 MAX.)
 HZ: 60
 INS.: B
 AMB.: 60 °C
 DUTY: AIR OVER
 CAP: 7.5 MFD/370V
 ENCL: ENCLOSED
 CSA LOGO
 UL LOGO
 THERMALLY PROTECTED

SEE NOTE 1

EXTERNAL CONNECTION DIAGRAM

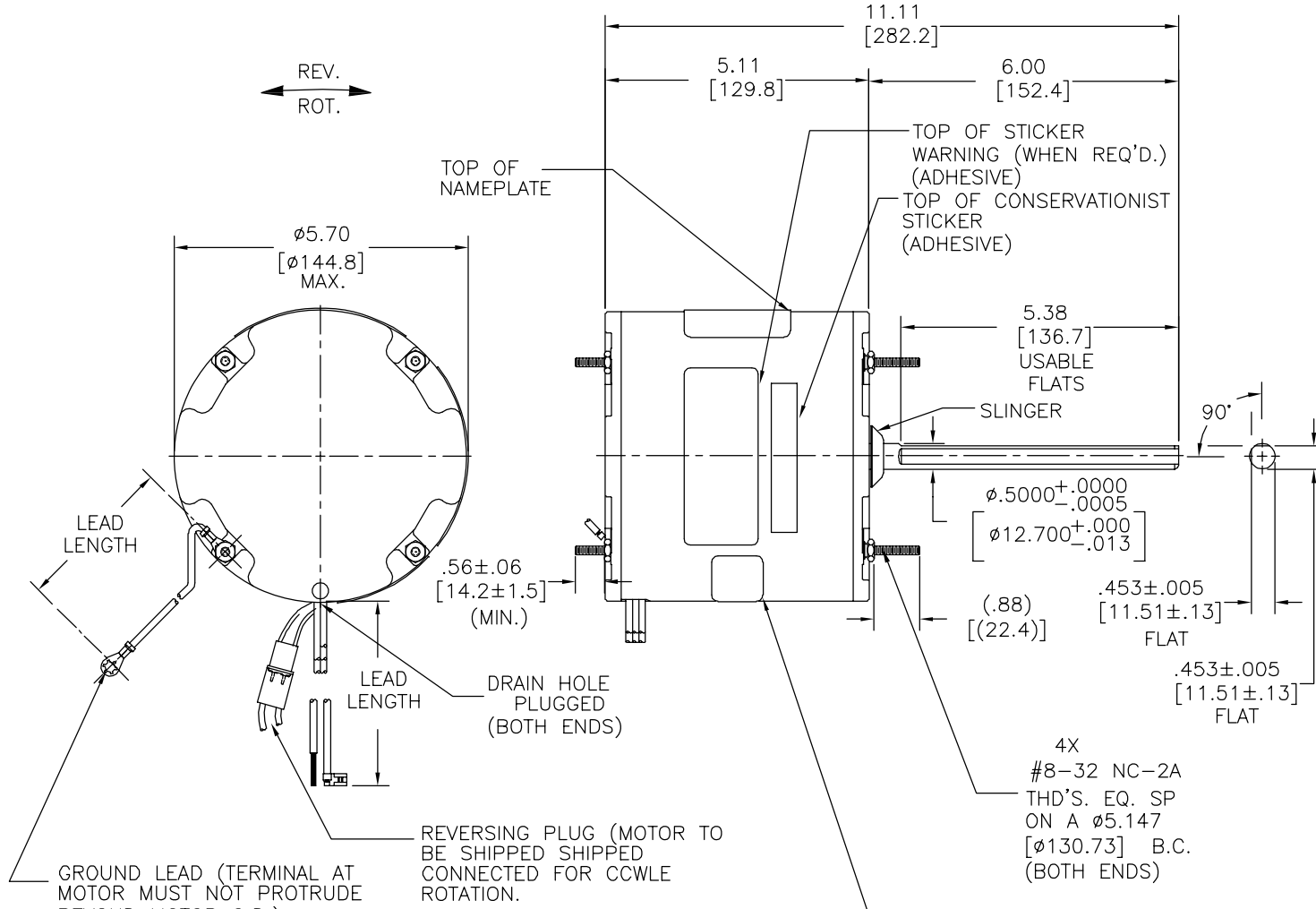


614131-109

PERFORMANCE CURVE NO.	TORQUE @ 1075 RPM (25°C)	APPROVED SAMPLE	UL COMPONENT		CSA	
C23418	39.4 OZ. FT.	EX11197-1	FILE #	CCN #	FILE #	CLASS #
			E46412	PRGY2	LR43341	4211-01

<p>GEOMETRIC CHARACTERISTICS & SYMBOLS</p> <ul style="list-style-type: none"> □ FLATNESS — STRAIGHTNESS ∠ ANGULARITY ⊥ PERPENDICULARITY (SQUARENESS) // PARALLELISM ○ ROUNDNESS (CIRCULARITY) ⊘ CYLINDRICITY △ PROFILE OF ANY SURFACE ∇ PROFILE OF ANY LINE ↗ RUNOUT ⊕ TRUE POSITION ◎ CONCENTRICITY ≡ SYMMETRY <p>ASME Y14.5M 1994</p>	<p>REGAL-BELOIT CORPORATION (RBC) PROVIDES TECHNICAL ASSISTANCE TO OUR CUSTOMERS IN SEVERAL AREAS. SINCE RBC DOES NOT RECEIVE ALL DATA CONCERNING THE USE AND APPLICATION OF THE MOTOR, THE SUITABILITY OF THE MOTOR FOR THE APPLICATION MUST BE DETERMINED BY THE CUSTOMER.</p> <p>DIMENSIONS WITHOUT TOLERANCES ARE FOR REFERENCE ONLY.</p>
---	---

BLACK/WHITE	3.0/5.0 [76/127]	REVERSING PLUG
GREEN (GRD)	12.0/13.0 [305/330]	#10 EYELET
BROWN/WHITE	26.0/28.0 [660/711]	.25 [6.4] FLAG
BROWN	26.0/28.0 [660/711]	.25 [6.4] FLAG
YELLOW	26.0/28.0 [660/711]	.50 [12.7] SKIN
BLACK	26.0/28.0 [660/711]	.50 [12.7] SKIN
RED	26.0/28.0 [660/711]	.50 [12.7] SKIN
COLOR	LENGTH	TERMINAL OR STRIP LENGTH



NOTE:
 1. DISTRIBUTION PART NUMBER: FE1036
 GRAINGER PART NUMBER: 4MB43

MAIN FRAME - OLE	ENCLOSED
END FRAME - OLE	ENCLOSED
MAIN FRAME - LE	ENCLOSED
END FRAME - LE	ENCLOSED

CUST.	DISTRIBUTION SERVICE
-------	----------------------

DR BY: DZ	02-21-2011		DESCRIPTION MODEL-RFHP-48FR OUTLINE
APPD: DZ	02-21-2011		
THIRD ANGLE PROJECTION	EDS DATE 11-11-2011 FORMAT REV G	SIZE C	DWG NO F48A04A01
CONFIDENTIAL: THIS DRAWING AND ITS INFORMATION ARE THE EXCLUSIVE AND CONFIDENTIAL PROPERTY OF REGAL-BELOIT CORPORATION AND ARE NOT TO BE DISCLOSED, DUPLICATED, DISTRIBUTED OR OTHERWISE USED WITHOUT THE WRITTEN CONSENT OF REGAL-BELOIT CORPORATION. -ALL RIGHTS RESERVED.		SCALE NONE	SHEET 1

4

3

2

1

4

3

2

1

REVISION:	ECO	REVISADO POR:	FECHA:	APROBADO POR:	FECHA:
B	0025547	I.MATA	04-30-2012	R.RASCON	04-30-2012

INFORMACION GENERAL:

OSCILACION DE FLECHA: .001 [.03] L.T.I. LONGITUD DE EXTENSION POR PULGADA

BALEROS: BOLA

POSICION DE MONTAJE: TODO EL ANGULO

DATOS ELECTRICOS:

SOBRECARGA DEL PROTECTOR: REINICIO AUTOMATICO (T.I. 7AM 036)

CABLES DE LINEA: NO. 18 GA., .06 [.15] DE ESPESOR EPDM 125°C AISLANTE

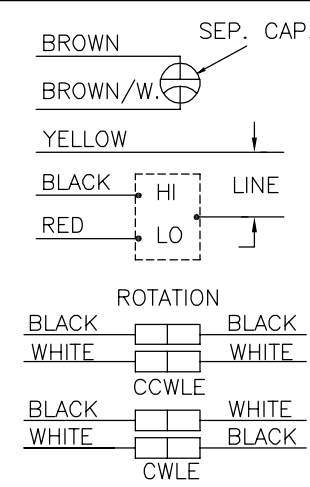
TAPON DE INVERSION: NO. 18 GA., .03 [.8] ESPESOR XLP 125°C AISLANTE

CABLE DE TIERRA: NO. 18 GA., .03 [.8] ESPESOR (VERDE) AISLANTE

DATOS DE PLACA DE DATOS:

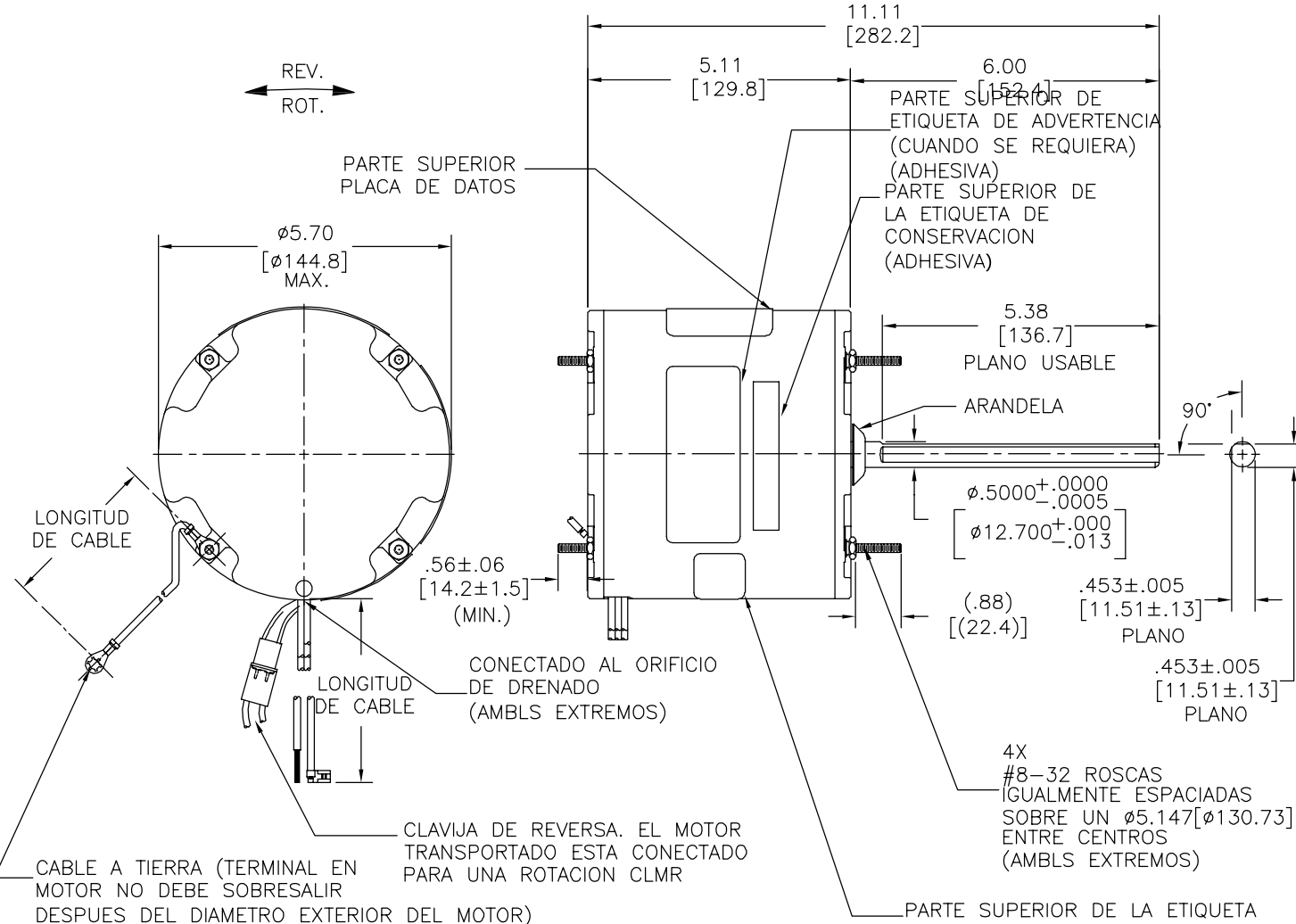
MODEL NO.: F48A04A01
 CUST. P/N: []
 HP: 1/3
 ROT.: REVERSIBLE
 RPM: 1075/2 SPD
 TYPE: UF
 FRAME: 48Y
 VOLTS: 208-230
 PH: 1
 AMPS: 1.8 (2.8 MAX.)
 HZ: 60
 INS.: B
 AMB.: 60 °C
 DUTY: AIR OVER
 CAP: 7.5 MFD/370V
 ENCL: ENCLOSED
 CSA LOGO
 UL LOGO
 THERMALLY PROTECTED

DIAGRAMA DE CONEXION EXTERNA



614131-109

CURVAS DE FUNCIONAMIENTO	TORSION @1075 RPM (25°C)	MUESTRA APROVADA	COMPONENTE UL	CSA
C23418	39.4 OZ. PIES	EX11197-1	#ARCHIVO CCN #	#ARCHIVO #CASE#
			E46412 PRGY2	LR43341 4211-01



NEGRO/BLANCO	3.0/5.0 [76/127]	INBERSION DE ENCHUFE
VERDE (TIERRA)	12.0/13.0 [305/330]	OJAL #10
CAFE/BLANCO	26.0/28.0 [660/711]	.25 [6.4] BANDERA
CAFE	26.0/28.0 [660/711]	.25 [6.4] BANDERA
AMARILLO	26.0/28.0 [660/711]	.50 [12.7] FORRO
NEGRO	26.0/28.0 [660/711]	.50 [12.7] FORRO
ROJO	26.0/28.0 [660/711]	.50 [12.7] FORRO
COLOR	LONGITUD	TERMINAL O LONGITUD DE DESFORRE

CUERPO PPAL.-OLE	CERRADO
TAPA FINAL - OLE	CERRADO CON ORIFICIO DE DRENADO
CUERPO PPAL.-OLE	CERRADO
TAPA FINAL - OLE	CERRADO CON ORIFICIO DE DRENADO

CLIENTE	DISTRIBUTION SERVICE
---------	----------------------

NOTA:
 1. DISTRIBUCION: CLIENTE N/P: FE1036
 GRAINGER: CLIENTE N/P: 4M B43

CARACTERISTICAS DE GEOMETRIA Y SIMBOLOS
 □ PLANICIDAD
 — RECTITUD
 < ANGULARIDAD
 ⊥ PERPENDICULARIDAD (A ESCUADRA)
 // PARALELISMO
 ○ REDONDEZ (CIRCULARIDAD)
 ∅ CILINDRICIDAD
 △ PERFIL DE CUALQUIER SUPERFICIE
 ∇ PERFIL DE CUALQUIER LINEA
 ↗ VARIACION
 ⊕ POSICION REAL
 ⊙ CONCENTRICIDAD
 = SIMETRIA

REGAL-BELOIT CORPORATION (RBC) PROVEE ASISTENCIA TECNICA A NUESTROS CLIENTES EN VARIAS AREAS. DESDE QUE RBC NO RECIBE TODOS LOS DATOS EN RELACION AL USO Y A LA APLICACION DEL MOTOR, LA APLICACION ADECUADA DEL MOTOR DEBE SER DETERMINADA POR EL CLIENTE.

DIMENSIONES SIN TOLERANCIA SON DE REFERENCIA SOLAMENTE

DIBUJADO POR: DZ 02-21-2011
 APROBADO POR: DZ 02-21-2011
 TERCER ANGULO DE PROYECCION
 FECHA EDS: 11-11-2011
 REV. FORMATO: G
 CONFIDENCIAL: ESTE DIBUJO Y SU INFORMACION SON PROPIEDAD DE USO EXCLUSIVO Y CONFIDENCIAL DE REGAL-BELOIT CORPORATION. Y NO DEBERAN SER REVELADOS, DUPLICADOS, DISTRIBUIDOS O USARSE DE OTRA MANERA SIN EL CONSENTIMIENTO ESCRITO DE REGAL-BELOIT CORPORATION. -TODOS LOS DERECHOS RESERVADOS.

DESCRIPCION: MODEL-RFHP-48FR OUTLINE
 TAMAÑO: C NUMERO DE DIBUJO: F48A04A01
 ESCALA: NONE HOJA: 1

4

3

2

1

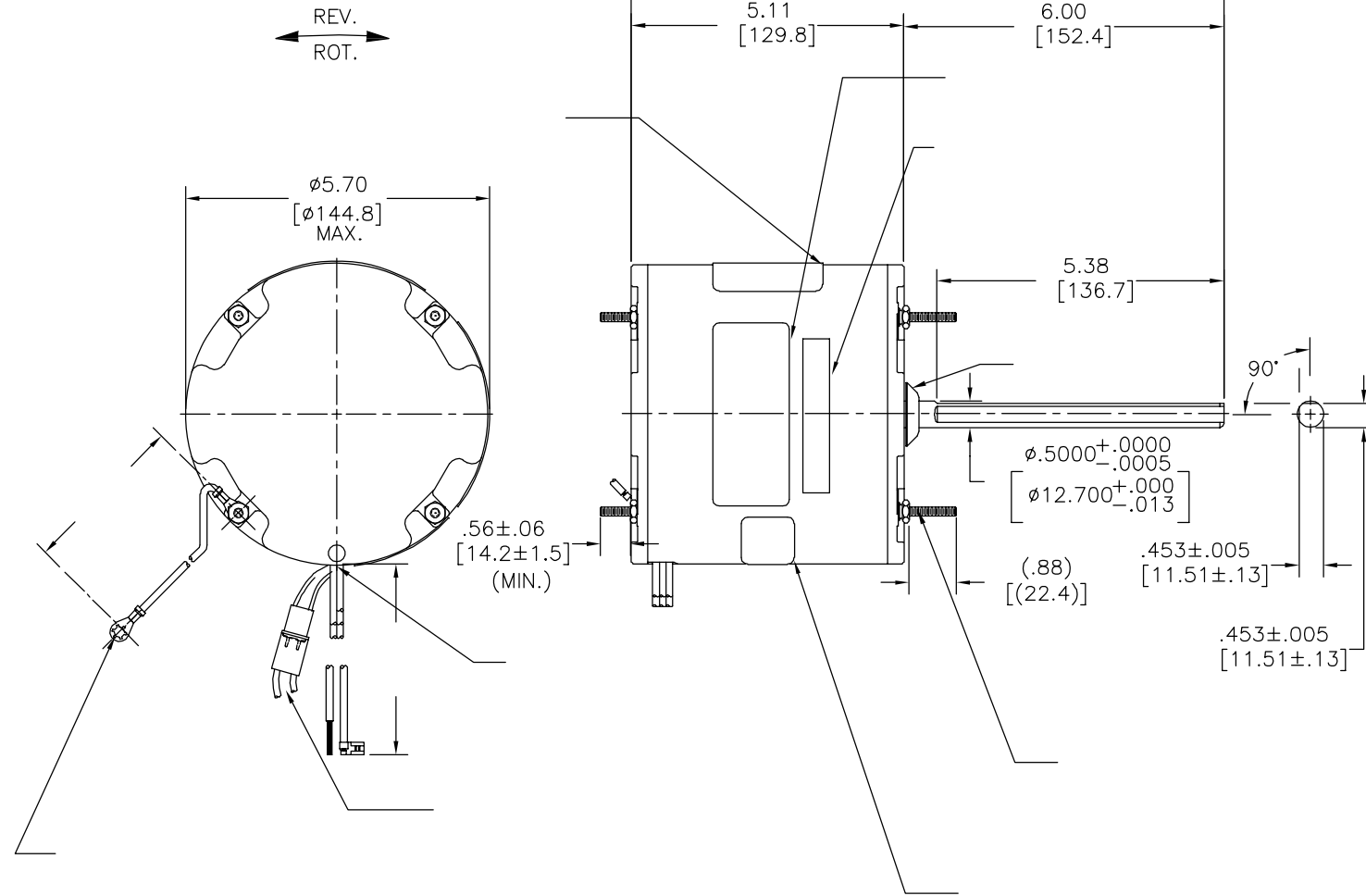
4

3

2

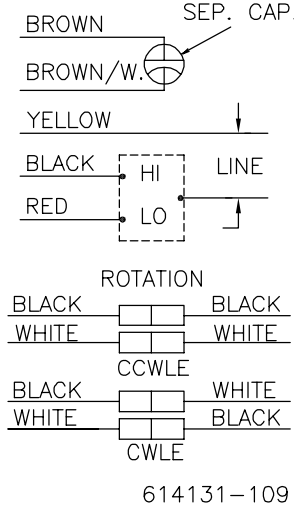
1

版本	ECO	编制	日期	批准	日期
B	0025547	I.MATA	04-30-2012	R.RASCON	04-30-2012



	3.0/5.0	
	[76/127]	
	12.0/13.0	
	[305/330]	
	26.0/28.0	.25 [6.4]
	[660/711]	
	26.0/28.0	.25 [6.4]
	[660/711]	
	26.0/28.0	.50 [12.7]
	[660/711]	
	26.0/28.0	.50 [12.7]
	[660/711]	
	26.0/28.0	.50 [12.7]
	[660/711]	

MODEL NO.: F48A04A01
 CUST. P/N: []
 HP: 1/3
 ROT.: REVERSIBLE
 RPM: 1075/2 SPD
 TYPE: UF
 FRAME: 48Y
 VOLTS: 208-230
 PH: 1
 AMPS: 1.8 (2.8 MAX.)
 HZ: 60
 INS.: B
 AMB.: 60 °C
 DUTY: AIR OVER
 CAP: 7.5 MFD/370V
 ENCL: ENCLOSED
 CSA LOGO
 UL LOGO
 THERMALLY PROTECTED



614131-109

		CSA	
FILE #	CCN #	FILE #	CLASS #
C23418	39.4 OZ. FT.	EX11197-1	E46412 PRGY2 LR43341 4211-01

- 形位公差
- 平面度
- 直线度
- ∠ 倾斜度
- ⊥ 垂直度
- // 平行度
- 圆度
- ⊘ 圆柱度
- △ 面轮廓度
- ∩ 线轮廓度
- ↗ 圆跳动
- ⊕ 位置度
- ⊙ 同轴度
- ≡ 对称度

ASME Y14.5M 1994

REGAL-BELOIT CORPORATION (RBC) 在个别领域为客户提供技术支持。鉴于RBC未收到任何涉及电机使用和应用环境的数据，电机的适用性由客户自己决定。

未注公差尺寸仅供参考。

绘图:	DZ	02-21-2011
批准:	DZ	02-21-2011
第三角投影		图纸格式发布日期 11-11-2011 图纸格式版本 G
机密: 本图纸及相关信息所有权归REGAL-BELOIT CORPORATION。未经REGAL-BELOIT CORPORATION书面授权, 不得泄露、复制、传播或作其他用途。—版权所有		



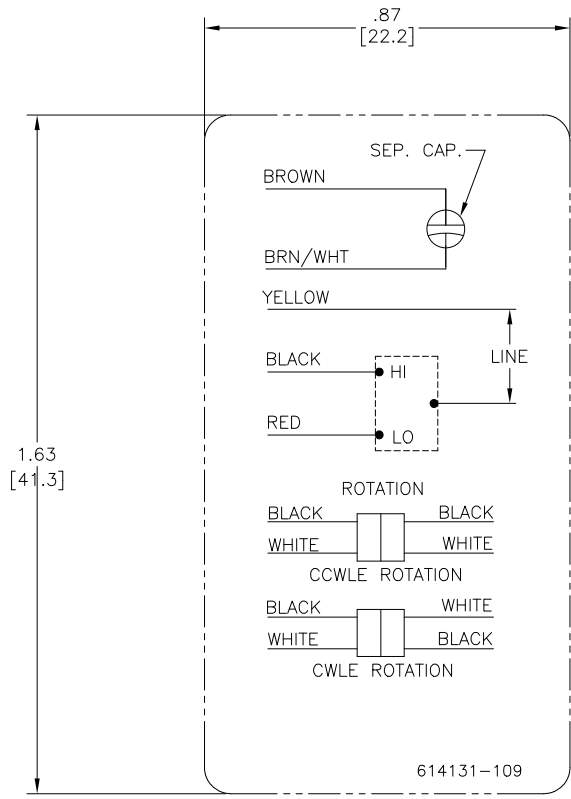
名称	MODEL-RFHP-48FR OUTLINE	
图幅	C	图号 F48A04A01
比例	NONE	页号 1

4

3

2

1



NOTES:

1. FOR USE WITH 614129 NAMEPLATE BLANK
2. - - - - - INDICATES DIMENSION LIMITS
3. DIE TO BE MADE FROM MASTER SUPPLIED BY A. O. SMITH CORPORATION
4. DIE MUST PRODUCE A LEGIBLE IMPRESSION.

DRAWING REVISION C		REVISION BY J. RUPERT	DATE 08-24-2021	TOLERANCES UNLESS OTHERWISE SPECIFIED		DRAWN BY: CZ							
ECO NMR-0210151		APPROVED BY J. RUPERT	DATE 08-24-2021	DEC.	INCH	mm	ANGLE			DATE: 11-20-2009			
ECO DESCRIPTION REVISED FOR UP ISSUE				.X	±0.1	[±2.5]	±0.5°	APPROVED BY: TR	DESCRIPTION CONN DIAGRAM-NAMEPLATE				
<small> COPYRIGHT REGAL BELOIT AMERICA, INC. ALL RIGHTS RESERVED. PROPRIETARY AND CONFIDENTIAL INFORMATION - THIS DOCUMENT IS THE PROPERTY OF REGAL BELOIT AMERICA, INC. (OWNER) AND CONTAINS OWNER'S PROPRIETARY INFORMATION. ANY PERSON, CORPORATION OR OTHER ENTITY, DUPLICATING AND/OR USING, EXCEPT BY RECEIVING IT, TO AGREE THAT IT, AND/OR ANY PART OF IT, SHALL NOT BE DISCLOSED TO ANY PERSON, CORPORATION OR OTHER ENTITY, DUPLICATED, AND/OR USED, EXCEPT AS EXPRESSLY APPROVED IN WRITING IN ADVANCE BY OWNER. THIS DOCUMENT SHALL BE RETURNED TO OWNER UPON REQUEST. IT MAY BE SUBJECT TO CERTAIN RESTRICTIONS UNDER APPLICABLE EXPORT CONTROL LAWS AND REGULATIONS. </small>				.XX	±0.02	[±0.51]		DATE: 11-20-2009*	REFERENCE	MATERIAL	PROCESS/FINISH		
				.XXX	±0.005	[±0.127]				THIRD ANGLE PROJECTION	SIZE	DWG NO	SHEET
				.XXXX	±0.0005	[±0.0127]					C	614131-109	1
				REMOVE BURRS & BREAK SHARP EDGES .003/.015 [0.076/.381] X 45°		CORNER FILLETS R.02 [5.1]		MACHINED SURFACES		125			
				mm SHOWN IN [BRACKETS]									