

# PRODUCT INFORMATION PACKET



Model No: FE1026SU

Catalog No: FE1026SU

HEATMASTER® ULTRA Condenser Fan Motor, 1/4 HP, 1 Ph, 60 Hz, 208-230 V, 1075 RPM, 1 Speed, 48 Frame, TEAO

**Operational at 208-230 V @60HZ**



Regal and Century are trademarks of Regal Rexnord Corporation or one of its affiliated companies.

©2023 Regal Rexnord Corporation, All Rights Reserved. MC017097E





### Nameplate Specifications

Phase	1	Output HP	1/4 Hp
Output KW	0.19 kW	Voltage	208-230 V
Speed	1075 rpm	Service Factor	1.0
Frame	48	Enclosure	Totally Enclosed Air Over
Thermal Protection	Automatic	Ambient Temperature	80 °C
Frequency	60 Hz	Current	2.0 A
Duty	Air Over	Insulation Class	F
UL	Recognized	CSA	Y
CE	N	Number of Speeds	1

### Technical Specifications

Electrical Type	Permanent Split Capacitor	Starting Method	Across The Line
Poles	6	Rotation	Reversible
Mounting	Extended Studs	Motor Orientation	Any
Drive End Bearing	Ball	Opp Drive End Bearing	Ball
Frame Material	Rolled Steel	Shaft Type	Double Flat
Overall Length	11.74 in	Frame Length	3.75 in
Shaft Diameter	0.500 in	Shaft Extension	6.5 in
Outline Drawing	FE1026SU_FA	Connection Drawing	614131-242

This is an uncontrolled document once printed or downloaded and is subject to change without notice. Date Created:11/01/2023

GENERAL INFORMATION:

SHAFT RUNOUT: .001 [.03] T.I.R. PER INCH LENGTH OF EXTENSION

BEARINGS: BALL

MOUNTING POSITION: ALL ANGLE

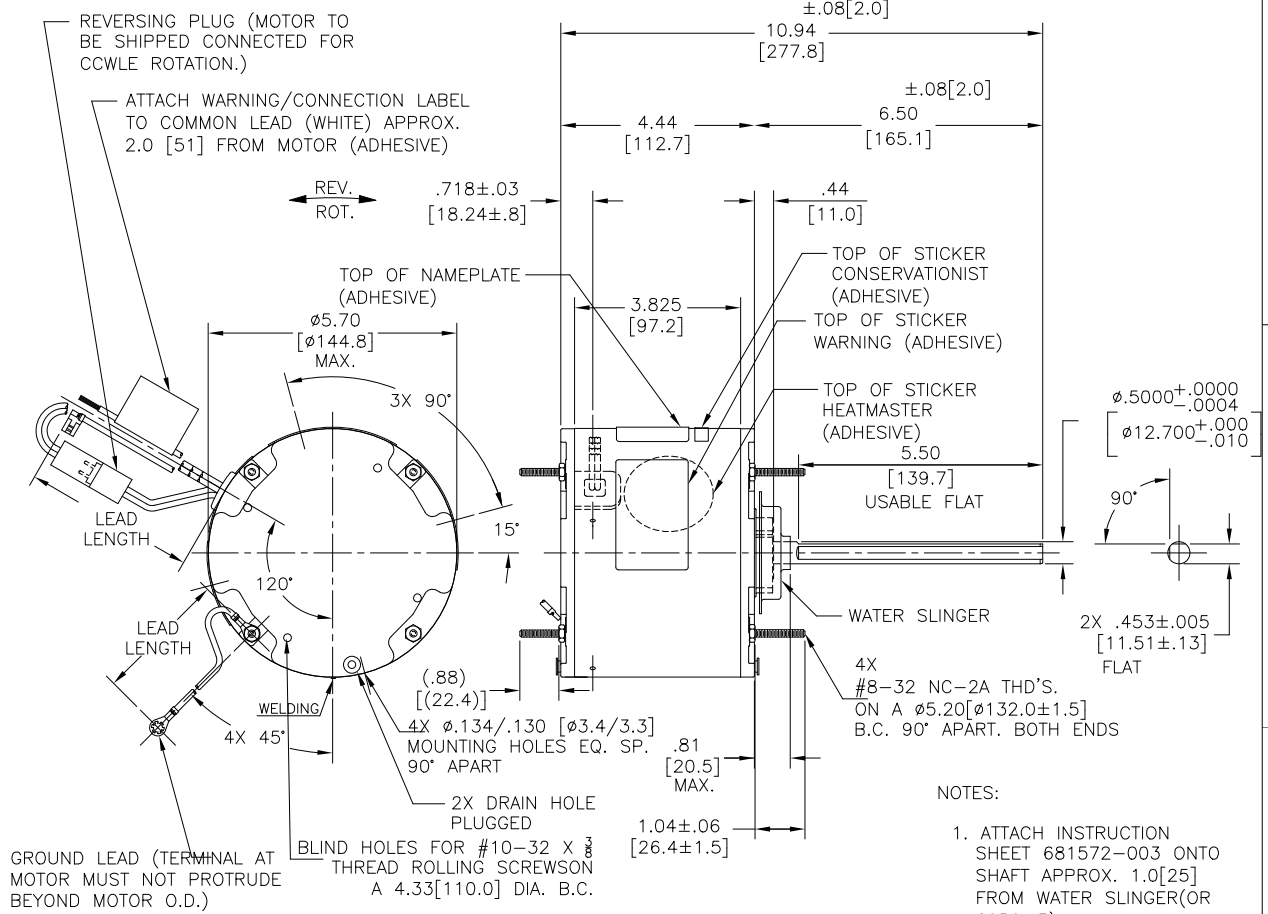
ELECTRICAL DATA:

OVERLOAD PROTECTOR: AUTOMATIC RESET (T.I. 7AM 304)

LINE LEADS: NO. 18 GA., .06 [1.5] THK. XLP 125°C INSUL.

REVERSING PLUGS: NO. 18 GA., .03 [.8] THK. XLP 125°C INSUL.

GROUND LEAD: NO. 18 GA., .03 [.8] THK. (GREEN) INSUL.



- NOTES:
1. ATTACH INSTRUCTION SHEET 681572-003 ONTO SHAFT APPROX. 1.0[25] FROM WATER SLINGER(OR 69P9-3)
  2. (4)SCREWS N194P1504B9 & (4) EXTRA HEX NUTS N238P15B9 & 4x SCREW 13833003 TO BE PUT IN A POLYBAG.
  3. ALL LABEL READ FROM LE
  4. SPRING SHIM IN OLE SIDE

REGAL-BELOIT CORPORATION (RBC) PROVIDES TECHNICAL ASSISTANCE TO OUR CUSTOMERS IN SEVERAL AREAS. SINCE RBC DOES NOT RECEIVE ALL DATA CONCERNING THE USE AND APPLICATION OF THE MOTOR, THE SUITABILITY OF THE MOTOR FOR THE APPLICATION MUST BE DETERMINED BY THE CUSTOMER.

DIMENSIONS WITHOUT TOLERANCES ARE FOR REFERENCE ONLY.

MAIN FRAME - OLE	ENCLOSED
END FRAME - OLE	ENCLOSED
MAIN FRAME - LE	ENCLOSED
END FRAME - LE	ENCLOSED

GREEN (GROUND)	12.0/13.0 [305/330]	#10 EYELET
BLACK/WHITE	3.0/5.0 [76/127]	REVERSING PLUG
BROWN	48.0/51.0 [1219/1295]	.25 [6.4] FLAG
BROWN/WHITE	48.0/51.0 [1219/1295]	.25 [6.4] FLAG
WHITE	48.0/51.0 [1219/1295]	.50 [12.7] SKIN
BLACK	48.0/51.0 [1219/1295]	.50 [12.7] SKIN
COLOR	LENGTH	TERMINAL OR STRIP LENGTH

REF. FE1026SF NAMEPLATE DATA:

MODEL NO.: 5KCP39HGDD934S  
 CUST. P/N: FE1026SU  
 HP: 1/4  
 ROT.: REVERSIBLE  
 RPM: 1075  
 TYPE: UF  
 FRAME: 48  
 VOLTS: 208-230  
 PH: 1  
 AMPS: 2.0  
 HZ: 60  
 INS.: F  
 AMB.: 80°C  
 DUTY: AIR OVER  
 CAP.: 5 MFD/370 V  
 THERMALLY PROTECTED

EXTERNAL CONNECTION DIAGRAM

SEP. CAP.

BROWN

BRN/WHT

WHITE

BLACK

ROTATION

BLACK BLACK

WHITE WHITE

CCWLE

BLACK WHITE

WHITE BLACK

CWLE

LINE

614131-242

REGAL BELLOIT CORPORATION  
 E27885  
 MADE IN INDIA

LEAD DATA

DRAWING REVISION	REVISION BY	DATE
A	MG	29.05.23
ECO	APPROVED BY	DATE
NMR-0224614	LS	29.05.23
ECO DESCRIPTION		
NEW DRAWING		

ENCLOSURE

DRAWN BY:	DATE:
MK	29.05.23
APPROVED BY:	DATE:
LS	29.05.23
REFERENCE:	MATERIAL:
THIRD ANGLE PROJECTION	SIZE DWG NO
C	FE1026SU_FA

CUSTOMER DISTRIBUTION SERVICE

Regal Beloit America, Inc.

MODEL-RFHP-48FR OUTLINE


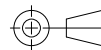
PROCESS/FINISH

SHEET 1



NOTES:

1. FOR USE WITH 614129 NAMEPLATE BLANK
2. — — — — — INDICATES DIMENSION LIMITS
3. DIE TO BE MADE FROM MASTER SUPPLIED BY REGAL REXNORD CORPORATION
4. DIE MUST PRODUCE A LEGIBLE IMPRESSION.

DRAWING REVISION H		REVISION BY J. RUPERT	DATE 03-16-2022	TOLERANCES UNLESS OTHERWISE SPECIFIED DEC. INCH mm ANGLE .X ±0.1 [±2.5] ±0.5° .XX ±0.02 [±0.51] .XXX ±0.005 [±0.127] .XXXX ±0.0005 [±0.0127] REMOVE BURRS & BREAK SHARP EDGES .003/.015 [0.076/.381] X 45° CORNER FILLETS R.02 [.51] MACHINED SURFACES INCH 125/mm 3.2 mm SHOWN IN [BRACKETS]	DRAWN BY: YL	 <b>Regal Beloit America, Inc.</b>
ECO NMR-0213140		APPROVED BY J. RUPERT	DATE 03-16-2022		DATE: 04-15-2011	
ECO DESCRIPTION REVISED FOR UP ISSUED					APPROVED BY: HZ	DESCRIPTION CONNECTION DIAGRAM EXTERNAL
<small>COPYRIGHT REGAL BELOIT AMERICA, INC. ALL RIGHTS RESERVED. PROPRIETARY AND CONFIDENTIAL INFORMATION - THIS DOCUMENT IS THE PROPERTY OF REGAL BELOIT AMERICA, INC. ("OWNER") AND CONTAINS OWNER'S PROPRIETARY INFORMATION. ANY PERSON, CORPORATION OR OTHER FIRM RECEIVING IT IS DEEMED, BY RECEIVING IT, TO AGREE THAT IT, AND/OR ANY PART OF IT, SHALL NOT BE DISCLOSED TO ANY PERSON, CORPORATION OR OTHER ENTITY, DUPLICATED, AND/OR USED, EXCEPT AS EXPRESSLY APPROVED IN WRITING IN ADVANCE BY OWNER. THIS DOCUMENT SHALL BE RETURNED TO OWNER UPON REQUEST. IT MAY BE SUBJECT TO CERTAIN RESTRICTIONS UNDER APPLICABLE EXPORT CONTROL LAWS AND REGULATIONS.</small>					DATE: 04-15-2011	
				REFERENCE	MATERIAL	PROCESS/FINISH
				THIRD ANGLE PROJECTION 	SIZE DWG NO A 4 of 4	SHEET 1
					614131-242	