

PRODUCT INFORMATION PACKET



Model No: FDL1056

Catalog No: FDL1056

Fan and Blower Motor, 1/2 HP, 1 Ph, 60 Hz, 115 V, 1075 RPM, 3 Speed, 48 Frame, OAO



Regal and Century are trademarks of Regal Rexnord Corporation or one of its affiliated companies.
©2022 Regal Rexnord Corporation, All Rights Reserved. MC017097E





Nameplate Specifications

| | | | |
|---------------------|---------------|--------------------|------------|
| Output HP | 1/2 Hp | Output KW | 0.37 kW |
| Frequency | 60 Hz | Voltage | 115 V |
| Current | 5.6 A | Speed | 1075 rpm |
| Service Factor | 1 | Phase | 1 |
| Efficiency | 65 % | Duty | Air Over |
| Insulation Class | A | Frame | 48Y |
| Enclosure | Open Air Over | Thermal Protection | Automatic |
| Ambient Temperature | 50 °C | UL | Recognized |
| CSA | Y | CE | N |
| Number of Speeds | 3 | | |

Technical Specifications

| | | | |
|--------------------|---------------------------|-----------------------|-----------------|
| Electrical Type | Permanent Split Capacitor | Starting Method | Across The Line |
| Poles | 6 | Rotation | Reversible |
| Mounting | Resilient Rings | Motor Orientation | Horizontal |
| Drive End Bearing | Ball | Opp Drive End Bearing | Ball |
| Frame Material | Rolled Steel | Shaft Type | Flat |
| Overall Length | 12.05 in | Frame Length | 4.50 in |
| Shaft Diameter | 0.500 in | Shaft Extension | 6.5 in |
| Connection Drawing | 614131-111 | Outline Drawing | FDL1056_FA |

This is an uncontrolled document once printed or downloaded and is subject to change without notice. Date Created:11/29/2022

| REV | ECCO | REV BY | DATE | APPD | DATE |
|-----|---|--------|----------|------|----------|
| E | ECR-0216351 CONSERVATIONIST LABEL REMOVED | MG | 15-04-22 | LS | 15-04-22 |

GENERAL INFORMATION:

SHAFT RUNOUT: .001[.03] T.I.R. PER INCH LENGTH OF EXTENSION.

BEARINGS: BALL

MOUNTING POSITION: HORIZONTAL

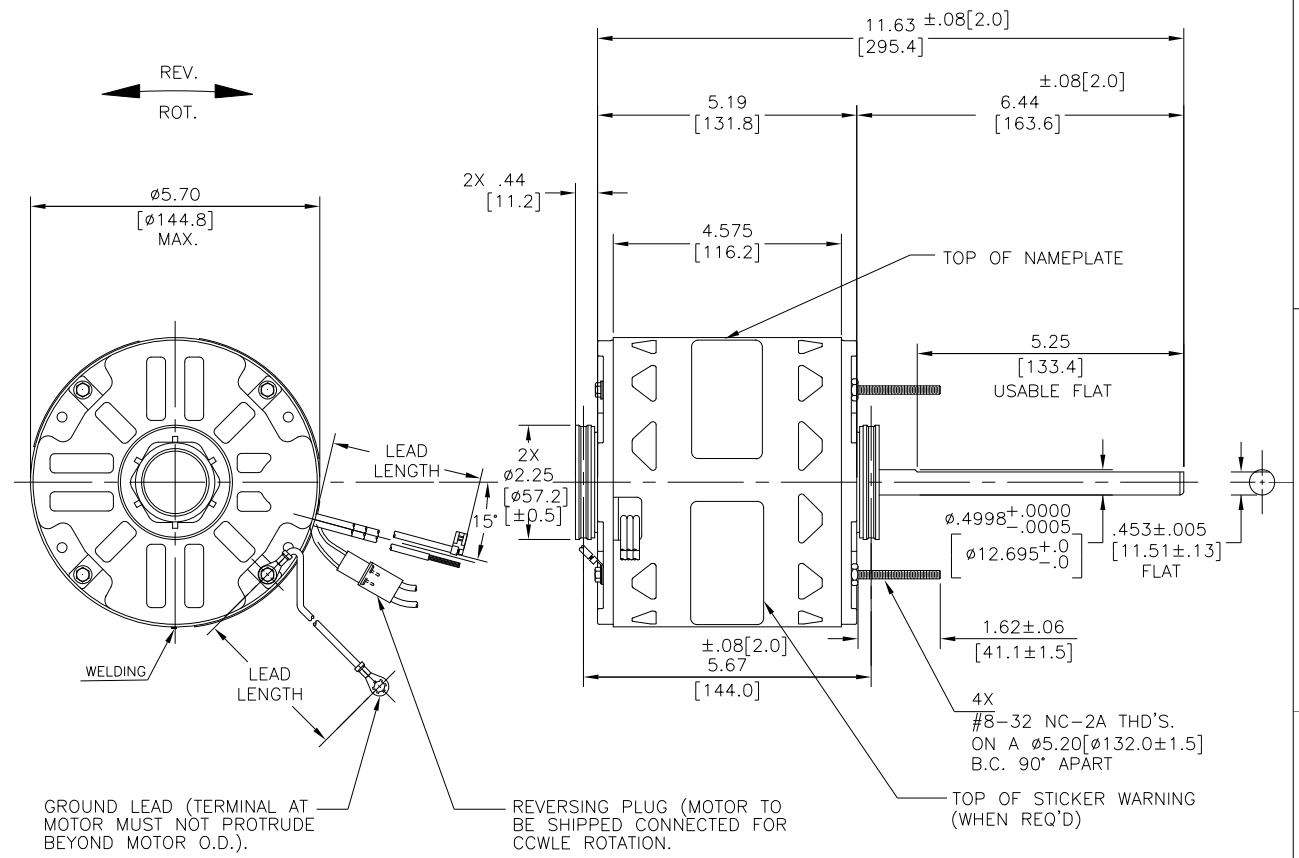
ELECTRICAL DATA:

OVERLOAD PROTECTOR: AUTOMATIC RESET (T.I. 7AM 032)

LEADS: NO. 18 GA., .03[.8] THK. 125°C INSUL.

REVERSING LEADS: NO. 18 GA., .03[.8] THK. 125°C INSUL.

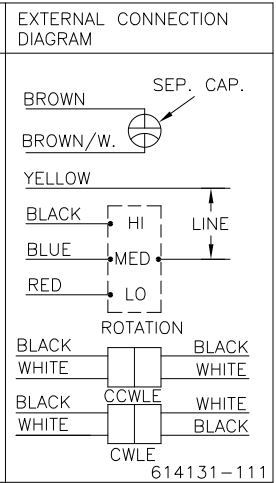
GROUND LEAD: NO. 18 GA., .03[.8] THK., (GREEN) INSUL.



SAMPLE SM19-505
NAMEPLATE DATA:

MODEL: 5KCP39NGDD708S
CUST. P/N: FDL1056
HP: 1/2
ROT.: REVERSIBLE
RPM: 1075/3 SPD.
TYPE: UF
FRAME: 48Y
VOLTS: 115
PH: 1
AMPS: 7.4
HZ: 60
INS.: B
AMB: 50 °C
DUTY: AIR OVER
CAP.: 10 MFD/370 V
THERMALLY PROTECTED

REGAL
E27885
MADE IN INDIA



GROUND LEAD (TERMINAL AT MOTOR MUST NOT PROTRUDE BEYOND MOTOR O.D.).

REVERSING PLUG (MOTOR TO BE SHIPPED CONNECTED FOR CCWLE ROTATION).

| COLOR | LENGTH | TERMINAL OR STRIP LENGTH |
|-------------|---------------------|--------------------------|
| GREEN (GRD) | 12.0/13.0 [305/330] | #10 EYELET |
| BLACK/WHITE | 3.0/5.0 [76/127] | REVERSING PLUG |
| BROWN | 26.0/28.0 [660/711] | .25[6.4] FLAG |
| BROWN/WHITE | 26.0/28.0 [660/711] | .25[6.4] FLAG |
| YELLOW | 26.0/28.0 [660/711] | .50[12.7] SKIN |
| BLACK | 26.0/28.0 [660/711] | .50[12.7] SKIN |
| BLUE | 26.0/28.0 [660/711] | .50[12.7] SKIN |
| RED | 26.0/28.0 [660/711] | .50[12.7] SKIN |

- NOTE:
1. SNAP RINGS 615035 (4 REQ'D) TO BE PACKED WITH EACH MOTOR.
 2. DISTRIBUTION: CUST. P/N: FDL1056 GRAINGER: CUST. P/N: 4MA70
 3. ALL LABEL READ FROM LE.
 4. SPRING SHIM/THRUST WASHER IN OLE SIDE.

| | |
|--------------|------|
| MAIN FR.-OLE | OPEN |
| END FR.-OLE | OPEN |
| MAIN FR.-LE | OPEN |
| END FR.-LE | OPEN |

| | |
|-------|----------------------|
| CUST. | DISTRIBUTION SERVICE |
|-------|----------------------|

GEOMETRIC CHARACTERISTICS & SYMBOLS

- FLATNESS
- STRAIGHTNESS
- ∠ ANGULARITY
- ⊥ PERPENDICULARITY (SQUARENESS)
- ∥ PARALLELISM
- ROUNDNESS (CIRCULARITY)
- ⊙ CYLINDRICITY
- PROFILE OF ANY SURFACE
- PROFILE OF ANY LINE
- ∩ RUNOUT
- ⊕ TRUE POSITION
- ⊙ CONCENTRICITY
- ≡ SYMMETRY

ASME Y14.5M 1994

REGAL-BELOIT CORPORATION (RBC) PROVIDES TECHNICAL ASSISTANCE TO OUR CUSTOMERS IN SEVERAL AREAS. SINCE RBC DOES NOT RECEIVE ALL DATA CONCERNING THE USE AND APPLICATION OF THE MOTOR, THE SUITABILITY OF THE MOTOR FOR THE APPLICATION MUST BE DETERMINED BY THE CUSTOMER.

DIMENSIONS WITHOUT TOLERANCES ARE FOR REFERENCE ONLY.

DR BY: MK 21.01.20
APPD: .LS .21.01.20
THIRD ANGLE PROJECTION

EDS DATE
FORMAT REV G

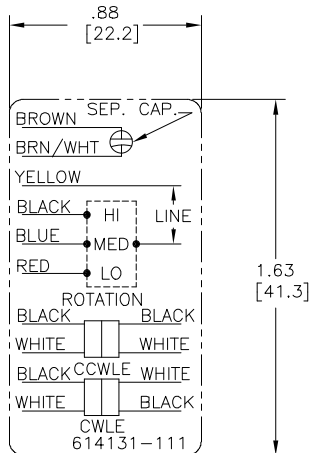
CONFIDENTIAL: THIS DRAWING AND ITS INFORMATION ARE THE EXCLUSIVE AND CONFIDENTIAL PROPERTY OF REGAL-BELOIT CORPORATION AND ARE NOT TO BE DISCLOSED, DUPLICATED, DISTRIBUTED OR OTHERWISE USED WITHOUT THE WRITTEN CONSENT OF REGAL-BELOIT CORPORATION. -ALL RIGHTS RESERVED.

REGAL REGAL-BELOIT CORPORATION

DESCRIPTION: MODEL-RFHP-48FR OUTLINE

SIZE: C DWG NO: FDL1056_FA

SCALE: NONE SHEET: 1



NOTES:

1. FOR USE WITH 614129 NAMEPLATE BLANK
2. ----- INDICATES DIMENSION LIMITS
3. DIE TO BE MADE FROM MASTER SUPPLIED BY A. O. SMITH CORPORATION
4. DIE MUST PRODUCE A LEGIBLE IMPRESSION.

| | | | | | | | | | |
|--|--|-------------|------------|---|---------|------------------------|-------|-----------------------------|--|
| DRAWING REVISION | | REVISION BY | DATE | TOLERANCES UNLESS OTHERWISE SPECIFIED | | DRAWN BY: | | Regal Beloito America, Inc. | |
| D | | J. RUPERT | 04-14-2021 | DEC. | INCH | mm | ANGLE | | |
| ECO | | APPROVED BY | DATE | .X | ±0.1 | [±2.5] | ±0.5° | DATE: | |
| NMR-0208129 | | J. RUPERT | 04-14-2021 | .XX | ±0.02 | [±0.51] | | APPROVED BY: | |
| ECO DESCRIPTION | | | | .XXX | ±0.005 | [±0.127] | | T. RILEY | |
| UP ISSUED | | | | .XXXX | ±0.0005 | [±0.0127] | | DATE: | |
| COPYRIGHT REGAL BELOITO AMERICA, INC. ALL RIGHTS RESERVED. PROPRIETARY AND CONFIDENTIAL INFORMATION - THIS DOCUMENT IS THE PROPERTY OF REGAL BELOITO AMERICA, INC. ("OWNER") AND CONTAINS OWNER'S PROPRIETARY INFORMATION. ANY PERSON, CORPORATION OR OTHER FIRM RECEIVING IT IS DEEMED BY RECEIVING IT, TO AGREE THAT IT, AND/OR ANY PART OF IT, SHALL NOT BE DISCLOSED TO ANY PERSON, CORPORATION OR OTHER ENTITY, DUPLICATED, AND/OR USED, EXCEPT AS EXPRESSLY APPROVED IN WRITING IN ADVANCE BY OWNER. THIS DOCUMENT SHALL BE RETURNED TO OWNER UPON REQUEST. IT MAY BE SUBJECT TO CERTAIN RESTRICTIONS UNDER APPLICABLE EXPORT CONTROL LAWS AND REGULATIONS. | | | | REMOVE BURRS & BREAK SHARP EDGES .003/.015 [076/381] X 45° CORNER FILLETS R.02 [51] MACHINED SURFACES | | REFERENCE | | DESCRIPTION | |
| | | | | 4 of 4 | | mm SHOWN IN [BRACKETS] | | THIRD ANGLE PROJECTION | |
| | | | | | | SIZE DWG NO | | 614131-111 | |
| | | | | | | SHEET | | 1 | |