

PRODUCT INFORMATION PACKET



Model No: FDL1036
Catalog No: FDL1036

Fan and Blower Motor, 1/3 HP, 1 Ph, 60 Hz, 115 V, 1075 RPM, 3 Speed, 48 Frame, OPEN



Regal and Century are trademarks of Regal Rexnord Corporation or one of its affiliated companies.
©2022 Regal Rexnord Corporation, All Rights Reserved. MC017097E





Nameplate Specifications

Output HP	1/3 Hp	Output KW	0.25 kW
Frequency	60 Hz	Voltage	115 V
Current	5.9 A	Speed	1075 rpm
Service Factor	1	Phase	1
Efficiency	58.5 %	Duty	Air Over
Insulation Class	A	Frame	48Y
Enclosure	Open Enclosed	Thermal Protection	Automatic
Ambient Temperature	50 °C	UL	Recognized
CSA	Y	CE	N
Number of Speeds	3		

Technical Specifications

Electrical Type	Permanent Split Capacitor	Starting Method	Across The Line
Poles	6	Rotation	Reversible
Mounting	Resilient Rings	Motor Orientation	Horizontal
Drive End Bearing	Ball	Opp Drive End Bearing	Ball
Frame Material	Rolled Steel	Shaft Type	Flat
Overall Length	11.55 in	Frame Length	4.00 in
Shaft Diameter	0.500 in	Shaft Extension	6.4 in
Outline Drawing	FDL1036_FA	Connection Drawing	614131-111

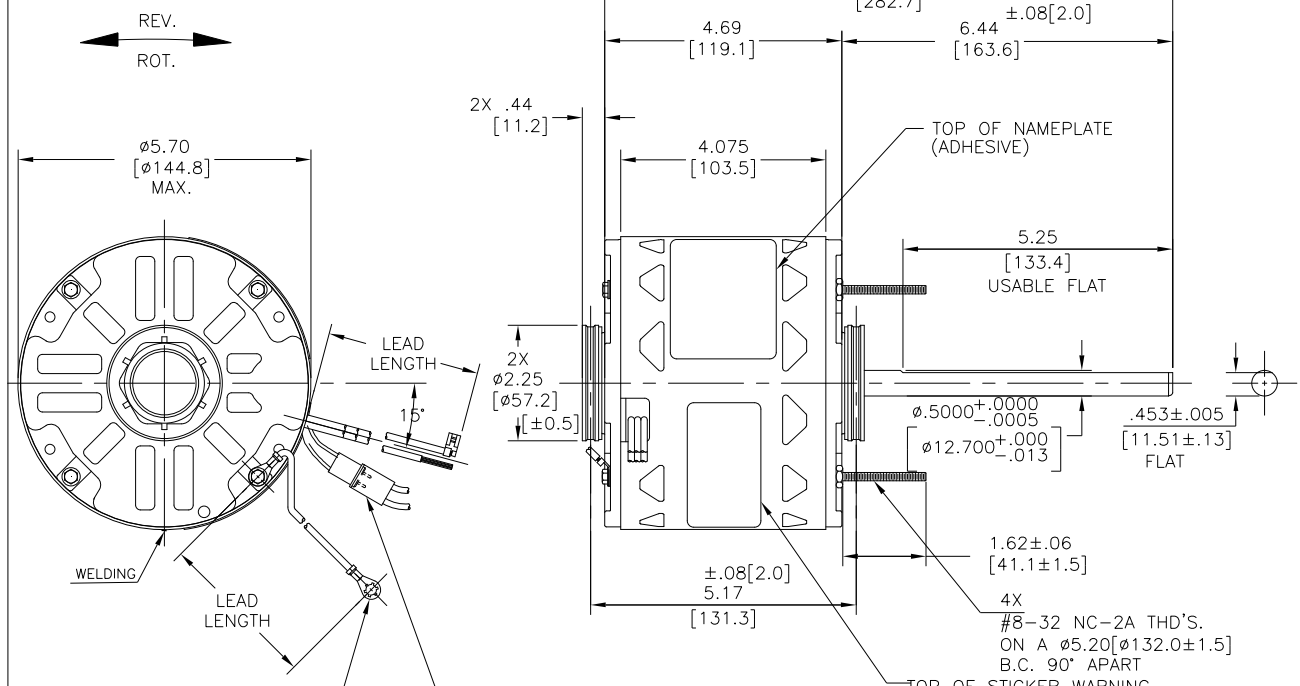
This is an uncontrolled document once printed or downloaded and is subject to change without notice. Date Created:11/28/2022

GENERAL INFORMATION:

SHAFT RUNOUT: .001[.03] T.I.R. PER INCH LENGTH OF EXTENSION.
 BEARINGS: BALL
 MOUNTING POSITION: HORIZONTAL

ELECTRICAL DATA:


OVERLOAD PROTECTOR: AUTOMATIC RESET (SENSATA 7AM 032)
 LEADS: NO. 18 GA., .03[.8] THK. 125°C INSUL.
 REVERSING LEADS: NO. 18 GA., .03[.8] THK. 125°C INSUL.
 GROUND LEAD: NO. 18 GA., .03[.8] THK., (GREEN) INSUL.

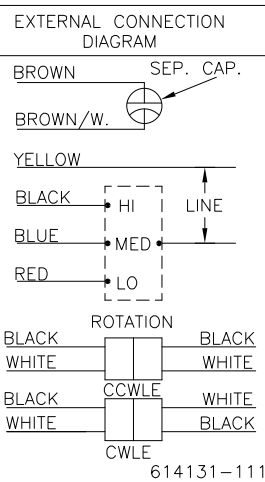


GROUND LEAD (TERMINAL AT MOTOR MUST NOT PROTRUDE BEYOND MOTOR O.D.).

REVERSING PLUG (MOTOR TO BE SHIPPED CONNECTED FOR CCWLE ROTATION.)

- NOTES:
1. SPLIT RINGS ADAPTOR 615035(4REQ'D) TO BE PACKED WITH EACH MOTOR.
 2. ALL LABEL READ FROM LE.
 3. SPRING SHIM/THRUST WASHER IN OLE SIDE.

SAMPLE SM19-497
 NAMEPLATE DATA:
 MODEL: 5KCP39KGDD703S
 CUST. P/N: FDL1036
 HP: 1/3
 ROT.: REVERSIBLE
 RPM: 1075/3 SPD.
 TYPE: UF
 FRAME: 48Y
 VOLTS: 115
 PH: 1
 AMPS: 5.9
 HZ: 60
 INS.: B
 AMB: 50 °C
 DUTY: AIR OVER
 CAP.: 7.5 MFD/370 V
 THERMALLY PROTECTED

 E27885
 MADE IN INDIA



LEAD DATA		
COLOR	LENGTH	TERMINAL OR STRIP LENGTH
RED	26.0/28.0 [660/711]	.50[12.7] SKIN
BLUE	26.0/28.0 [660/711]	.50[12.7] SKIN
BLACK	26.0/28.0 [660/711]	.50[12.7] SKIN
YELLOW	26.0/28.0 [660/711]	.50[12.7] SKIN
BROWN/WHITE	26.0/28.0 [660/711]	.25[6.4] FLAG
BROWN	26.0/28.0 [660/711]	.25[6.4] FLAG
BLACK/WHITE	3.0/5.0 [76/127]	REVERSING PLUG
GREEN(GRD)	12.0/13.0 [305/330]	#10 EYELET

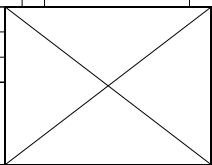
REGAL-BELOIT CORPORATION (RBC) PROVIDES TECHNICAL ASSISTANCE TO OUR CUSTOMERS IN SEVERAL AREAS. SINCE RBC DOES NOT RECEIVE ALL DATA CONCERNING THE USE AND APPLICATION OF THE MOTOR, THE SUITABILITY OF THE MOTOR FOR THE APPLICATION MUST BE DETERMINED BY THE CUSTOMER.

DIMENSIONS WITHOUT TOLERANCES ARE FOR REFERENCE ONLY.


ENCLOSED	
END FR.-LE	OPEN
MAIN FR.-LE	OPEN
END FR.-OLE	OPEN
MAIN FR.-OLE	OPEN

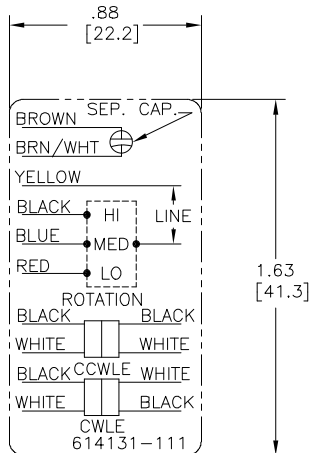
CUST.	DISTRIBUTION SERVICE
-------	----------------------

DRAWING REVISION	REVISION BY	DATE
F	MG	02.08.22
ECO	APPROVED BY	
ECR-0219860	LS	02.08.22
ECO DESCRIPTION		
ENERGY CONSERVATIONIST STICKER IS REMOVED SIDE VIEW		
<small>COPYRIGHT REGAL-BELOIT AMERICA, INC. ALL RIGHTS RESERVED. PROPRIETARY AND CONFIDENTIAL INFORMATION - THIS DOCUMENT IS THE PROPERTY OF REGAL-BELOIT AMERICA, INC. (OWNER) AND CONTAINS OWNER'S PROPRIETARY INFORMATION. ANY PERSON, CORPORATION OR OTHER ENTITY, DUPLICATED, AND/OR USED, BY RECEIVING IT, TO AGREE THAT IT, AND/OR ANY PART OF IT, SHALL NOT BE DISCLOSED TO ANY PERSON, CORPORATION OR OTHER ENTITY, DUPLICATED, AND/OR USED, EXCEPT AS EXPRESSLY APPROVED IN WRITING IN ADVANCE BY OWNER. THIS DOCUMENT SHALL BE RETURNED TO OWNER UPON REQUEST. IT MAY BE SUBJECT TO CERTAIN RESTRICTIONS UNDER APPLICABLE EXPORT CONTROL LAWS AND REGULATIONS.</small>		



DRAWN BY:	DATE:
MK	21.01.20
APPROVED BY:	DATE:
LS	21.01.20
PROCESS/FINISH	
-	
THIRD ANGLE PROJECTION	

 Regal Beloit America, Inc.	
DESCRIPTION	
MODEL-RFHP-48FR OUTLINE	
MATERIAL	
-	
SIZE	DWG NO
C	FDL1036_FA
SHEET	1



NOTES:

1. FOR USE WITH 614129 NAMEPLATE BLANK
2. - - - - - INDICATES DIMENSION LIMITS
3. DIE TO BE MADE FROM MASTER SUPPLIED BY A. O. SMITH CORPORATION
4. DIE MUST PRODUCE A LEGIBLE IMPRESSION.

DRAWING REVISION		REVISION BY	DATE	TOLERANCES UNLESS OTHERWISE SPECIFIED		DRAWN BY:		Regal Beloito America, Inc.	
D		J. RUPERT	04-14-2021	DEC.	INCH	mm	ANGLE		DESCRIPTION CONNECTION DIAGRAM EXTERNAL
ECO		APPROVED BY	DATE	.X	±0.1	[±2.5]	±0.5°	APPROVED BY:	
NMR-0208129		J. RUPERT	04-14-2021	.XX	±0.02	[±0.51]		T. RILEY	
ECO DESCRIPTION				.XXX	±0.005	[±0.127]		DATE:	
UP ISSUED				.XXXX	±0.0005	[±0.0127]		05-25-2010	
COPYRIGHT REGAL BELOITO AMERICA, INC. ALL RIGHTS RESERVED. PROPRIETARY AND CONFIDENTIAL INFORMATION - THIS DOCUMENT IS THE PROPERTY OF REGAL BELOITO AMERICA, INC. ("OWNER") AND CONTAINS OWNER'S PROPRIETARY INFORMATION. ANY PERSON, CORPORATION OR OTHER FIRM RECEIVING IT IS DEEMED BY RECEIVING IT, TO AGREE THAT IT, AND/OR ANY PART OF IT, SHALL NOT BE DISCLOSED TO ANY PERSON, CORPORATION OR OTHER ENTITY, DUPLICATED, AND/OR USED, EXCEPT AS EXPRESSLY APPROVED IN WRITING IN ADVANCE BY OWNER. THIS DOCUMENT SHALL BE RETURNED TO OWNER UPON REQUEST. IT MAY BE SUBJECT TO CERTAIN RESTRICTIONS UNDER APPLICABLE EXPORT CONTROL LAWS AND REGULATIONS.				REMOVE BURRS & BREAK SHARP EDGES .003/.015 [076/381] X 45° CORNER FILLETS R.02 [51] MACHINED SURFACES		REFERENCE		MATERIAL	PROCESS/FINISH
				4 of 4 mm SHOWN IN [BRACKETS]		EDGES .003/.015 [076/381] X 45° CORNER FILLETS R.02 [51] MACHINED SURFACES		THIRD ANGLE PROJECTION	