

# PRODUCT INFORMATION PACKET



Model No: FDL1034

Catalog No: FDL1034

Fan and Blower Motor, 1/3 HP, 1 Ph, 60 Hz, 115 V, 1625 RPM, 3 Speed, 48 Frame, OPEN



Regal and Century are trademarks of Regal Rexnord Corporation or one of its affiliated companies.  
©2022 Regal Rexnord Corporation, All Rights Reserved. MC017097E





**Nameplate Specifications**

Output HP	1/3 Hp	Output KW	0.25 kW
Frequency	60 Hz	Voltage	115 V
Current	4.0 A	Speed	1625 rpm
Service Factor	1	Phase	1
Duty	Air Over	Insulation Class	A
Frame	48Y	Enclosure	Open Enclosed
Thermal Protection	Automatic	Ambient Temperature	40 °C
UL	Recognized	CSA	Y
CE	N	Number of Speeds	3

**Technical Specifications**

Electrical Type	Permanent Split Capacitor	Starting Method	Across The Line
Poles	4	Rotation	Reversible
Mounting	Resilient Rings	Motor Orientation	Any
Drive End Bearing	Ball	Opp Drive End Bearing	Ball
Frame Material	Rolled Steel	Shaft Type	Flat
Overall Length	11.55 in	Frame Length	4.00 in
Shaft Diameter	0.500 in	Shaft Extension	6.4 in
Outline Drawing	FDL1034-S01	Connection Drawing	614131-111

This is an uncontrolled document once printed or downloaded and is subject to change without notice. Date Created:12/08/2022

**GENERAL INFORMATION:**

SHAFT RUNOUT: .001 [.03] T.I.R. PER INCH LENGTH OF EXTENSION

BEARINGS: BALL

MOUNTING POSITION: HORIZONTAL

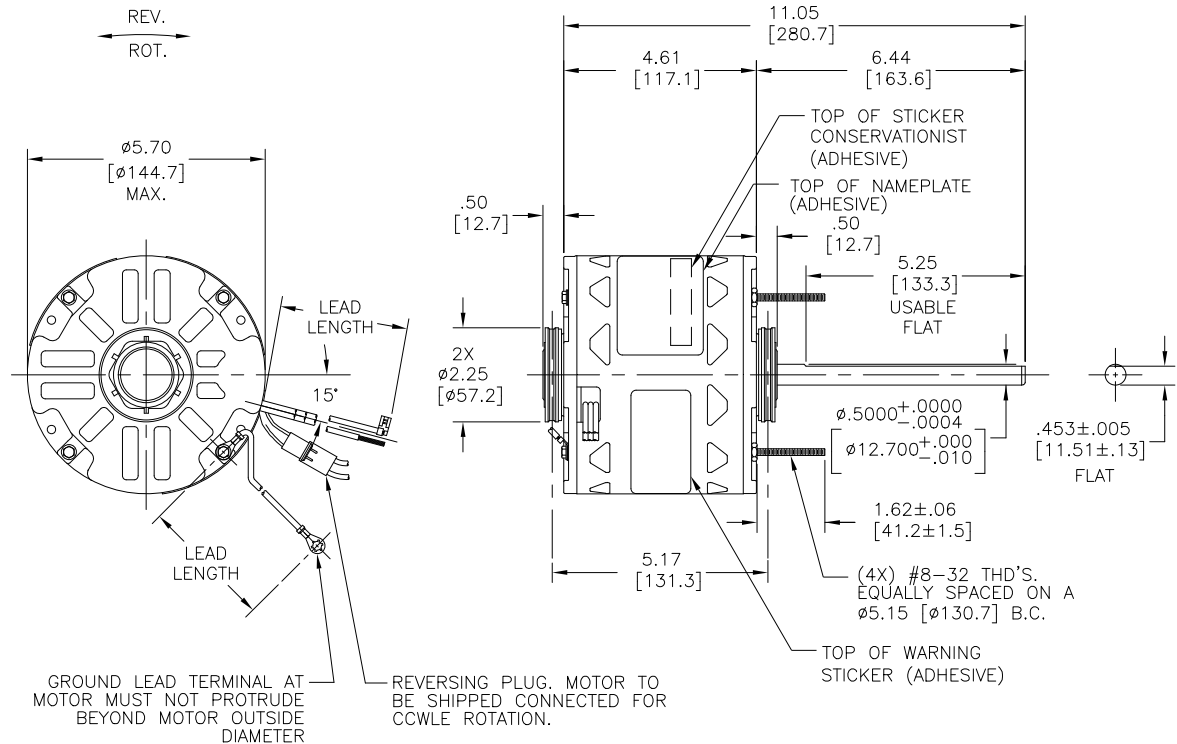
**ELECTRICAL DATA:**

OVERLOAD PROTECTOR: AUTOMATIC RESET (SENSATA 7AM 032)

LEADS: NO. 18 GA., .06 [1.5] THK., EPDM 125°C INSUL.

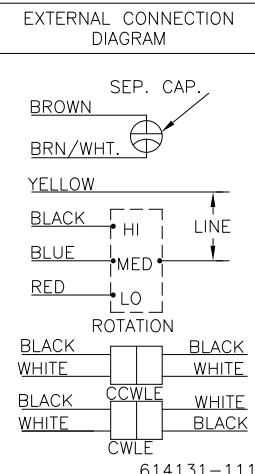
REVERSING LEADS: NO. 18 GA., .03 [.8] THK., XLP 125°C INSUL.

GROUND LEAD: NO. 18 GA., .03 [.8] THK., (GREEN) INSUL.



NOTES:  
1. SNAP RINGS 615035, 4 REQUIRED, TO BE PACKED WITH EACH MOTOR

**NAMEPLATE DATA:**  
MODEL NO: F48SJ4L5  
CUST. P/N: FDL1034  
HP: 1/3  
ROT.: REVERSIBLE  
RPM: 1625/3 SPD.  
TYPE: UF  
FRAME: 48Y  
VOLTS: 115  
PH: 1  
AMPS: 4.0 (6.2 MAX.)  
HZ: 60  
INS.: A  
AMB: 40°C  
DUTY: AIR OVER  
CAP.: 15 MFD/370V  
ENCL: OPEN  
CSA LOGO  
UL LOGO  
THERMALLY PROTECTED



GREEN(GRD)	12.0/13.0 [305/330]	#10 EYELET
BLACK/WHITE	3.0/5.0 [76/127]	REVERSING PLUG
BROWN	26.0/28.0 [660/711]	.25 [6.4] FLAG
BROWN/WHITE	26.0/28.0 [660/711]	.25 [6.4] FLAG
YELLOW	26.0/28.0 [660/711]	.50 [12.7] SKIN
BLACK	26.0/28.0 [660/711]	.50 [12.7] SKIN
BLUE	26.0/28.0 [660/711]	.50 [12.7] SKIN
RED	26.0/28.0 [660/711]	.50 [12.7] SKIN

REGAL-BELOIT CORPORATION (RBC) PROVIDES TECHNICAL ASSISTANCE TO OUR CUSTOMERS IN SEVERAL AREAS. SINCE RBC DOES NOT RECEIVE ALL DATA CONCERNING THE USE AND APPLICATION OF THE MOTOR, THE SUITABILITY OF THE MOTOR FOR THE APPLICATION MUST BE DETERMINED BY THE CUSTOMER.

DIMENSIONS WITHOUT TOLERANCES ARE FOR REFERENCE ONLY.

**ENCLOSURE**

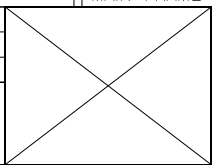
END FRAME - LE	OPEN
MAIN FRAME - LE	OPEN
END FRAME - OLE	OPEN
MAIN FRAME - OLE	OPEN

PERFORMANCE CURVE NO.	TORQUE @ 1625 RPM (25°C)	APPROVED SAMPLE	UL COMPONENT FILE #	CCN #	CSA FILE #	CLASS #
C23333	22.8 OZ. FT.	EX11397	E46412	PRGY2	LR43341	4211-01

**LEAD DATA**

DRAWING REVISION	REVISION BY	DATE
ED	J. RUPERT	04-06-2022
ECO	APPROVED BY	DATE
NMR-0213455	J. RUPERT	04-06-2022
ECO DESCRIPTION CHANGED TO BALL BEARING		

COPYRIGHT REGAL, BELOIT AMERICA, INC. ALL RIGHTS RESERVED. PROPRIETARY AND CONFIDENTIAL INFORMATION - THIS DOCUMENT IS THE PROPERTY OF REGAL, BELOIT AMERICA, INC. (OWNER) AND CONTAINS OWNER'S PROPRIETARY INFORMATION. ANY PERSON, CORPORATION OR OTHER ENTITY, DUPLICATING, AND/OR USING, BY RECEIVING IT, TO AGREE THAT IT, AND/OR ANY PART OF IT, SHALL NOT BE DISCLOSED TO ANY PERSON, CORPORATION OR OTHER ENTITY, DUPLICATED, AND/OR USED, EXCEPT AS EXPRESSLY APPROVED IN WRITING IN ADVANCE BY OWNER. THIS DOCUMENT SHALL BE RETURNED TO OWNER UPON REQUEST. IT MAY BE SUBJECT TO CERTAIN RESTRICTIONS UNDER APPLICABLE EXPORT CONTROL LAWS AND REGULATIONS.



**DRAWN BY:** HANNA ZOU  
**DATE:** 08-15-2017  
**APPROVED BY:** HONG ZHU  
**DATE:** 08-15-2017  
**PROCESS/FINISH**  
**THIRD ANGLE PROJECTION**

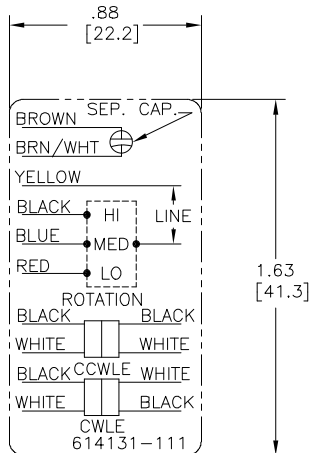
**REGAL™** Regal Beloit America, Inc.

**DESCRIPTION:** MODEL-RFHP-48FR OUTLINE

**MATERIAL:** -

**SIZE DWG NO:** FDL1034

**SHEET:** 1



NOTES:

1. FOR USE WITH 614129 NAMEPLATE BLANK
2. ----- INDICATES DIMENSION LIMITS
3. DIE TO BE MADE FROM MASTER SUPPLIED BY A. O. SMITH CORPORATION
4. DIE MUST PRODUCE A LEGIBLE IMPRESSION.

DRAWING REVISION		REVISION BY	DATE	TOLERANCES UNLESS OTHERWISE SPECIFIED		DRAWN BY:		Regal Beloito America, Inc.
D		J. RUPERT	04-14-2021	DEC.	INCH	mm	ANGLE	
ECO		APPROVED BY	DATE	.X	±0.1	[±2.5]	±0.5°	APPROVED BY: T. RILEY DATE: 05-25-2010
NMR-0208129		J. RUPERT	04-14-2021	.XX	±0.02	[±0.51]		
ECO DESCRIPTION				.XXX	±0.005	[±0.127]		MATERIAL . PROCESS/FINISH .
UP ISSUED				.XXXX	±0.0005	[±0.0127]		
COPYRIGHT REGAL BELOITO AMERICA, INC. ALL RIGHTS RESERVED. PROPRIETARY AND CONFIDENTIAL INFORMATION - THIS DOCUMENT IS THE PROPERTY OF REGAL BELOITO AMERICA, INC. ("OWNER") AND CONTAINS OWNER'S PROPRIETARY INFORMATION. ANY PERSON, CORPORATION OR OTHER FIRM RECEIVING IT IS DEEMED BY RECEIVING IT, TO AGREE THAT IT, AND/OR ANY PART OF IT, SHALL NOT BE DISCLOSED TO ANY PERSON, CORPORATION OR OTHER ENTITY, DUPLICATED, AND/OR USED, EXCEPT AS EXPRESSLY APPROVED IN WRITING IN ADVANCE BY OWNER. THIS DOCUMENT SHALL BE RETURNED TO OWNER UPON REQUEST. IT MAY BE SUBJECT TO CERTAIN RESTRICTIONS UNDER APPLICABLE EXPORT CONTROL LAWS AND REGULATIONS.				REMOVE BURRS & BREAK SHARP EDGES .003/.015 [076/381] X 45° CORNER FILLETS R.02 [51] MACHINED SURFACES		THIRD ANGLE PROJECTION		SHEET 1

4 of 9  
mm SHOWN IN [BRACKETS]





# Specification & Rating Report

Item Number: **FDL1034**

Specification Number: **1**

Model Number: **F48SJ4L5**

Sample Number:

Carton Label Model Number:

Customer Specification Number:

Customer Model Number:

Catalog Number: **FDL1034**

Agency Type:

CE: **N**

CE Number:

CSA: **Y**

CSA Number:

UL: **Y**

UL Number:

UL Explosion Proof Rating:

Cubic Feet Per Minute:

F2 Assembly:

UPC Model Number:

UPC Catalog Number: **786674020581**

Nameplate Drive Bearing Type:

Label Drive Bearing **BALL** Type:

Nameplate Opposite Drive Bearing Type:

Label Opposite Drive **BALL** Bearing Type:

Capacitor:

Capacitor Included: **N**

Capacitor Rating MFD: **15**

Capacitor Rating VAC: **370**

Control Code:

Design Status:

DC Design Number:

Features:

Form Factor:

Connection Diagram:

Installation Diagram:

Lubrication Label Diagram:

Warning Label Diagram:

Outline Diagram: **FDL1034-S01**

Outline Graphic: **41A**

Ambient Temperature: **40**

Insulation Class: **A**



## Specification & Rating Report

---

Protector: <b>AUTOMATIC</b>	Thermal Protection:
Nameplate Overload:	Label Overload:
IP Code:	
Nameplate Enclosure: <b>OPEN</b>	Label Enclosure: <b>OPEN</b>
Frame Length: <b>4.0</b>	Frame Length UOM:
Frame Diameter:	Frame Diameter UOM:
Frame Size: <b>48Y</b>	
Frame Material: <b>ROLLED STEEL</b>	End Frame Material:
Operator Instruction Manual:	
Nameplate Mounting:	Label Mounting: <b>RESILIENT RINGS</b>
Base Height:	Base Height UOM:
Ring Diameter:	RingDiameterUOM:
Nameplate:	Carton Label:
Nameplate Location <b>L</b> Format:	
Brake:	Tachometer:
Layer Quantity:	Pallet Quantity:
Phase: <b>1</b>	CurrentType:
DC Pole:	
Poles: <b>4</b>	
Speeds: <b>3</b>	
Duty: <b>AIR OVER</b>	
Shaft Diameter: <b>1/2</b>	Shaft Diameter UOM: <b>IN</b>
Shaft Extension: <b>6.4</b>	Shaft Extension UOM: <b>IN</b>
Shaft Material:	Rotation: <b>REVERSIBLE</b>
Shaft Type: <b>FLAT</b>	
Motor Type: <b>UF</b>	
Motor Use:	
Nameplate 1:	
Nameplate 2:	
Nameplate Text 1:	



## Specification & Rating Report

---

Nameplate Text 2:

Nameplate Text 3:

Nameplate Text 4:

Label Text 1: **PERMANENT**

**SPLIT**

**CAPACITOR**

Label Text 2:

Label Text 3: **CONSERVATIONIST**

**DIRECT DRIVE**

**BLOWER MOTOR**

Label Text 4:

Brand Line:

Vendor Line:

Motor Weight:

Motor Weight UOM:

Shipping Weight:

Shipping Weight UOM:

Armature Field  
Winding:

Core Length:

Core Length UOM:

Winding Code:

Winding Specification:

Nameplate Only  
Instructions:

Nameplate & Label  
Instructions:

Label Only  
Instructions:

## Specification & Rating Report



Rating Number: 1

Horsepower: **1/3**

Volts: **115**

Hertz: **60**

Field Current:

Revolutions Per Minute: **1625/3 SPEED**

Service Factor: **1.0**

Service Factor Amps:

NEMA Code:

NEMA Design:

Customer Nameplate Number:

Kilowatts:

Amps: **4.0**

Maximum Amps: **6.2**

Armature Current:

Power Factor:

Service Factor Volts:

NEMA Nominal Efficiency:

NEMA Guaranteed Efficiency: