

PRODUCT INFORMATION PACKET



Model No: FDL1016

Catalog No: FDL1016

Fan and Blower Motor, 1/6 HP, 1 Ph, 60 Hz, 115 V, 1075 RPM, 3 Speed, 48 Frame, OPEN



Regal and Century are trademarks of Regal Rexnord Corporation or one of its affiliated companies.

©2022 Regal Rexnord Corporation, All Rights Reserved. MC017097E





Nameplate Specifications

Output HP	1/6 Hp	Output KW	0.13 kW
Frequency	60 Hz	Voltage	115 V
Current	3.2 A	Speed	1075 rpm
Service Factor	1	Phase	1
Duty	Air Over	Insulation Class	B
Frame	48Y	Enclosure	Open Enclosed
Thermal Protection	Automatic	Ambient Temperature	50 °C
UL	Recognized	CSA	Y
CE	N	Number of Speeds	3

Technical Specifications

Electrical Type	Permanent Split Capacitor	Starting Method	Across The Line
Poles	6	Rotation	Reversible
Mounting	Resilient Rings	Motor Orientation	Any
Drive End Bearing	Ball	Opp Drive End Bearing	Ball
Frame Material	Rolled Steel	Shaft Type	Flat
Overall Length	10.80 in	Frame Length	3.25 in
Shaft Diameter	0.500 in	Shaft Extension	6.4 in
Outline Drawing	FDL1016-S01		

This is an uncontrolled document once printed or downloaded and is subject to change without notice. Date Created:11/28/2022

GENERAL INFORMATION:

SHAFT RUNOUT: .001 [.03] T.I.R. PER INCH LENGTH OF EXTENSION

BEARINGS: BALL

MOUNTING POSITION: ALL ANGLE

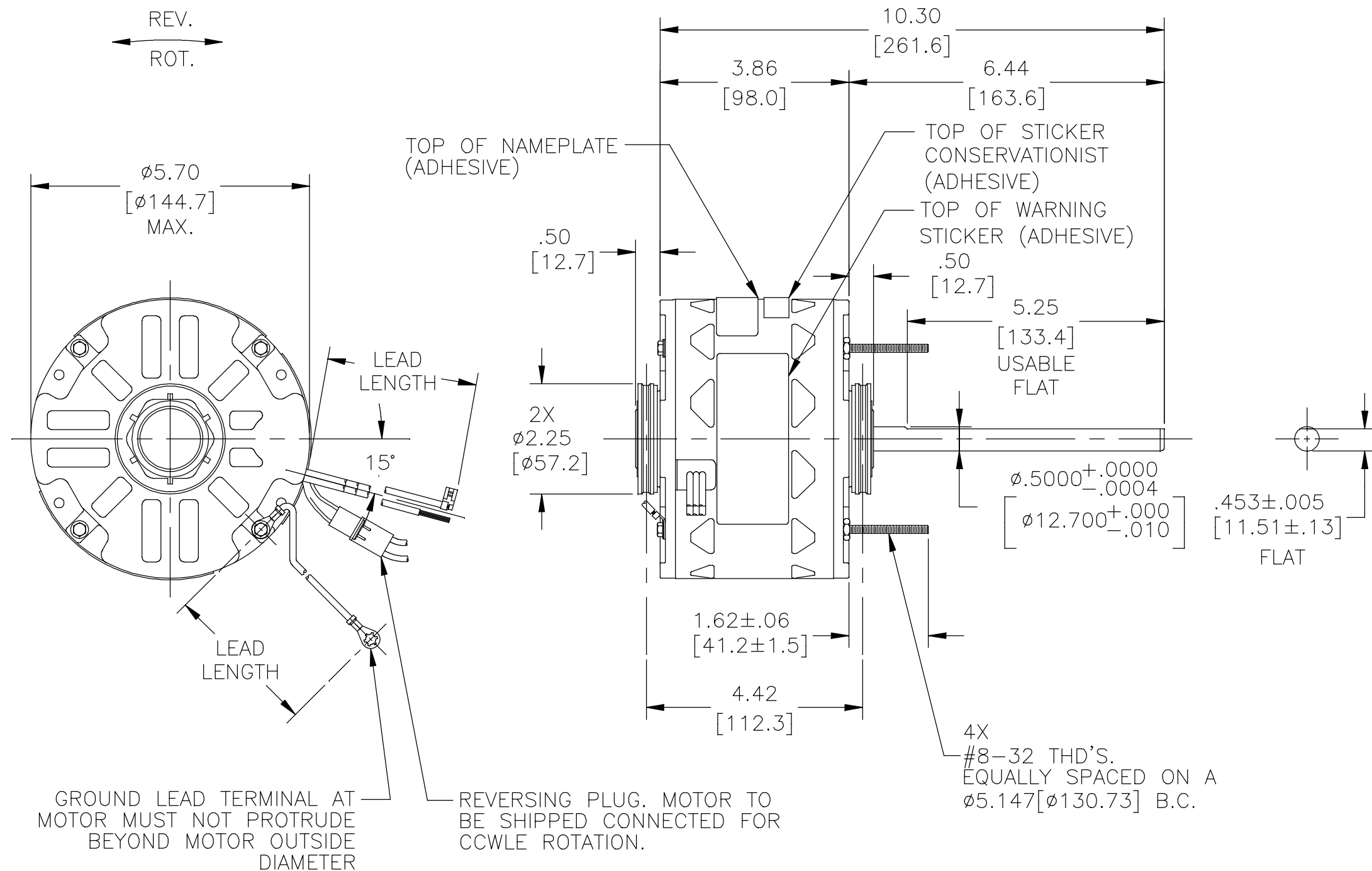
ELECTRICAL DATA:

OVERLOAD PROTECTOR: AUTOMATIC RESET (SENSATA 7AM 036)

LEADS: NO. 18 GA., .06 [1.5] THK., PVC 105°C INSUL.

REVERSING LEADS: NO. 18 GA., .03 [.8] THK., 125°C INSUL.

GROUND LEAD: NO. 18 GA., .03 [.8] THK., (GREEN) INSUL.



- NOTES:
1. SNAP RINGS 615035, 4 REQUIRED, TO BE PACKED WITH EACH MOTOR
 2. THE SYMBOL OF CTQ: ▲ (NO CTQ ON THIS DRAWING)
 3. MEET THE REQUIREMENT OF ROHS AND REACH: SEE EP000014_5.1

REGAL-BELOIT CORPORATION (RBC) PROVIDES TECHNICAL ASSISTANCE TO OUR CUSTOMERS IN SEVERAL AREAS. SINCE RBC DOES NOT RECEIVE ALL DATA CONCERNING THE USE AND APPLICATION OF THE MOTOR, THE SUITABILITY OF THE MOTOR FOR THE APPLICATION MUST BE DETERMINED BY THE CUSTOMER.

DIMENSIONS WITHOUT TOLERANCES ARE FOR REFERENCE ONLY.

GREEN (GRD)	12.0/13.0 [305/330]	#10 EYELET
BLACK/WHITE	3.0/5.0 [76/127]	REVERSING PLUG
BROWN	26.0/28.0 [660/711]	.25 [6.4] FLAG
BROWN	26.0/28.0 [660/711]	.25 [6.4] FLAG
YELLOW	26.0/28.0 [660/711]	.50 [12.7] SKIN
BLACK	26.0/28.0 [660/711]	.50 [12.7] SKIN
BLUE	26.0/28.0 [660/711]	.50 [12.7] SKIN
RED	26.0/28.0 [660/711]	.50 [12.7] SKIN

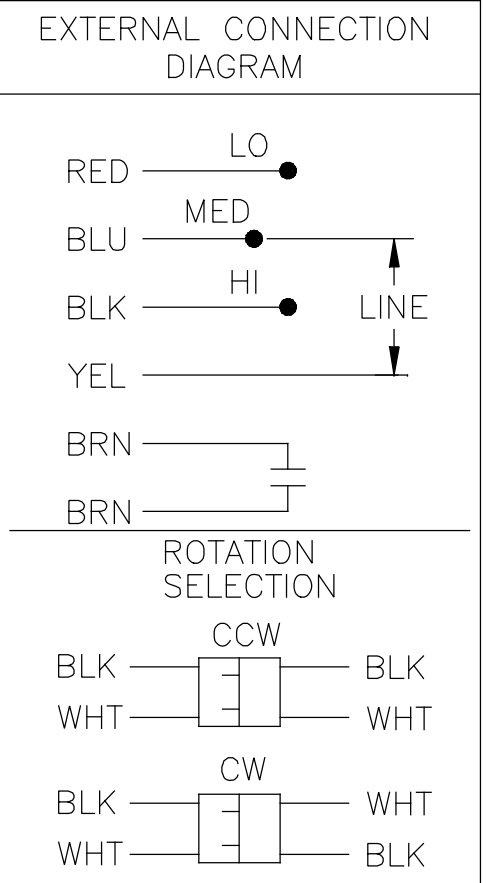
LEAD DATA		TERMINAL OR STRIP LENGTH	
COLOR	LENGTH		
GREEN (GRD)	12.0/13.0 [305/330]	#10 EYELET	
BLACK/WHITE	3.0/5.0 [76/127]	REVERSING PLUG	
BROWN	26.0/28.0 [660/711]	.25 [6.4] FLAG	
BROWN	26.0/28.0 [660/711]	.25 [6.4] FLAG	
YELLOW	26.0/28.0 [660/711]	.50 [12.7] SKIN	
BLACK	26.0/28.0 [660/711]	.50 [12.7] SKIN	
BLUE	26.0/28.0 [660/711]	.50 [12.7] SKIN	
RED	26.0/28.0 [660/711]	.50 [12.7] SKIN	

ENCLOSURE	
END FRAME - LE	OPEN
MAIN FRAME - LE	OPEN
END FRAME - OLE	OPEN
MAIN FRAME - OLE	OPEN

CUSTOMER	DISTRIBUTION SERVICES
----------	-----------------------

NAMEPLATE DATA:

MODEL NO: F48J97A01
 CUST. P/N: FDL1016
 HP: 1/6
 ROT.: REVERSIBLE
 RPM: 1075/3 SPD.
 TYPE: UF
 FRAME: 48Y
 VOLTS: 115
 PH: 1
 AMPS: 3.2
 HZ: 60
 INS.: B
 AMB: 50°C
 DUTY: AIR OVER
 CAP.: 7.5 MFD/370V
 ENCL: OPEN
 CSA LOGO
 UL LOGO
 THERMALLY PROTECTED



PERFORMANCE CURVE NO.	TORQUE @1075 RPM (25°C)	APPROVED SAMPLE	UL COMPONENT FILE #	CCN #	CSA FILE #	CLASS #
C31506	21.0 OZ. FT.	97AC362B	E46412	PRGY2	LR43341	4211-01

DRAWING REVISION D	REVISION BY J. RUPERT	DATE 03-27-2020
ECO-0183467	APPROVED BY J. RUPERT	DATE 03-27-2020
ECO DESCRIPTION REMOVED SPANISH NAMEPLATE		
<small>COPYRIGHT REGAL-BELOIT AMERICA, INC. ALL RIGHTS RESERVED. PROPRIETARY AND CONFIDENTIAL INFORMATION - THIS DOCUMENT IS THE PROPERTY OF REGAL-BELOIT AMERICA, INC. (OWNER) AND CONTAINS OWNER'S PROPRIETARY INFORMATION. ANY PERSON, CORPORATION OR OTHER FIRM RECEIVING IT IS DEEMED, BY RECEIVING IT, TO AGREE THAT IT, AND/OR ANY PART OF IT, SHALL NOT BE DISCLOSED TO ANY PERSON, CORPORATION OR OTHER ENTITY, DUPLICATED, AND/OR USED, EXCEPT AS EXPRESSLY APPROVED IN WRITING IN ADVANCE BY OWNER. THIS DOCUMENT SHALL BE RETURNED TO OWNER UPON REQUEST. IT MAY BE SUBJECT TO CERTAIN RESTRICTIONS UNDER APPLICABLE EXPORT CONTROL LAWS AND REGULATIONS.</small>		

DRAWN BY: J. RUPERT	DATE: 05-03-1991
APPROVED BY: M. FRENCH	DATE: 02-05-1992
PROCESS/FINISH	
THIRD ANGLE PROJECTION	

REGAL ™	Regal Beloit America, Inc.
DESCRIPTION	MODEL-RFHP-48FR OUTLINE
MATERIAL	
SIZE	DWG NO. FDL1016
SHEET	1