

PRODUCT INFORMATION PACKET



Model No: FD1026

Catalog No: FD1026

Fan and Blower Motor, 1/4 HP, 1 Ph, 60 Hz, 208-230 V, 1075 RPM, 3 Speed, 48 Frame, OPEN



Regal and Century are trademarks of Regal Rexnord Corporation or one of its affiliated companies.

©2022 Regal Rexnord Corporation, All Rights Reserved. MC017097E





Nameplate Specifications

Output HP	1/4 Hp	Output KW	0.19 kW
Frequency	60 Hz	Voltage	208-230 V
Current	1.85 A	Speed	1075 rpm
Service Factor	1	Phase	1
Duty	Air Over	Insulation Class	A
Frame	48Y	Enclosure	Open Enclosed
Thermal Protection	Automatic	Ambient Temperature	50 °C
UL	Recognized	CSA	Y
CE	N	Number of Speeds	3

Technical Specifications

Electrical Type	Permanent Split Capacitor	Starting Method	Across The Line
Poles	6	Rotation	Reversible
Mounting	Resilient Rings	Motor Orientation	Any
Drive End Bearing	Ball	Opp Drive End Bearing	Ball
Frame Material	Rolled Steel	Shaft Type	Flat
Overall Length	11.05 in	Frame Length	3.50 in
Shaft Diameter	0.500 in	Shaft Extension	6.4 in
Outline Drawing	11760-020		

This is an uncontrolled document once printed or downloaded and is subject to change without notice. Date Created:11/28/2022

4

3

2

1

GENERAL INFORMATION:

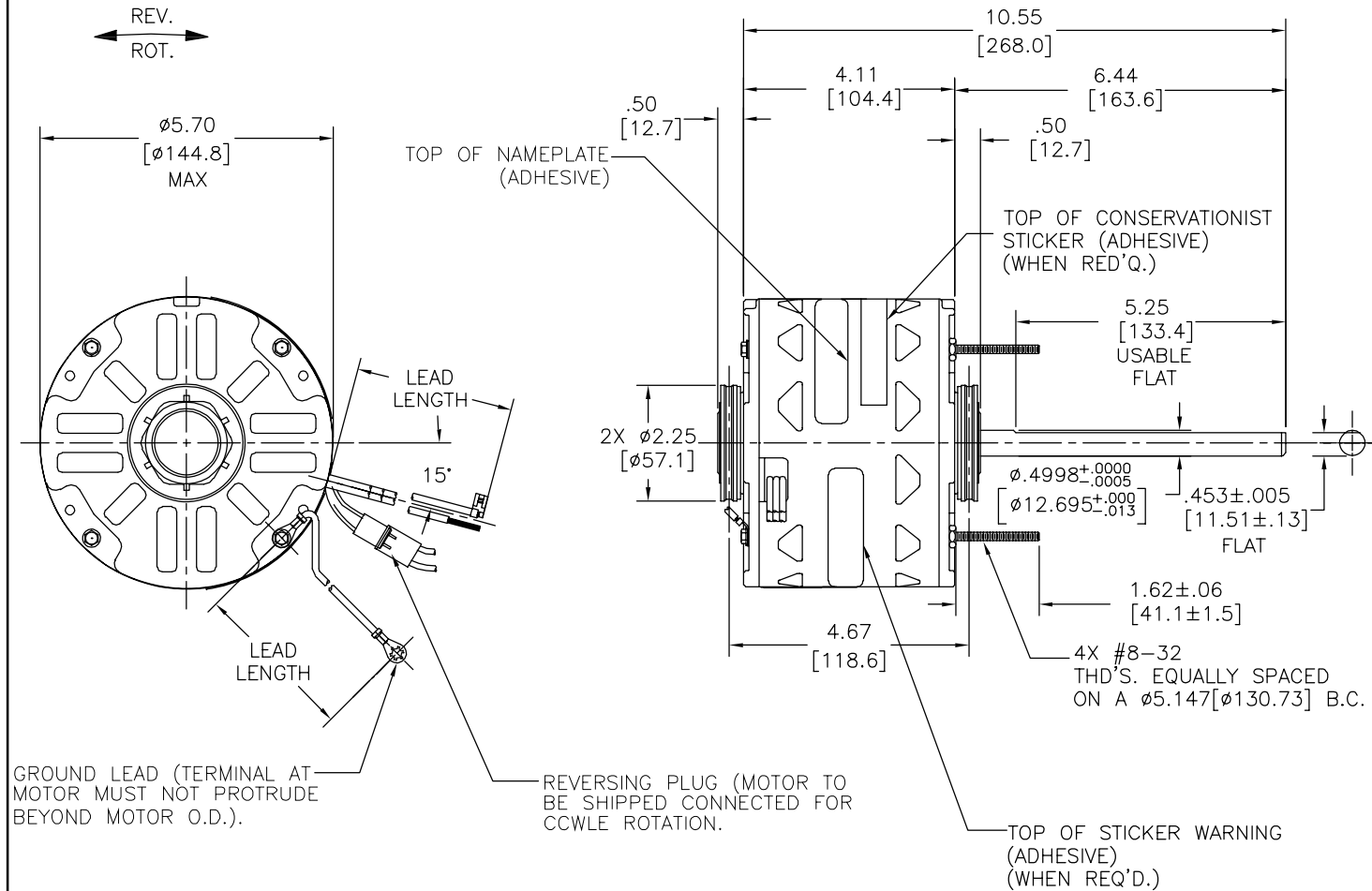
SHAFT RUNOUT: .001 [.03] T.I.R. PER INCH LENGTH OF EXTENSION
 END PLAY: .010[.25] TO .063[1.60]
 BEARINGS: SLEEVE
 MOUNTING POSITION: ALL ANGLE

ELECTRICAL DATA:

OVERLOAD PROTECTOR: AUTOMATIC RESET (T.I. 7AM 032)
 LEADS: NO. 18 GA., .03 [.8] THK. 125°C INSUL.
 REVERSING PLUGS: NO. 18 GA., .03 [.8] THK. 125°C INSUL.
 GROUND LEAD: NO. 18 GA., .03 [.8] THK. (GREEN) INSUL.

NOTE:
 1. 4X SNAP RINGS 615035 TO BE PACKED WITH EACH MOTOR

REV	ECO	REV BY	DATE	APPD	DATE
G	0025545	F.NAVARRO	04-26-2012	R.RASCON	04-26-2012



GROUND LEAD (TERMINAL AT MOTOR MUST NOT PROTRUDE BEYOND MOTOR O.D.).
 REVERSING PLUG (MOTOR TO BE SHIPPED CONNECTED FOR CCWLE ROTATION).

GREEN (GROUND)	12.0/13.0 [305/330]	#10 EYELET
BLACK/WHITE	3.0/5.0 [76/127]	REVERSING PLUG
BROWN	26.0/28.0 [660/711]	.25 [6.4] FLAG
BROWN/WHITE	26.0/28.0 [660/711]	.25 [6.4] FLAG
YELLOW	26.0/28.0 [660/711]	.50 [12.7] SKIN
BLACK	26.0/28.0 [660/711]	.50 [12.7] SKIN
BLUE	26.0/28.0 [660/711]	.50 [12.7] SKIN
RED	26.0/28.0 [660/711]	.50 [12.7] SKIN
COLOR	LENGTH	TERMINAL OR STRIP LENGTH

MAIN FRAME - OLE	OPEN
END FRAME - OLE	OPEN
MAIN FRAME - LE	OPEN
END FRAME - LE	OPEN

CUSTOMER	DISTRIBUTION SERVICE
----------	----------------------

NAMEPLATE DATA:	EXTERNAL CONNECTION DIAGRAM
MODEL NO.: F48SG6L10 CUST. P/N: FD1026 HP: 1/4 ROT.: REVERSIBLE RPM: 1075/3 SPD. TYPE: UF FRAME: 48Y VOLTS: 208-230 PH: 1 AMPS: 1.5 (1.9 MAX) HZ: 60 INS.: A AMB.: 50°C DUTY: AIR OVER CAP.: 5 MFD/370V ENCL: OPEN UL LOGO CSA LOGO THERMALLY PROTECTED	

PERFORMANCE CURVE NO.	TORQUE @ 1075 RPM (25°C)	APPROVED SAMPLE	UL COMPONENT		CSA	
C22957	26.6 OZ. FT.	EX11215	FILE #	CCN #	FILE #	CLASS #
			E46412	PRGY2	LR43341	260-Ø-0

GEOMETRIC CHARACTERISTICS & SYMBOLS
 ▽ FLATNESS
 - STRAIGHTNESS
 < ANGLARITY
 ⊥ PERPENDICULARITY (SQUARENESS)
 // PARALLELISM
 ○ ROUNDNESS (CIRCULARITY)
 ∅ CYLINDRICITY
 △ PROFILE OF ANY SURFACE
 ∩ PROFILE OF ANY LINE
 ↑ RUNOUT
 ⊕ TRUE POSITION
 ⊙ CONCENTRICITY
 = SYMMETRY
 ASME Y14.5M 1994

REGAL-BELOIT CORPORATION (RBC) PROVIDES TECHNICAL ASSISTANCE TO OUR CUSTOMERS IN SEVERAL AREAS. SINCE RBC DOES NOT RECEIVE ALL DATA CONCERNING THE USE AND APPLICATION OF THE MOTOR, THE SUITABILITY OF THE MOTOR FOR THE APPLICATION MUST BE DETERMINED BY THE CUSTOMER.
 DIMENSIONS WITHOUT TOLERANCES ARE FOR REFERENCE ONLY.

DR BY: MH	03-12-2009
APPD: DL	03-12-2009
THIRD ANGLE PROJECTION	EDS DATE 11-11-2011 FORMAT REV G
CONFIDENTIAL: THIS DRAWING AND ITS INFORMATION ARE THE EXCLUSIVE AND CONFIDENTIAL PROPERTY OF REGAL-BELOIT CORPORATION AND ARE NOT TO BE DISCLOSED, DUPLICATED, DISTRIBUTED OR OTHERWISE USED WITHOUT THE WRITTEN CONSENT OF REGAL-BELOIT CORPORATION. -ALL RIGHTS RESERVED.	

DESCRIPTION	
MODEL-RFHP-48FR OUTLINE	
SIZE C	DWG NO 11760-020
SCALE NONE	SHEET 1

4

3

2

1

4

3

2

1

INFORMACION GENERAL:

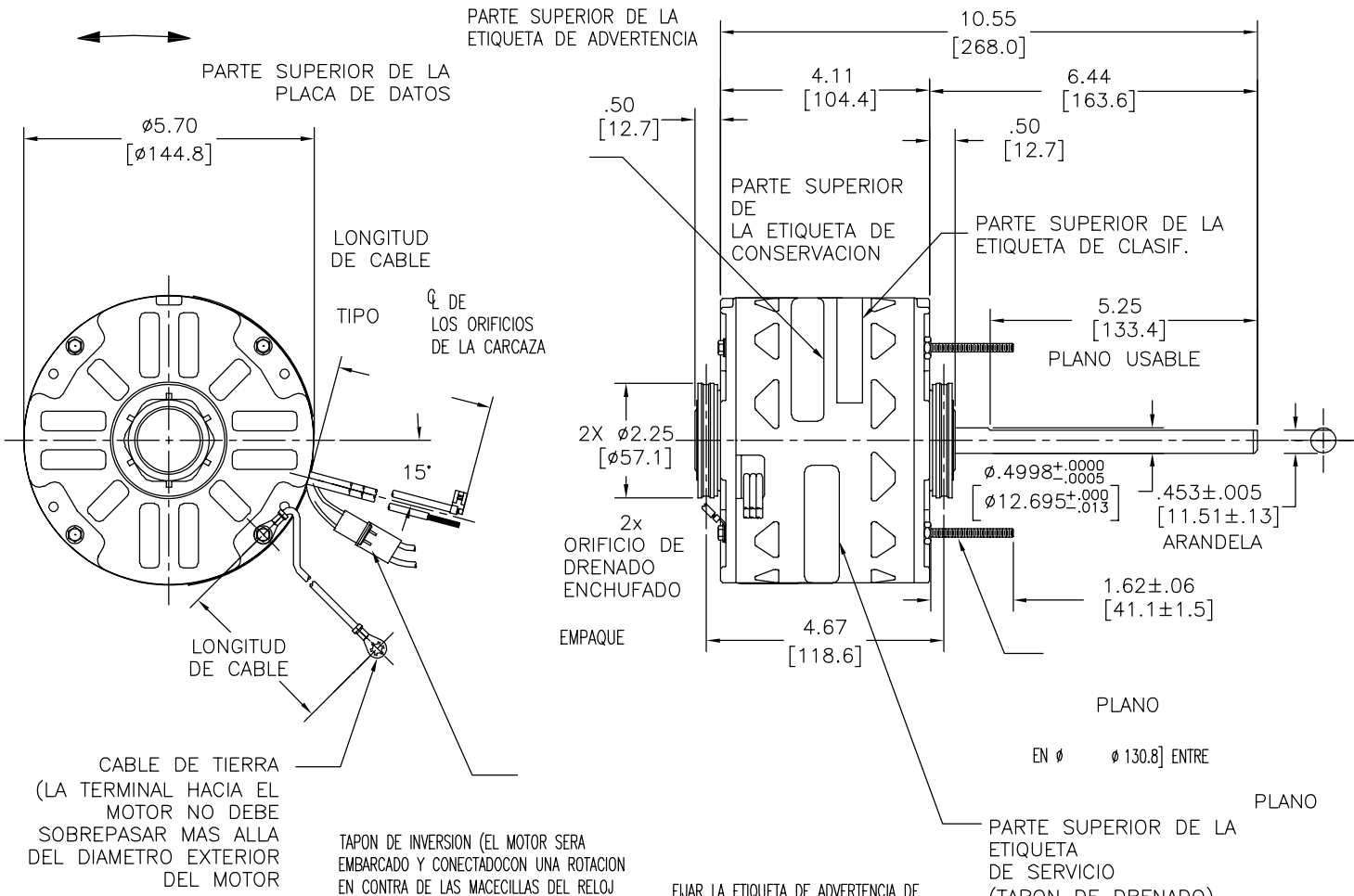
OSCILACION DE FLECHA: .001 [.03] L.T.I. LONGITUD DE EXTENSION POR PULGADA

BALEROS: BOLA
 POSICION DE MONTAJE: TODO EL ANGULO

DATOS ELECTRICOS:

SOBRECARGA DEL PROTECTOR: REINICIO AUTOMATICO (T.I. 7AM 036)
 CABLES DE LINEA: NO. 18 GA., .06 [1.5] DE ESPESOR EPDM 125°C AISLANTE
 TAPON DE INVERSION: NO. 18 GA., .03 [.8] ESPESOR XLP 125°C AISLANTE
 CABLE DE TIERRA: NO. 18 GA., .03 [.8] ESPESOR (VERDE) AISLANTE

REVISION:	ECO	REVISADO POR:	FECHA:	APROBADO POR:	FECHA:
G	0025545	F.NAVARRO	04-26-2012	R.RASCON	04-26-2012



CABLE DE TIERRA (LA TERMINAL HACIA EL MOTOR NO DEBE SOBREPASAR MAS ALLA DEL DIAMETRO EXTERIOR DEL MOTOR)
 TAPON DE INVERSION (EL MOTOR SERA EMBARCADO Y CONECTADO CON UNA ROTACION EN CONTRA DE LAS MANECILLAS DEL RELOJ)

FIJAR LA ETIQUETA DE ADVERTENCIA DE CONEXION AL CABLE COMUN AMARILLO APROX. 2.00 PULGADAS [50.8] DESDE EL MOTOR
 PARTE SUPERIOR DE LA ETIQUETA MASTERFIT (4) Ø.120/.125 [Ø3.05/3.18] MONTAJE ORIFICIOS IGUALMENTE ESPACIADOS A 90°(±1') APARTE
 2X ROSCAS #8-32 NC-2A 5.15 [CENTROS 90° APARTE]
 NOTA: DENOTA CARACTERISTICAS CRITICAS (4) TORNILLOS Y (4) TUERCAS SERAN EMPAQUETADAS CON CADA MOTOR

	12.0/13.0 [305/330]	
VERDE (TIERRA)	3.0/5.0 [76/127]	OJAL #10
NEGRO/BLANCO	26.0/28.0 [660/711]	TAPON DE INVERSION
CAFE	26.0/28.0 [660/711]	BANDERA
CAFE/BLANCO	26.0/28.0 [660/711]	BANDERA
ROJO	26.0/28.0 [660/711]	FORRO
NEGRO	26.0/28.0 [660/711]	FORRO
AMARILLO	26.0/28.0 [660/711]	FORRO
COLOR	LONGITUD	TERMINAL O LONGITUD DE DESFORRE

CUERPO PPAL.-OLE	CERRADO
TAPA FINAL - OLE	CERRADO CON ORIFICIO DE DRENADO
CUERPO PPAL.-OLE	CERRADO
TAPA FINAL - OLE	CERRADO CON ORIFICIO DE DRENADO

DATOS DE PLACA DE DATOS:	DIAGRAMA DE CONEXION EXTERNA
MODEL NO.: F48SG6L10 CUST. P/N: FD1026 HP: 1/4 ROT.: REVERSIBLE RPM: 1075/3 SPD. TYPE: UF FRAME: 48Y VOLTS: 208-230 PH: 1 AMPS: 1.5 (1.9 MAX) HZ: 60 INS.: A AMB.: 50°C DUTY: AIR OVER CAP.: 5 MFD/370V ENCL: OPEN UL LOGO CSA LOGO THERMALLY PROTECTED	

CURVAS DE FUNCIONAMIENTO	TORSION @1075 RPM (25°C)	MUESTRA APROVADA	COMPONENTE UL	CSA
C22957	36.6 OZ. PIES	EX11215	#ARCHIVO	#ARCHIVO #CLASE
			E46412 PRGY2	LR43341 260-Ø-0

CARACTERISTICAS DE GEOMETRIA Y SIMBOLOS
 ✓ PLANICIDAD
 - RECTITUD
 < ANGULARIDAD
 ⊥ PERPENDICULARIDAD (A ESCUADRA)
 // PARALELISMO
 ○ REDONDEZ (CIRCULARIDAD)
 ∅ CILINDRICIDAD
 △ PERFIL DE CUALQUIER SUPERFICIE
 ∩ PERFIL DE CUALQUIER LINEA
 / VARIACION
 † POSICION REAL
 ⊙ CONCENTRICIDAD
 = SIMETRIA
 ASME Y14.5M 1994

REGAL-BELOIT CORPORATION (RBC) PROVEE ASISTENCIA TECNICA A NUESTROS CLIENTES EN VARIAS AREAS, DESDE QUE RBC NO RECIBE TODOS LOS DATOS EN RELACION AL USO Y A LA APLICACION DEL MOTOR, LA APLICACION ADECUADA DEL MOTOR DEBE SER DETERMINADA POR EL CLIENTE.
 DIMENSIONES SIN TOLERANCIA SON DE REFERENCIA SOLAMENTE

DIBUJADO POR: MH 03-12-2009
 APROBADO POR: DL 03-12-2009
 TERCER ANGULO DE PROYECCION
 CONFIDENCIAL: ESTE DIBUJO Y SU INFORMACION SON PROPIEDAD DE USO EXCLUSIVO Y CONFIDENCIAL DE REGAL-BELOIT CORPORATION. Y NO DEBERAN SER REVELADOS, DUPLICADOS, DISTRIBUIDOS O USARSE DE OTRA MANERA SIN EL CONSENTIMIENTO ESCRITO DE REGAL-BELOIT CORPORATION. -TODOS LOS DERECHOS RESERVADOS.

REGAL-BELOIT CORPORATION
 DESCRIPCION: MODEL-RFHP-48FR OUTLINE
 TAMAÑO: C NUMERO DE DIBUJO: 11760-020
 ESCALA: NONE HOJA: 1

4

3

2

1

