

# PRODUCT INFORMATION PACKET



Model No: FC3156F  
Catalog No: FC3156F  
1 1/2 HP Condenser Fan Motor, 1120 RPM, 200-230/460 Volts, 48 Frame, OAO  
Condenser Fans Motors



Regal and Century are trademarks of Regal Rexnord Corporation or one of its affiliated companies.  
©2021 Regal Rexnord Corporation, All Rights Reserved. MC017097E





**Nameplate Specifications**

Output HP	1 1/2 Hp	Output KW	1.1 kW
Frequency	60 Hz	Voltage	200-230/460 V
Current	5.8/2.9 A	Speed	1120 rpm
Service Factor	1	Phase	3
Duty	Air Over	Insulation Class	F
Frame	48Y	Enclosure	Open Enclosed
Thermal Protection	Automatic	Ambient Temperature	70 °C
UL	Recognized	CSA	Y
CE	N	Number of Speeds	1

**Technical Specifications**

Electrical Type	Three Phase	Starting Method	Across The Line
Poles	6	Rotation	Reversible
Mounting	Round Belly Band	Motor Orientation	Vertical Shaft Up
Drive End Bearing	Ball	Opp Drive End Bearing	Ball
Frame Material	Rolled Steel	Shaft Type	Keyed
Overall Length	15.44 in	Frame Length	9.00 in
Shaft Diameter	0.625 in	Shaft Extension	4.07 in
Connection Drawing	614131-045	Outline Drawing	FC3156F-S01

This is an uncontrolled document once printed or downloaded and is subject to change without notice. Date Created:10/07/2021

4 3 2 1

总技术要求:

轴跳动: .001[.03]/1[25.4]外伸轴

轴承: 球轴承

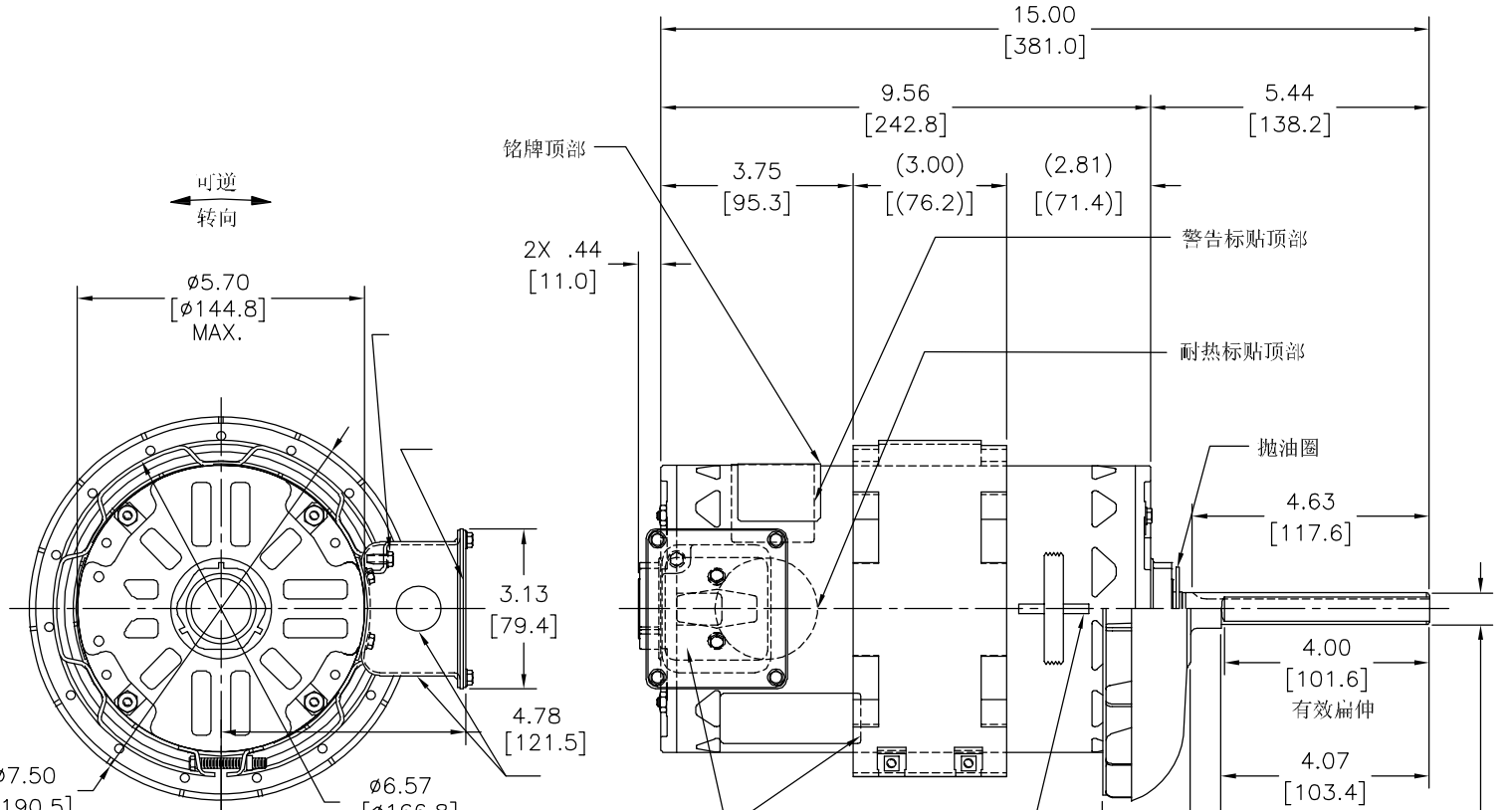
安装位置: 转轴朝下

电气数据:

过载保护: 自动复位 (SPENCER MWJ57JR)

引线: 18# (美制标准), 厚.03[.8] XLP 125° C 绝缘

版本	ECO	编制	日期	批准	日期
C	ECO-0028126	jrupert	11-13-2012	jrupert	11-13-2012



红 (1)	5.0/7.0 [127/178]	.50 [12.7]	剥皮
红 (2)	5.0/7.0 [127/178]	.50 [12.7]	剥皮
红 (3)	5.0/7.0 [127/178]	.50 [12.7]	剥皮
黄 (4)	5.0/7.0 [127/178]	.50 [12.7]	剥皮
黄 (5)	5.0/7.0 [127/178]	.50 [12.7]	剥皮
黄 (6)	5.0/7.0 [127/178]	.50 [12.7]	剥皮
蓝 (7)	5.0/7.0 [127/178]	.50 [12.7]	剥皮
蓝 (8)	5.0/7.0 [127/178]	.50 [12.7]	剥皮
蓝 (9)	5.0/7.0 [127/178]	.50 [12.7]	剥皮
黑 (10)	5.0/7.0 [127/178]	.50 [12.7]	剥皮
黑 (11)	5.0/7.0 [127/178]	.50 [12.7]	剥皮
黑 (12)	5.0/7.0 [127/178]	.50 [12.7]	剥皮
颜色	长度	端子或剥线长度	

铭牌数据	外部数据线															
MODEL NO.: P48A93A01 CUST. P/N: FC3156F HP: 1 1/2 ROT.: REVERSIBLE RPM: 1120 TYPE: UAP FRAME: 48Y VOLTS: 200-230/460 PH: 3 AMPS: 5.8/2.9 HZ: 60 INS.: F AMB.: 70° C DUTY: AIR OVER CAP.: - ENCL: OPEN UL LOGO CSA LOGO THERMALLY PROTECTED TYPE T	<table border="1"> <tr> <td>⑩</td><td>④</td><td>⑦</td><td>①</td><td>L1</td> </tr> <tr> <td>⑪</td><td>⑤</td><td>⑧</td><td>②</td><td>L2</td> </tr> <tr> <td>⑫</td><td>⑥</td><td>⑨</td><td>③</td><td>L3</td> </tr> </table>	⑩	④	⑦	①	L1	⑪	⑤	⑧	②	L2	⑫	⑥	⑨	③	L3
⑩	④	⑦	①	L1												
⑪	⑤	⑧	②	L2												
⑫	⑥	⑨	③	L3												

性能曲线编号	转矩在 1120 RPM @ 25° C	批准样品	UL部件	CSA
C21357	114.2 OZ. FT.	0701418A	文件号 E46412 指南 PRGY2	文件号 LR43341 指南 4211-01

无引线端机壳	开放
无引线端端盖	开放
有引线端机壳	开放
有引线端端盖	开放

用户	DISTRIBUTION SERVICE
----	----------------------

形位公差

- 平面度
- 直线度
- ∠ 倾斜度
- ⊥ 垂直度
- // 平行度
- 圆度
- ⊘ 圆柱度
- ⊙ 面轮廓度
- ⌒ 线轮廓度
- ⤴ 圆跳动
- ⊕ 位置度
- ⊙ 同轴度
- ≡ 对称度

ASME Y14.5M 1994

REGAL-BELOIT CORPORATION (RBC)  
在个别领域为客户提供技术支持  
鉴于RBC未收到任何涉及电机使用  
和应用环境的数据, 电机的适用性  
由客户自己决定。

未注公差尺寸仅供参考。

绘图:	TH	04-13-2011
批准:	MH	04-13-2011
第三角投影	⊕	图纸格式发布日期 11-11-2011 图纸格式版本 H
机密:	本图纸及相关信息所有权归REGAL-BELOIT CORPORATION 未经REGAL-BELOIT CORPORATION书面授权, 不得泄露、 复制、传播或作其他用途。—版权所有	

<b>REGAL REGAL-BELOIT CORPORATION</b>	
名称: MODEL-RFHP-48FR OUTLINE	
图幅: C	图号: FC3156F
比例: NONE	页号: 1

4 3 2 1

4 3 2 1

GENERAL INFORMATION:

SHAFT RUNOUT: .001 [.03] T.I.R. PER INCH LENGTH OF EXTENSION

BEARINGS: BALL

MOUNTING POSITION: VERTICAL SHAFT UP

ELECTRICAL DATA:

OVERLOAD PROTECTOR: AUTOMATIC RESET (SPENCER MWJ57JR)

LEADS: NO. 18 GA., .03 [.8] THK. XLP 125°C INSUL.

REV	ECO	REV BY	DATE	APPD	DATE
C	ECO-0028126	jrupert	11-13-2012	jrupert	11-13-2012

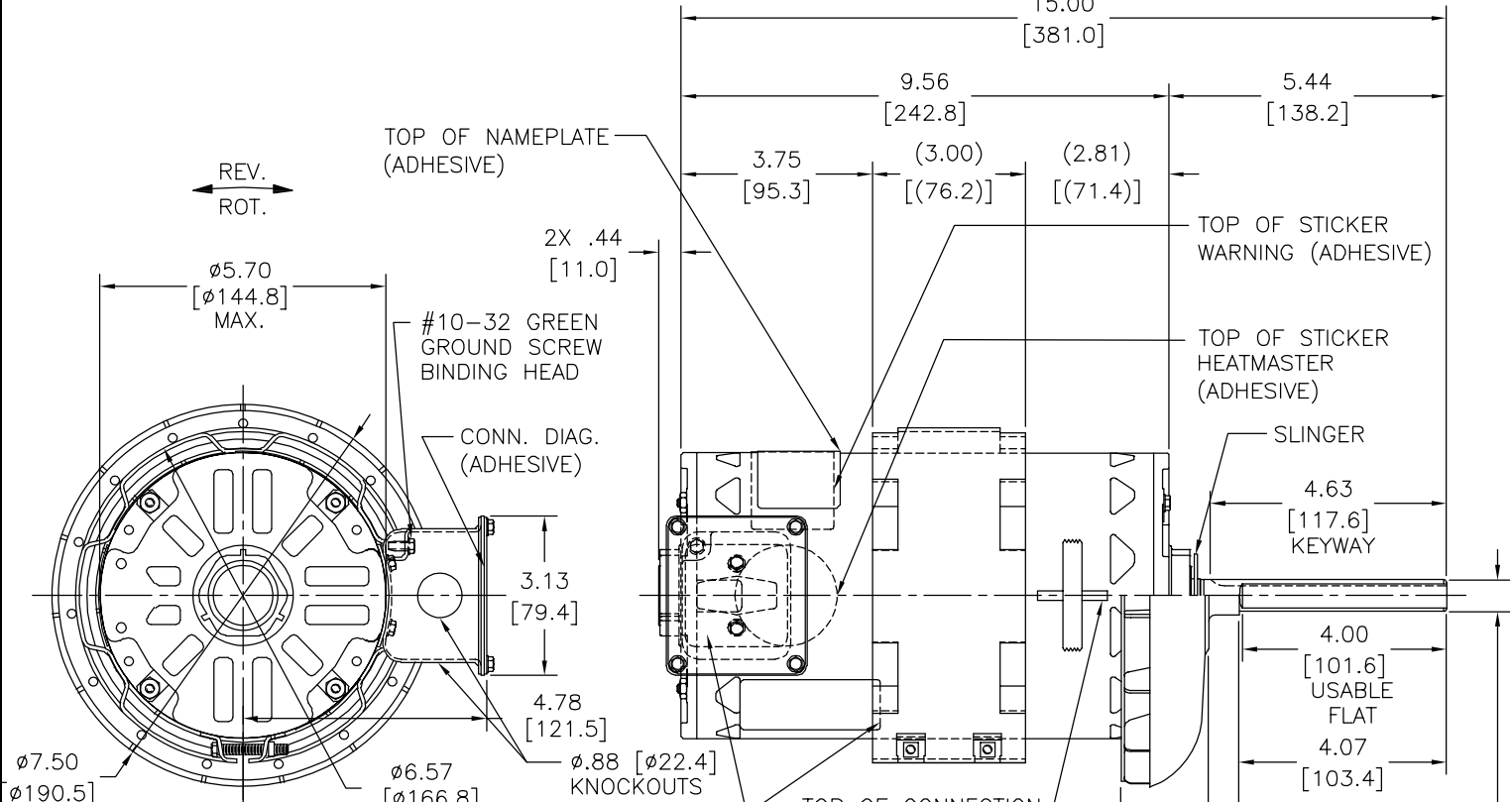
NAMEPLATE DATA:	EXTERNAL CONNECTION DIAGRAM
MODEL NO.: P48A93A01 CUST. P/N: FC3156F HP: 1 1/2 ROT.: REVERSIBLE RPM: 1120 TYPE: UAP FRAME: 48Y VOLTS: 200-230/460 PH: 3 AMPS: 5.8/2.9 HZ: 60 INS.: F AMB.: 70° C DUTY: AIR OVER CAP.: - ENCL: OPEN UL LOGO CSA LOGO THERMALLY PROTECTED TYPE T	
614131-045	

PERFORMANCE CURVE NO.	TORQUE @ 1120 RPM (25°C)	APPROVED SAMPLE	UL COMPONENT FILE #	CCN #	CSA FILE #	CLASS #
C21357	114.2 OZ. FT.	0701418A	E46412	PRGY2	LR43341	4211-01

COLOR	LENGTH	TERMINAL OR STRIP LENGTH
RED (1)	5.0/7.0 [127/178]	.50 [12.7] SKIN
RED (2)	5.0/7.0 [127/178]	.50 [12.7] SKIN
RED (3)	5.0/7.0 [127/178]	.50 [12.7] SKIN
YELLOW (4)	5.0/7.0 [127/178]	.50 [12.7] SKIN
YELLOW (5)	5.0/7.0 [127/178]	.50 [12.7] SKIN
YELLOW (6)	5.0/7.0 [127/178]	.50 [12.7] SKIN
BLUE (7)	5.0/7.0 [127/178]	.50 [12.7] SKIN
BLUE (8)	5.0/7.0 [127/178]	.50 [12.7] SKIN
BLUE (9)	5.0/7.0 [127/178]	.50 [12.7] SKIN
BLACK (10)	5.0/7.0 [127/178]	.50 [12.7] SKIN
BLACK (11)	5.0/7.0 [127/178]	.50 [12.7] SKIN
BLACK (12)	5.0/7.0 [127/178]	.50 [12.7] SKIN

REGAL-BELOIT CORPORATION (RBC) PROVIDES TECHNICAL ASSISTANCE TO OUR CUSTOMERS IN SEVERAL AREAS. SINCE RBC DOES NOT RECEIVE ALL DATA CONCERNING THE USE AND APPLICATION OF THE MOTOR, THE SUITABILITY OF THE MOTOR FOR THE APPLICATION MUST BE DETERMINED BY THE CUSTOMER.

DIMENSIONS WITHOUT TOLERANCES ARE FOR REFERENCE ONLY.



MAIN FRAME - OLE	OPEN
END FRAME - OLE	OPEN
MAIN FRAME - LE	OPEN
END FRAME - LE	OPEN

CUSTOMER	DISTRIBUTION SERVICE
----------	----------------------

A

GEOMETRIC CHARACTERISTICS & SYMBOLS  
 □ FLATNESS  
 - STRAIGHTNESS  
 < ANGLARITY  
 ⊥ PERPENDICULARITY (SQUARENESS)  
 // PARALLELISM  
 ○ ROUNDNESS (CIRCULARITY)  
 ⌀ CYLINDRICITY  
 Δ PROFILE OF ANY SURFACE  
 Δ PROFILE OF ANY LINE  
 ↗ RUNOUT  
 ⊕ TRUE POSITION  
 ⊙ CONCENTRICITY  
 = SYMMETRY  
 ASME Y14.5M 1994

REGAL-BELOIT CORPORATION (RBC) PROVIDES TECHNICAL ASSISTANCE TO OUR CUSTOMERS IN SEVERAL AREAS. SINCE RBC DOES NOT RECEIVE ALL DATA CONCERNING THE USE AND APPLICATION OF THE MOTOR, THE SUITABILITY OF THE MOTOR FOR THE APPLICATION MUST BE DETERMINED BY THE CUSTOMER.

DIMENSIONS WITHOUT TOLERANCES ARE FOR REFERENCE ONLY.

DR BY: TH 04-13-2011  
 APPD: MH 04-13-2011  
 EDS DATE 11-11-2011  
 FORMAT REV H  
 THIRD ANGLE PROJECTION  
 CONFIDENTIAL: THIS DRAWING AND ITS INFORMATION ARE THE EXCLUSIVE AND CONFIDENTIAL PROPERTY OF REGAL-BELOIT CORPORATION AND ARE NOT TO BE DISCLOSED, DUPLICATED, DISTRIBUTED OR OTHERWISE USED WITHOUT THE WRITTEN CONSENT OF REGAL-BELOIT CORPORATION. -ALL RIGHTS RESERVED.

**REGAL REGAL-BELOIT CORPORATION**

DESCRIPTION: MODEL-RFHP-48FR OUTLINE

SIZE: C DWG NO: FC3156F

SCALE: NONE SHEET: 1

4 3 2 1

4 3 2 1

INFORMACION GENERAL:

OSCILACION DE FLECHA: .001 [.03] T.I.R. PER INCH LENGTH OF EXTENSION

BALEROS: BALERO

POSICION DEL MONTAJE: FLECHA VERTICAL ENCIMA DE

INFORMACION ELECTRICA:

SOBRECARGA DEL PROTECTOR: REINICIO AUTOMATIC (SPENCER M5W73JR)

CABLES: NO. 18 GA., .03 [.8] THK. XLP 125°C AISLAM.

REVISION:	ECO	REVISADO POR:	FECHA:	APROBADO POR:	FECHA:
C	ECO-0028126	jrupert	11-13-2012	jrupert	11-13-2012

INFORMACION DE ETIQUETA:	DIAGRAMA DE CONEXION EXTRNA
MODEL NO.: P48A93A01 CUST. P/N: FC3156F HP: 1 1/2 ROT.: REVERSIBLE RPM: 1120 TYPE: UAP FRAME: 48Y VOLTS: 200-230/460 PH: 3 AMPS: 5.8/2.9 HZ: 60 INS.: F AMB.: 70° C DUTY: AIR OVER CAP.: - ENCL: OPEN UL LOGO CSA LOGO THERMALLY PROTECTED TYPE T	
614131-045	

CURVAS DE FUNCIONAMIENTO	TORSION @ 1120 RPM (25°C)	MUESTRA APROBADA	COMPONENTE UL		CSA	
			#ARCHIVO	CCN #	#ARCHIVO	CLASE #
C21357	114.2 OZ. FT.	0701418A	E46412	PRGY2	LR43341	4211-01

COLOR	LONGITUD	TERMINAL O LONGITUD DE DESFORRE
ROJO (1)	5.0/7.0 [127/178]	.50 [12.7] DEL PIEL
ROJO (2)	5.0/7.0 [127/178]	.50 [12.7] DEL PIEL
ROJO (3)	5.0/7.0 [127/178]	.50 [12.7] DEL PIEL
AMARILLO (4)	5.0/7.0 [127/178]	.50 [12.7] DEL PIEL
AMARILLO (5)	5.0/7.0 [127/178]	.50 [12.7] DEL PIEL
AMARILLO (6)	5.0/7.0 [127/178]	.50 [12.7] DEL PIEL
AZUL (7)	5.0/7.0 [127/178]	.50 [12.7] DEL PIEL
AZUL (8)	5.0/7.0 [127/178]	.50 [12.7] DEL PIEL
AZUL (9)	5.0/7.0 [127/178]	.50 [12.7] DEL PIEL
NEGRO (10)	5.0/7.0 [127/178]	.50 [12.7] DEL PIEL
NEGRO (11)	5.0/7.0 [127/178]	.50 [12.7] DEL PIEL
NEGRO (12)	5.0/7.0 [127/178]	.50 [12.7] DEL PIEL

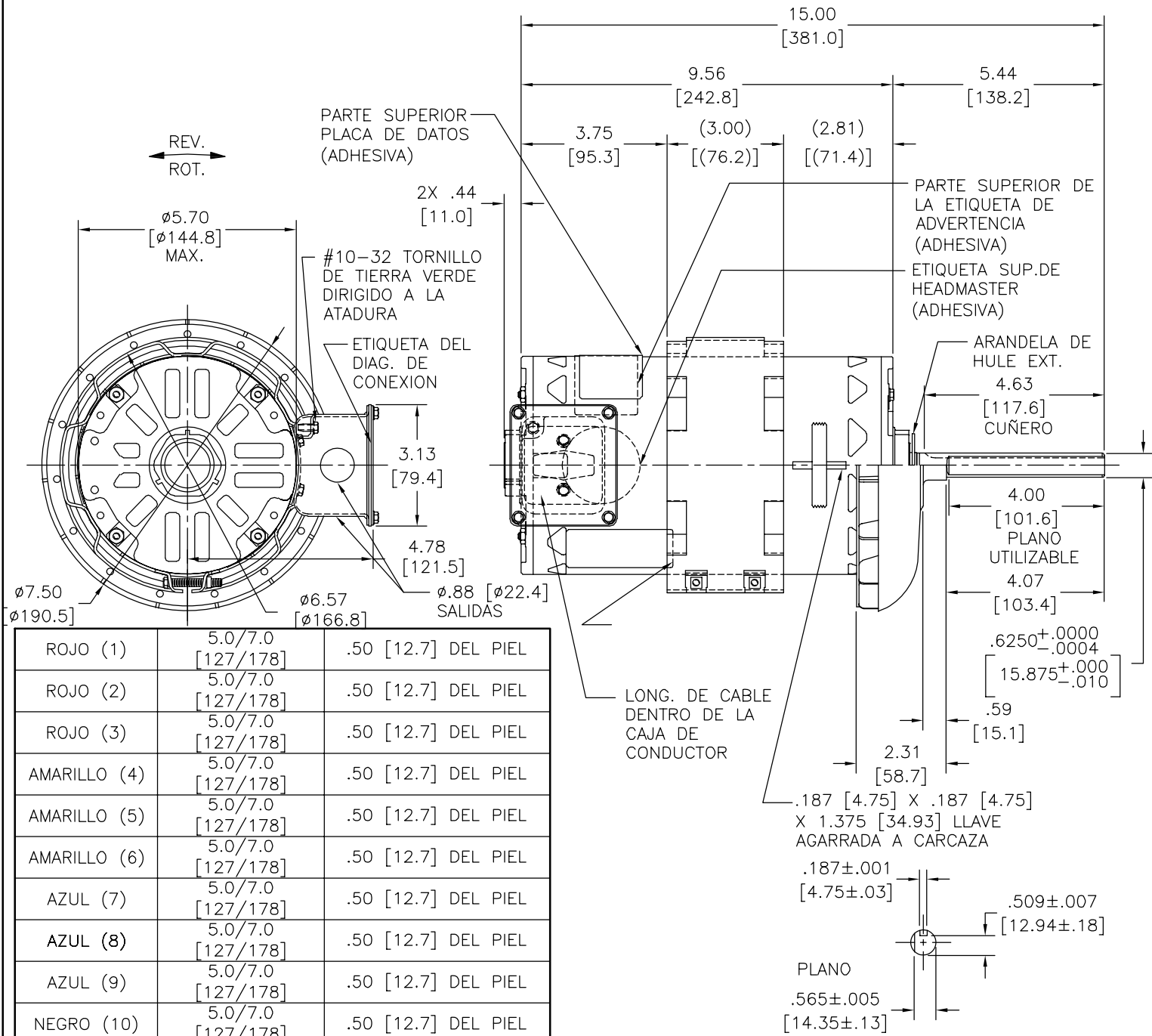
CARACTERISTICAS DE GEOMETRIA Y SIMBOLOS □ PLANICIDAD — RECTITUD ∠ ANGULARIDAD ⊥ PERPENDICULARIDAD (A ESCUADRA) // PARALELISMO ○ REDONDEZ (CIRCULARIDAD) ∅ CILINDRICIDAD △ PERFIL DE CUALQUIER SUPERFICIE ∩ PERFIL DE CUALQUIER LINEA ↗ VARIACION ⊕ POSICION REAL ⊙ CONCENTRICIDAD = SIMETRIA ASME Y14.5M 1994		REGAL-BELOIT CORPORATION (RBC) PROVEE ASISTENCIA TECNICA A NUESTROS CLIENTES EN VARIAS AREAS. DESDE QUE RBC NO RECIBE TODOS LOS DATOS EN RELACION AL USO Y A LA APLICACION DEL MOTOR, LA APLICACION ADECUADA DEL MOTOR DEBE SER DETERMINADA POR EL CLIENTE.  DIMENSIONES SIN TOLERANCIA SON DE REFERENCIA SOLAMENTE
---	--	---

DIBUJADO POR:	TH	04-13-2011
APROBADO POR:	MH	04-13-2011
TERCER ANGULO DE PROYECCION		FECHA EDS: 11-11-2011 REV. FORMATO: H
CONFIDENCIAL: ESTE DIBUJO Y SU INFORMACION SON PROPIEDAD DE USO EXCLUSIVO Y CONFIDENCIAL DE REGAL-BELOIT CORPORATION. Y NO DEBERAN SER REVELADOS, DUPLICADOS, DISTRIBUIDOS O USARSE DE OTRA MANERA SIN EL CONSENTIMIENTO ESCRITO DE REGAL-BELOIT CORPORATION. -TODOS LOS DERECHOS RESERVADOS.		

DE CARCASA - OLE	ABIERTA
DE TAPA - OLE	ABIERTA
DE CARCASA - LE	ABIERTA
DE TAPA - LE	ABIERTA

TIPO DE MOTOR	CLIENTE	DISTRIBUTION SERVICE
---------------	---------	----------------------

<b>REGAL REGAL-BELOIT CORPORATION</b>	
DESCRIPCION: MODEL-RFHP-48FR OUTLINE	
TAMAÑO: C	NUMERO DE DIBUJO: FC3156F
ESCALA: NONE	HOJA: 1

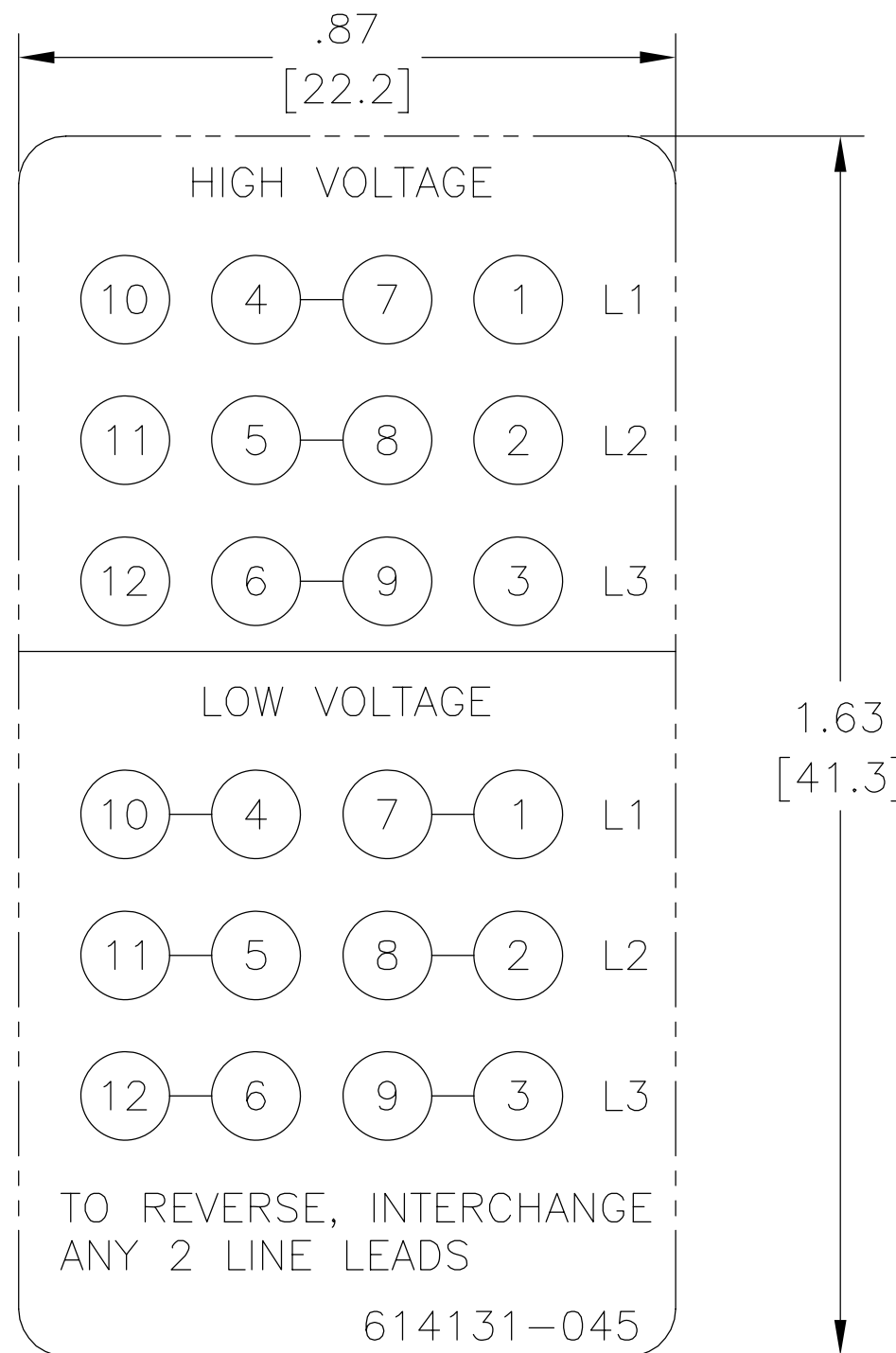


D  
C  
B  
A

D  
C  
B  
A

4 3 2 1

REV	ECO	REV BY	DATE	APPD	DATE
C	0029048	D.RODRIGUEZ	10-18-2012	J.HESS	10-18-2012



NOTES:

1. FOR USE WITH 614129 NAMEPLATE BLANK
2. ———— INDICATES DIMENSION LIMITS
3. DIE TO BE MADE FROM MASTER SUPPLIED BY REGAL
4. DIE MUST PRODUCE A LEGIBLE IMPRESSION.

GEOMETRIC CHARACTERISTICS & SYMBOLS

- ▭ FLATNESS
- STRAIGHTNESS
- ∠ ANGULARITY
- ⊥ PERPENDICULARITY (SQUARENESS)
- // PARALLELISM
- ROUNDNESS (CIRCULARITY)
- ⊘ CYLINDRICITY
- ⌒ PROFILE OF ANY SURFACE
- ⌒ PROFILE OF ANY LINE
- ↗ RUNOUT
- ⊕ TRUE POSITION
- ◎ CONCENTRICITY
- ≡ SYMMETRY

ASME Y14.5M 1994

UNLESS OTHERWISE SPECIFIED  
DIM. TOLERANCES ARE AS FOLLOWS:

INCH	±.1	±.02	±.005	±.0005
mm	±0.5	±0.13	±0.013	

ANG. ±.50 DEG  
REMOVE BURRS & BREAK SHARP EDGES:  
INCH .003-.015 mm 0.1-0.4  
CORNER FILLETS TO:  
INCH .020 mm 0.5  
MACHINE SURFACES:  
INCH 125 mm 3.2

METRIC DIMS. SHOWN IN [BRACKETS]

DR BY:	jrupert	02-03-2009
APPD:	triley	02-03-2009
THIRD ANGLE PROJECTION		EDS DATE 11-11-2011 FORMAT REV H
CONFIDENTIAL: THIS DRAWING AND ITS INFORMATION ARE THE EXCLUSIVE AND CONFIDENTIAL PROPERTY OF REGAL-BELOIT CORPORATION AND ARE NOT TO BE DISCLOSED, DUPLICATED, DISTRIBUTED OR OTHERWISE USED WITHOUT THE WRITTEN CONSENT OF REGAL-BELOIT CORPORATION. -ALL RIGHTS RESERVED.		

		<b>REGAL-BELOIT CORPORATION</b>
DESCRIPTION CONN DIAGRAM EXTERNAL		
SIZE A	DWG NO 614131-045	
SCALE NONE		SHEET 1