

# PRODUCT INFORMATION PACKET



Model No: FC3106F  
Catalog No: FC3106F

HEATMASTER® Condenser Fan Motor, 1 HP, 3 Ph, 60 Hz, 200-230/460 V, 1140 RPM, 1 Speed, 48 Frame, OPEN



Regal and Century are trademarks of Regal Rexnord Corporation or one of its affiliated companies.  
©2023 Regal Rexnord Corporation, All Rights Reserved. MC017097E





**Nameplate Specifications**

Output HP	1 Hp	Output KW	0.75 kW
Frequency	60 Hz	Voltage	200-230/460 V
Current	5.6/2.8 A	Speed	1140 rpm
Service Factor	1	Phase	3
Duty	Air Over	Insulation Class	F
Frame	48Y	Enclosure	Open Enclosed
Thermal Protection	Automatic	Ambient Temperature	70 °C
UL	Recognized	CSA	Y
CE	N	Number of Speeds	1

**Technical Specifications**

Electrical Type	Three Phase	Starting Method	Across The Line
Poles	6	Rotation	Reversible
Mounting	Round Belly Band	Motor Orientation	Vertical Shaft Up
Drive End Bearing	Ball	Opp Drive End Bearing	Ball
Frame Material	Rolled Steel	Shaft Type	Keyed
Overall Length	15.44 in	Frame Length	9.00 in
Shaft Diameter	0.625 in	Shaft Extension	4.07 in
Outline Drawing	FC3106F-S01	Connection Drawing	614131-045

This is an uncontrolled document once printed or downloaded and is subject to change without notice. Date Created:02/16/2023

GENERAL INFORMATION:

SHAFT RUNOUT: .001 [.03] T.I.R. PER INCH LENGTH OF EXTENSION

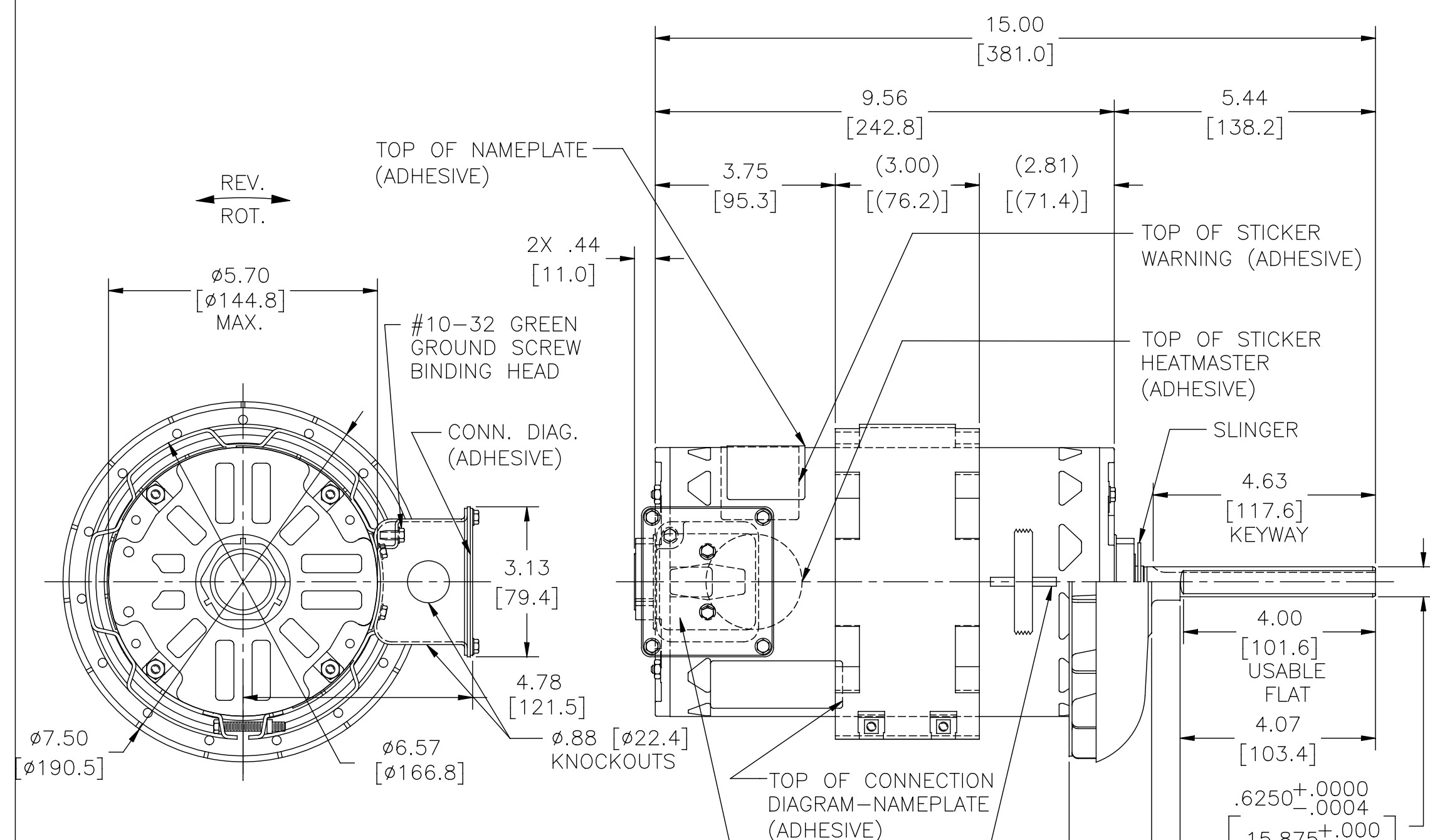
BEARINGS: BALL

MOUNTING POSITION: VERTICAL SHAFT UP

ELECTRICAL DATA:

OVERLOAD PROTECTOR: AUTOMATIC RESET (SPENCER MWJ57JR)

LEADS: NO. 18 GA., .03 [.8] THK. XLP 125°C INSUL.



COLOR	LENGTH	TERMINAL OR STRIP LENGTH
RED (1)	5.0/7.0 [127/178]	.50 [12.7] SKIN
RED (2)	5.0/7.0 [127/178]	.50 [12.7] SKIN
RED (3)	5.0/7.0 [127/178]	.50 [12.7] SKIN
YELLOW (4)	5.0/7.0 [127/178]	.50 [12.7] SKIN
YELLOW (5)	5.0/7.0 [127/178]	.50 [12.7] SKIN
YELLOW (6)	5.0/7.0 [127/178]	.50 [12.7] SKIN
BLUE (7)	5.0/7.0 [127/178]	.50 [12.7] SKIN
BLUE (8)	5.0/7.0 [127/178]	.50 [12.7] SKIN
BLUE (9)	5.0/7.0 [127/178]	.50 [12.7] SKIN
BLACK (10)	5.0/7.0 [127/178]	.50 [12.7] SKIN
BLACK (11)	5.0/7.0 [127/178]	.50 [12.7] SKIN
BLACK (12)	5.0/7.0 [127/178]	.50 [12.7] SKIN

NAMEPLATE DATA:	EXTERNAL CONNECTION DIAGRAM
MODEL NO.: P48A95A01 CUST. P/N: FC3106F HP: 1 ROT.: REVERSIBLE RPM: 1140 TYPE: UAP FRAME: 48Y VOLTS: 200-230/460 PH: 3 AMPS: 5.6/2.8 HZ: 60 INS.: F AMB.: 70° C DUTY: AIR OVER CAP.: - ENCL: OPEN UL LOGO CSA LOGO THERMALLY PROTECTED TYPE T	<p>HIGH VOLTAGE</p> <p>10 4 7 1 L1</p> <p>11 5 8 2 L2</p> <p>12 6 9 3 L3</p> <hr/> <p>LOW VOLTAGE</p> <p>10 4 7 1 L1</p> <p>11 5 8 2 L2</p> <p>12 6 9 3 L3</p> <p>TO REVERSE, INTERCHANGE ANY 2 LINE LEADS</p> <p>614131-045</p>

PERFORMANCE CURVE NO.	TORQUE @ 1120 RPM (25°C)	APPROVED SAMPLE	UL COMPONENT FILE #	CCN #	CSA FILE #	CLASS #
C21357	114.2 OZ. FT.	0701418A	E46412	PRGY2	LR43341	4211-01

REGAL-BELOIT CORPORATION (RBC) PROVIDES TECHNICAL ASSISTANCE TO OUR CUSTOMERS IN SEVERAL AREAS. SINCE RBC DOES NOT RECEIVE ALL DATA CONCERNING THE USE AND APPLICATION OF THE MOTOR, THE SUITABILITY OF THE MOTOR FOR THE APPLICATION MUST BE DETERMINED BY THE CUSTOMER.

DIMENSIONS WITHOUT TOLERANCES ARE FOR REFERENCE ONLY.

ENCLOSURE	CUSTOMER	DISTRIBUTION SERVICE
MAIN FRAME - OLE	OPEN	
END FRAME - OLE	OPEN	
MAIN FRAME - LE	OPEN	
END FRAME - LE	OPEN	

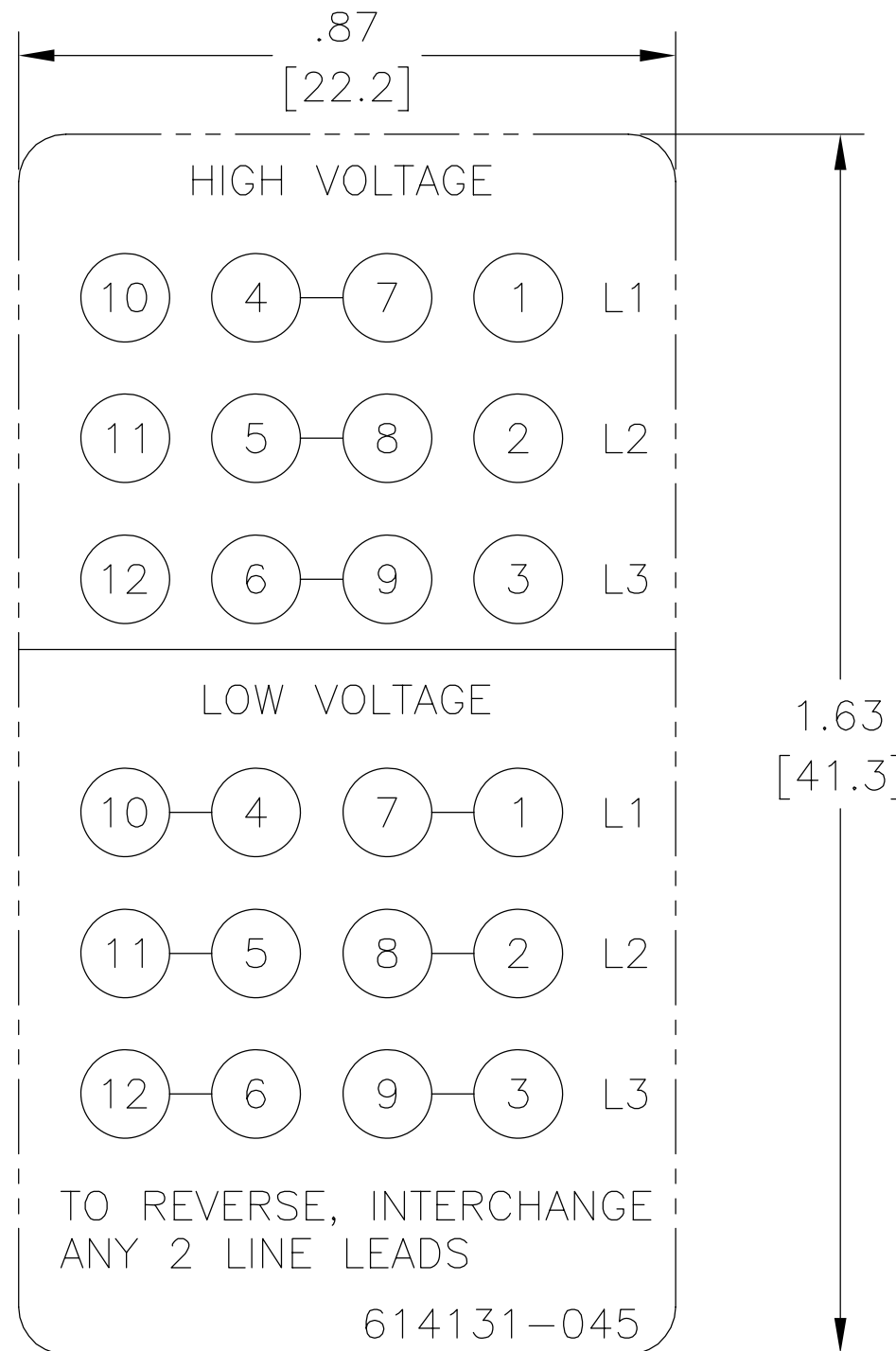
DRAWING REVISION	REVISION BY	DATE
D	B.JI	12-08-2016
ECO	APPROVED BY C.ZHOU	DATE 12-08-2016
ECO-0113834		

ECO DESCRIPTION  
REMOVED CHINESE AND SPANISH LAYERS

COPYRIGHT REGAL-BELOIT AMERICA, INC. ALL RIGHTS RESERVED. PROPRIETARY AND CONFIDENTIAL INFORMATION - THIS DOCUMENT IS THE PROPERTY OF REGAL-BELOIT AMERICA, INC. (OWNER) AND CONTAINS OWNER'S PROPRIETARY INFORMATION. ANY PERSON, CORPORATION OR OTHER FIRM RECEIVING IT IS DEEMED, BY RECEIVING IT, TO AGREE THAT IT, AND/OR ANY PART OF IT, SHALL NOT BE DISCLOSED TO ANY PERSON, CORPORATION OR OTHER ENTITY, DUPLICATED, AND/OR USED, EXCEPT AS EXPRESSLY APPROVED IN WRITING IN ADVANCE BY OWNER. THIS DOCUMENT SHALL BE RETURNED TO OWNER UPON REQUEST. IT MAY BE SUBJECT TO CERTAIN RESTRICTIONS UNDER APPLICABLE EXPORT CONTROL LAWS AND REGULATIONS.

DRAWN BY:	REGAL™	REGAL BELLOIT AMERICA, INC.
SRECKERS		
DATE: 09-27-2007		
APPROVED BY: CBRANHAM		
DATE: 09-27-2007		
PROCESS/FINISH		
THIRD ANGLE PROJECTION	SIZE DWG NO	SHEET
	C FC3106F	1

REV	ECO	REV BY	DATE	APPD	DATE
C	0029048	D.RODRIGUEZ	10-18-2012	J.HESS	10-18-2012



NOTES:

1. FOR USE WITH 614129 NAMEPLATE BLANK
2. — — — — — INDICATES DIMENSION LIMITS
3. DIE TO BE MADE FROM MASTER SUPPLIED BY REGAL
4. DIE MUST PRODUCE A LEGIBLE IMPRESSION.

GEOMETRIC CHARACTERISTICS & SYMBOLS

- ▭ FLATNESS
- STRAIGHTNESS
- ∠ ANGULARITY
- ⊥ PERPENDICULARITY (SQUARENESS)
- // PARALLELISM
- ROUNDNESS (CIRCULARITY)
- ⊘ CYLINDRICITY
- ⌒ PROFILE OF ANY SURFACE
- ⌒ PROFILE OF ANY LINE
- ↗ RUNOUT
- ⊕ TRUE POSITION
- ◎ CONCENTRICITY
- ≡ SYMMETRY

ASME Y14.5M 1994

UNLESS OTHERWISE SPECIFIED  
DIM. TOLERANCES ARE AS FOLLOWS:

INCH	±.1	±.02	±.005	±.0005
mm	±0.5	±0.13	±0.013	

ANG. ±.50 DEG

REMOVE BURRS & BREAK SHARP EDGES:  
INCH .003-.015 mm 0.1-0.4

CORNER FILLETS TO:  
INCH .020 mm 0.5

MACHINE SURFACES:  
INCH 125 mm 3.2

METRIC DIMS. SHOWN IN [BRACKETS]

DR BY:	jrupert	02-03-2009
APPD:	triley	02-03-2009
THIRD ANGLE PROJECTION		EDS DATE 11-11-2011 FORMAT REV H
CONFIDENTIAL: THIS DRAWING AND ITS INFORMATION ARE THE EXCLUSIVE AND CONFIDENTIAL PROPERTY OF REGAL-BELOIT CORPORATION AND ARE NOT TO BE DISCLOSED, DUPLICATED, DISTRIBUTED OR OTHERWISE USED WITHOUT THE WRITTEN CONSENT OF REGAL-BELOIT CORPORATION. -ALL RIGHTS RESERVED.		

<b>REGAL-BELOIT CORPORATION</b>	
DESCRIPTION CONN DIAGRAM EXTERNAL	
SIZE A	DWG NO 614131-045
SCALE NONE	SHEET 1