

PRODUCT INFORMATION PACKET



Model No: FC1106F
Catalog No: FC1106F

HEATMASTER® Condenser Fan Motor, 1 HP, 1 Ph, 60 Hz, 200-230/460 V, 1075 RPM, 1 Speed, 48 Frame, OPEN



Regal and Century are trademarks of Regal Rexnord Corporation or one of its affiliated companies.

©2023 Regal Rexnord Corporation, All Rights Reserved. MC017097E





Nameplate Specifications

Output HP	1 Hp	Output KW	0.75 kW
Frequency	60 Hz	Voltage	200-230/460 V
Current	6.4/3.2 A	Speed	1075 rpm
Service Factor	1	Phase	1
Duty	Air Over	Insulation Class	F
Frame	48Y	Enclosure	Open Enclosed
Thermal Protection	Automatic	Ambient Temperature	70 °C
UL	Recognized	CSA	Y
CE	N	Number of Speeds	1

Technical Specifications

Electrical Type	Permanent Split Capacitor	Starting Method	Across The Line
Poles	6	Rotation	Reversible
Mounting	Round Belly Band	Motor Orientation	Vertical Shaft Up
Drive End Bearing	Ball	Opp Drive End Bearing	Ball
Frame Material	Rolled Steel	Shaft Type	Keyed
Overall Length	15.44 in	Frame Length	9.00 in
Shaft Diameter	0.625 in	Shaft Extension	4.07 in
Outline Drawing	FC1106F-S01	Connection Drawing	614131-060

This is an uncontrolled document once printed or downloaded and is subject to change without notice. Date Created:02/16/2023

GENERAL INFORMATION:

SHAFT RUNOUT: .001 [.03] T.I.R. PER INCH LENGTH OF EXTENSION

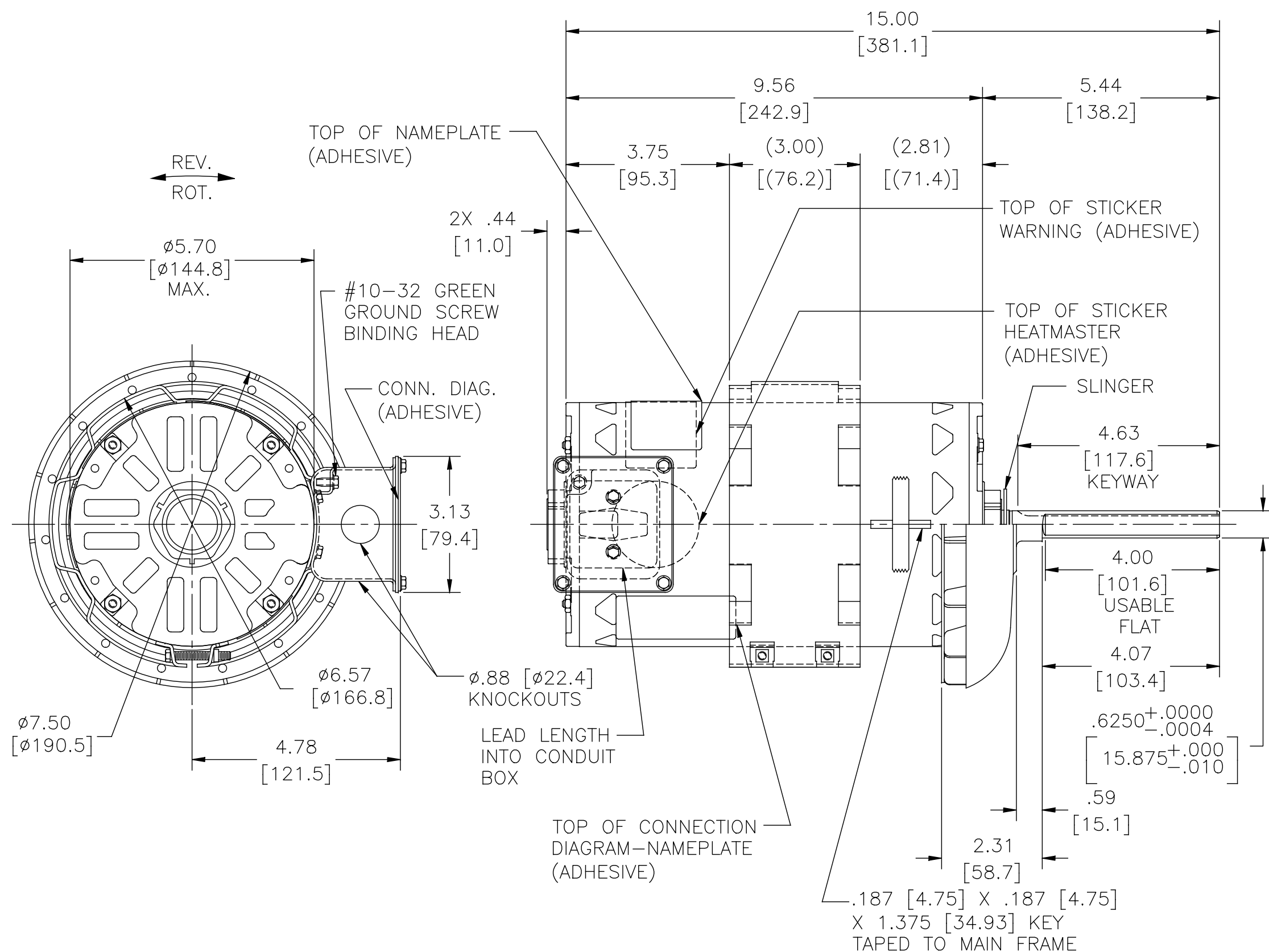
BEARINGS: BALL

MOUNTING POSITION: VERTICAL SHAFT UP

ELECTRICAL DATA:

OVERLOAD PROTECTOR: AUTOMATIC RESET (SENSATA 7AM 304)

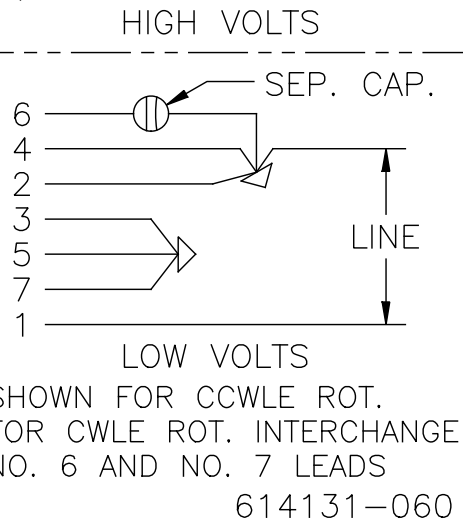
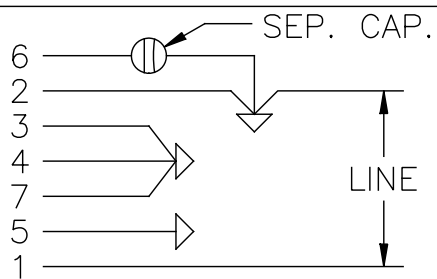
LEADS: NO. 18 GA., .03 [.8] THK. XLP 125°C INSUL.



NAMEPLATE DATA:

MODEL NO.: F48Z99A01
 CUST. P/N: FC1106F
 HP: 1
 ROT.: REVERSIBLE
 RPM: 1075
 TYPE: UAF
 FRAME: 48Y
 VOLTS: 200-230/460
 PH: 1
 AMPS: 6.4/3.2
 HZ: 60
 INS.: F
 AMB.: 70° C
 DUTY: AIR OVER
 CAP.: 25 MFD/370 V
 ENCL: OPEN
 UL LOGO
 CSA LOGO
 THERMALLY PROTECTED
 TYPE T

EXTERNAL CONNECTION DIAGRAM



614131-060

PERFORMANCE CURVE NO.	TORQUE @ 1075 RPM (25°C)	APPROVED SAMPLE	UL COMPONENT		CSA	
			FILE #	CCN #	FILE #	CLASS #
C16535	97.1 OZ. FT.	0701428B	E46412	PRGY2	LR43341	4211-01

RED (1)	5.0/7.0 [127/178]	.50 [12.7] SKIN
RED (2)	5.0/7.0 [127/178]	.50 [12.7] SKIN
RED (3)	5.0/7.0 [127/178]	.50 [12.7] SKIN
YELLOW (4)	5.0/7.0 [127/178]	.50 [12.7] SKIN
YELLOW (5)	5.0/7.0 [127/178]	.50 [12.7] SKIN
YELLOW (6)	5.0/7.0 [127/178]	.50 [12.7] SKIN
BLUE (7)	5.0/7.0 [127/178]	.50 [12.7] SKIN
COLOR	LENGTH	TERMINAL OR STRIP LENGTH

REGAL-BELOIT CORPORATION (RBC) PROVIDES TECHNICAL ASSISTANCE TO OUR CUSTOMERS IN SEVERAL AREAS. SINCE RBC DOES NOT RECEIVE ALL DATA CONCERNING THE USE AND APPLICATION OF THE MOTOR, THE SUITABILITY OF THE MOTOR FOR THE APPLICATION MUST BE DETERMINED BY THE CUSTOMER.

DIMENSIONS WITHOUT TOLERANCES ARE FOR REFERENCE ONLY.

MAIN FRAME - OLE	OPEN
END FRAME - OLE	OPEN
MAIN FRAME - LE	OPEN
END FRAME - LE	OPEN

CUSTOMER	DISTRIBUTION SERVICE
----------	----------------------

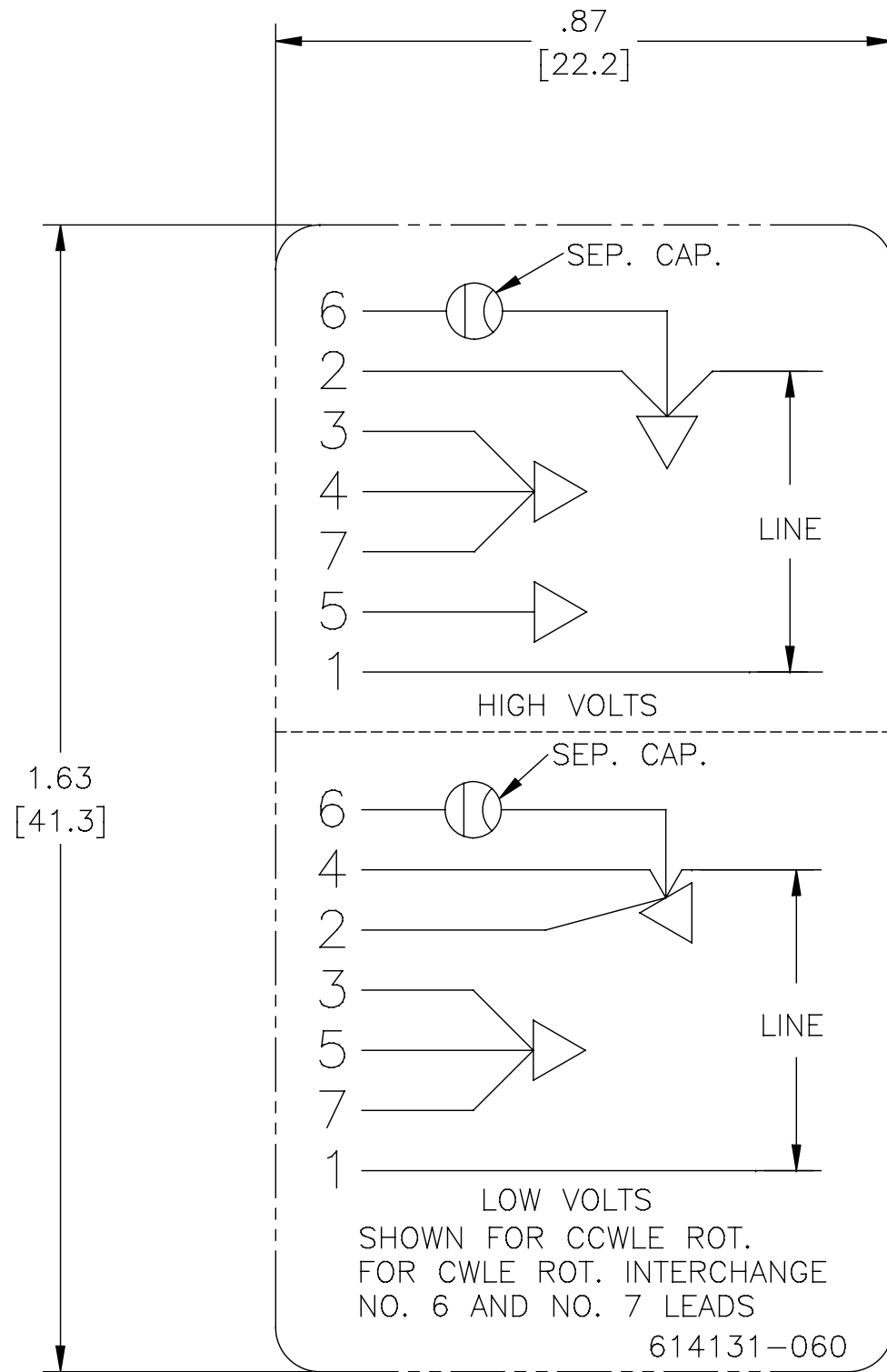
DRAWING REVISION	REVISION BY	DATE
D	C.ZHOU	12-08-2016
ECO	APPROVED BY D.LI	DATE 12-08-2016
ECO-0113485		

ECO DESCRIPTION
 REMOVED CHINESE AND SPANISH LAYERS

COPYRIGHT REGAL-BELOIT AMERICA, INC. ALL RIGHTS RESERVED. PROPRIETARY AND CONFIDENTIAL INFORMATION - THIS DOCUMENT IS THE PROPERTY OF REGAL-BELOIT AMERICA, INC. (OWNER) AND CONTAINS OWNER'S PROPRIETARY INFORMATION. ANY PERSON, CORPORATION OR OTHER FIRM RECEIVING IT IS DEEMED, BY RECEIVING IT, TO AGREE THAT IT, AND/OR ANY PART OF IT, SHALL NOT BE DISCLOSED TO ANY PERSON, CORPORATION OR OTHER ENTITY, DUPLICATED, AND/OR USED, EXCEPT AS EXPRESSLY APPROVED IN WRITING IN ADVANCE BY OWNER. THIS DOCUMENT SHALL BE RETURNED TO OWNER UPON REQUEST. IT MAY BE SUBJECT TO CERTAIN RESTRICTIONS UNDER APPLICABLE EXPORT CONTROL LAWS AND REGULATIONS.

ENCLOSURE	
DRAWN BY: CHERRY.ZHANG	
DATE: 03-28-2011	
APPROVED BY: TIGER.WANG	
DATE: 03-28-2011	
PROCESS/FINISH:	
THIRD ANGLE PROJECTION	

REGAL™ Regal Beloit America, Inc.	
DESCRIPTION	MODEL-RFHP-48FR OUTLINE
MATERIAL	
SIZE	DWG NO FC1106F
SHEET	1



NOTES:

1. FOR USE WITH 614129 NAMEPLATE BLANK(OR 2513020-001 NAMEPLATE BLANKS)
2. ——— INDICATES DIMENSION LIMITS

DRAWING REVISION C	REVISION BY C.ZHOU	DATE 07-30-2015	TOLERANCES UNLESS OTHERWISE SPECIFIED	DRAWN BY: Cherry.Zhang	Regal Beloit America, Inc.
ECO 0082510	APPROVED BY C.ZHANG	DATE 07-30-2015	DEC. INCH mm ANGLE .XX ±0.02 [±0.13] ±0.5° .XXX ±0.005 [±0.013] .XXXX ±0.0005 [±0.0013]	DATE: 03-28-2011	
ECO DESCRIPTION @ZONE B3 ADD REVERSING TEXT			REMOVE BURRS & BREAK SHARP EDGES .003/.015 [0.08/.38] CORNER FILLETS .02 [.5]	APPROVED BY: Tiger.Wang	DESCRIPTION CONN DIAGRAM-NAMEPLATE
<small>COPYRIGHT REGAL BELOIT AMERICA, INC. ALL RIGHTS RESERVED. PROPRIETARY AND CONFIDENTIAL INFORMATION - THIS DOCUMENT IS THE PROPERTY OF REGAL BELOIT AMERICA, INC. (OWNER) AND CONTAINS OWNER'S PROPRIETARY INFORMATION. ANY PERSON, CORPORATION OR OTHER FIRM RECEIVING IT IS DEEMED, BY RECEIVING IT, TO AGREE THAT IT, AND/OR ANY PART OF IT, SHALL NOT BE DISCLOSED TO ANY PERSON, CORPORATION OR OTHER ENTITY, DUPLICATED, AND/OR USED, EXCEPT AS EXPRESSLY APPROVED IN WRITING IN ADVANCE BY OWNER. THIS DOCUMENT SHALL BE RETURNED TO OWNER UPON REQUEST. IT MAY BE SUBJECT TO CERTAIN RESTRICTIONS UNDER APPLICABLE EXPORT CONTROL LAWS AND REGULATIONS.</small>			MACHINED SURFACES 125/INCH 3.2/mm mm SHOWN IN [BRACKETS]	DATE: 03-28-2011	MATERIAL
			THIRD ANGLE PROJECTION	REFERENCE	PROCESS/FINISH
			SIZE DWG NO C 614131-060		SHEET 1