

# PRODUCT INFORMATION PACKET



Model No: FC1066F  
Catalog No: FC1066F  
HEATMASTER® Condenser Fan Motor, .6 HP, 1 Ph, 60 Hz, 200-230/460 V, 1075 RPM, 1 Speed, 48 Frame,  
SEMI ENCLOSED



Regal and Century are trademarks of Regal Rexnord Corporation or one of its affiliated companies.  
©2023 Regal Rexnord Corporation, All Rights Reserved. MC017097E





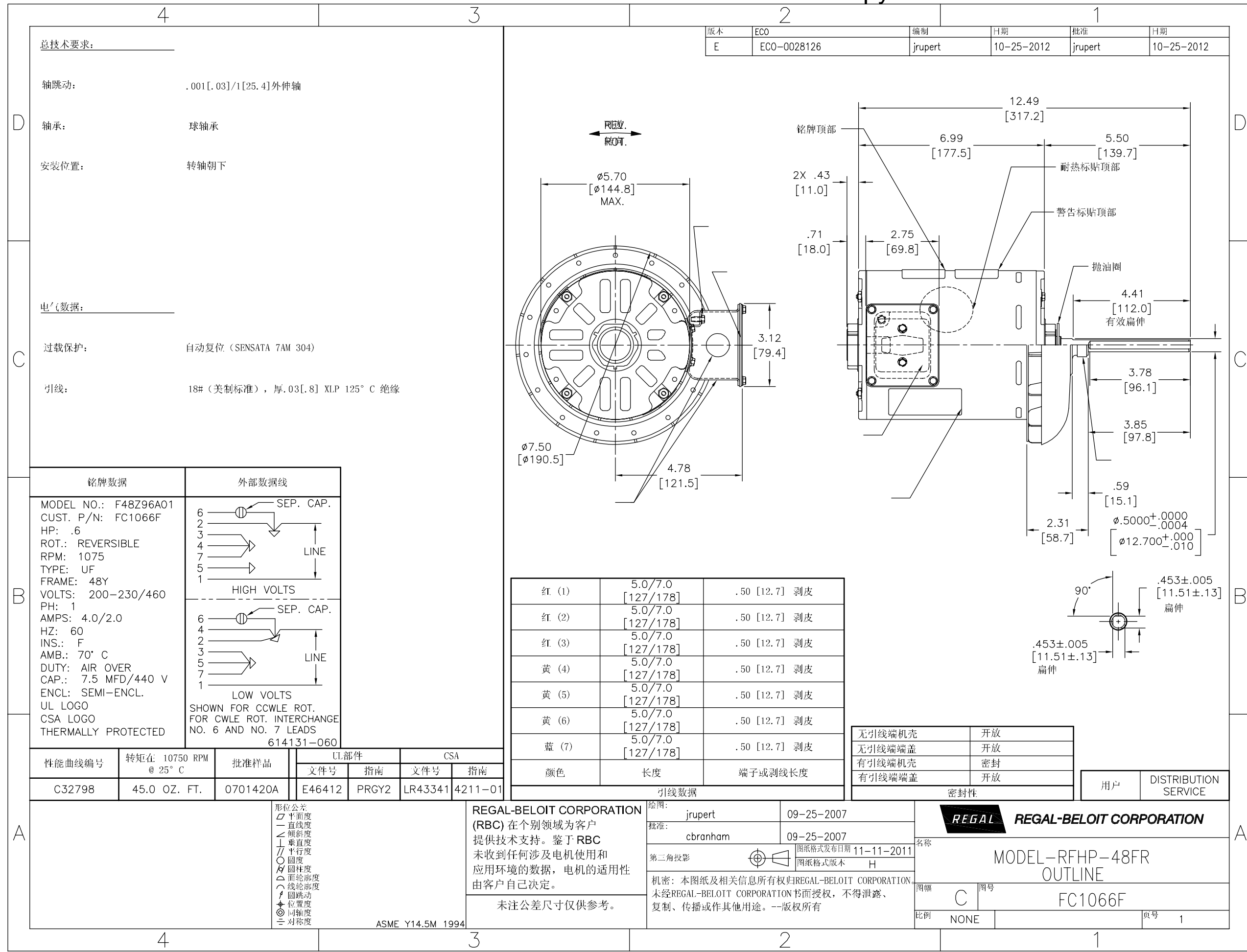
**Nameplate Specifications**

Phase	1	Output HP	.6 Hp
Output KW	0.45 kW	Voltage	200-230/460 V
Speed	1075 rpm	Service Factor	1
Frame	48Y	Enclosure	Semi Enclosed
Thermal Protection	Automatic	Ambient Temperature	70 °C
Frequency	60 Hz	Current	4.0/2.0 A
Duty	Air Over	Insulation Class	F
UL	Recognized	CSA	Y
CE	N	Number of Speeds	1

**Technical Specifications**

Electrical Type	Permanent Split Capacitor	Starting Method	Across The Line
Poles	6	Rotation	Reversible
Mounting	Round Belly Band	Motor Orientation	Vertical Shaft Up
Drive End Bearing	Ball	Opp Drive End Bearing	Ball
Frame Material	Rolled Steel	Shaft Type	Double Flat
Overall Length	12.92 in	Frame Length	6.38 in
Shaft Diameter	0.500 in	Shaft Extension	3.78 in
Outline Drawing	FC1066F-S01	Connection Drawing	614131-060

This is an uncontrolled document once printed or downloaded and is subject to change without notice. Date Created:08/24/2023



总技术要求:

轴跳动: .001[.03]/1[25.4]外伸轴

轴承: 球轴承

安装位置: 转轴朝下

电气数据:

过载保护: 自动复位 (SENSATA 7AM 304)

引线: 18# (美制标准), 厚.03[.8] XLP 125° C 绝缘

铭牌数据	外部数据线
MODEL NO.: F48Z96A01 CUST. P/N: FC1066F HP: .6 ROT.: REVERSIBLE RPM: 1075 TYPE: UF FRAME: 48Y VOLTS: 200-230/460 PH: 1 AMPS: 4.0/2.0 HZ: 60 INS.: F AMB.: 70° C DUTY: AIR OVER CAP.: 7.5 MFD/440 V ENCL: SEMI-ENCL. UL LOGO CSA LOGO THERMALLY PROTECTED	<p>SEP. CAP.</p> <p>6 2 3 4 5 7 1</p> <p>LINE</p> <p>HIGH VOLTS</p> <p>SEP. CAP.</p> <p>6 4 2 3 5 7 1</p> <p>LINE</p> <p>LOW VOLTS</p> <p>SHOWN FOR CCWLE ROT. FOR CWLE ROT. INTERCHANGE NO. 6 AND NO. 7 LEADS 614131-060</p>

颜色	长度	端子或剥线长度
红 (1)	5.0/7.0 [127/178]	.50 [12.7] 剥皮
红 (2)	5.0/7.0 [127/178]	.50 [12.7] 剥皮
红 (3)	5.0/7.0 [127/178]	.50 [12.7] 剥皮
黄 (4)	5.0/7.0 [127/178]	.50 [12.7] 剥皮
黄 (5)	5.0/7.0 [127/178]	.50 [12.7] 剥皮
黄 (6)	5.0/7.0 [127/178]	.50 [12.7] 剥皮
蓝 (7)	5.0/7.0 [127/178]	.50 [12.7] 剥皮

无引线端机壳	密封性
无引线端端盖	开放
有引线端机壳	密封
有引线端端盖	开放

用户	DISTRIBUTION SERVICE

性能曲线编号	转矩在 10750 RPM @ 25° C	批准样品	UL部件		CSA	
文件号	指南	文件号	指南	文件号	指南	
C32798	45.0 OZ. FT.	0701420A	E46412	PRGY2	LR43341	4211-01

形位公差
□ 平面度
— 直线度
∠ 倾斜度
⊥ 垂直度
∥ 平行度
○ 圆度
⊘ 圆柱度
⊙ 面轮廓度
⌒ 线轮廓度
⊖ 圆跳动
⊕ 位置度
⊙ 同轴度
≡ 对称度

REGAL-BELOIT CORPORATION (RBC) 在个别领域为客户提供技术支持。鉴于 RBC 未收到任何涉及电机使用和应用环境的数据, 电机的适用性由客户自己决定。

未注公差尺寸仅供参考。

ASME Y14.5M 1994

绘图:	批准:	第二角投影	图密:
jrupert	cbranham		本图纸及相关信息所有权归REGAL-BELOIT CORPORATION。未经REGAL-BELOIT CORPORATION书面授权, 不得泄露、复制、传播或作其他用途。--版权所有
09-25-2007	09-25-2007	图纸格式发布日期 11-11-2011 图纸格式版本 H	

REGAL-BELOIT CORPORATION	
名称	MODEL-RFHP-48FR OUTLINE
图号	FC1066F
比例	NONE
页号	1

4 3 2 1

**GENERAL INFORMATION:**

SHAFT RUNOUT: .001 [.03] T.I.R. PER INCH LENGTH OF EXTENSION

BEARINGS: BALL

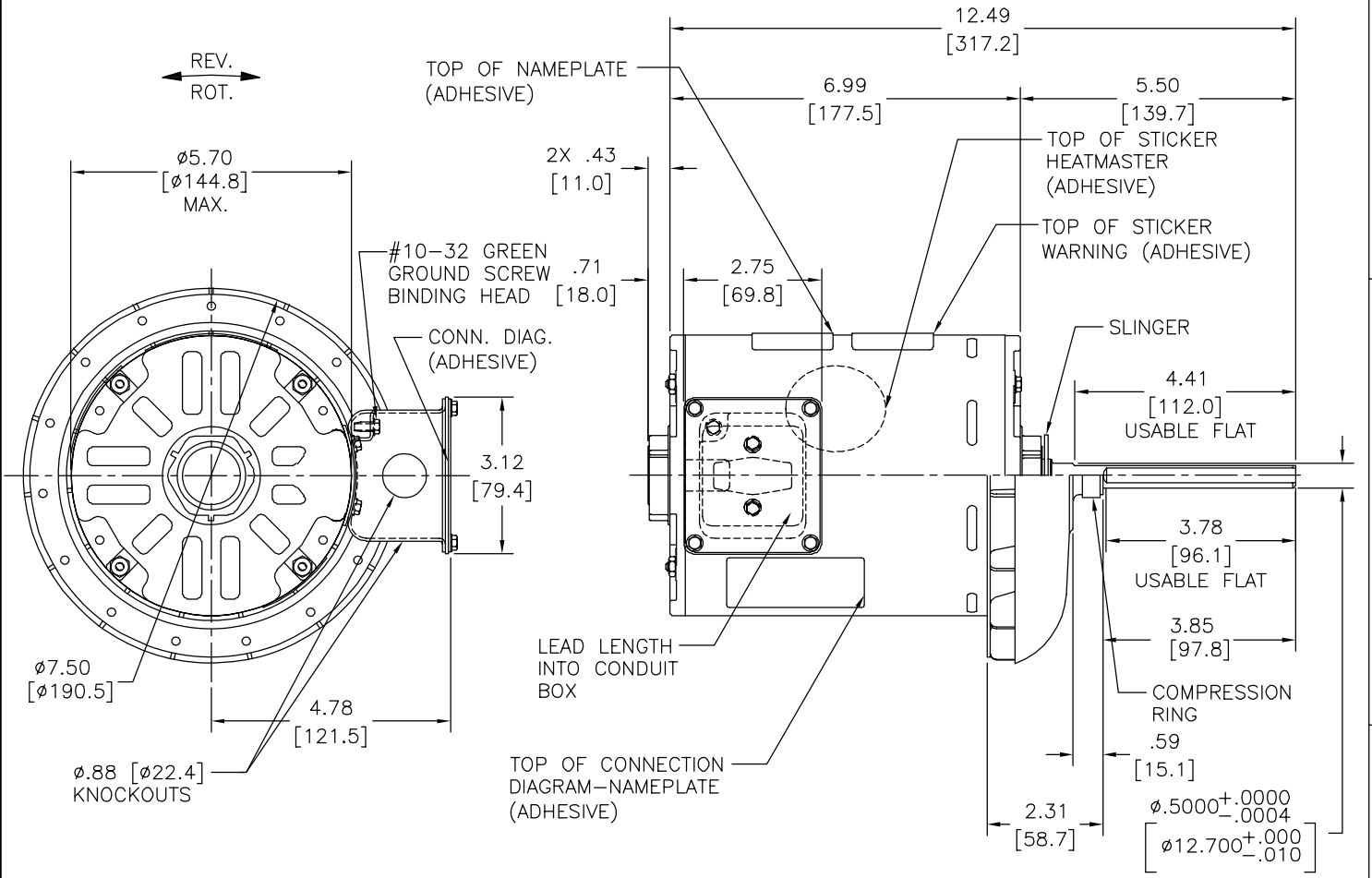
MOUNTING POSITION: VERTICAL SHAFT UP

**ELECTRICAL DATA:**

OVERLOAD PROTECTOR: AUTOMATIC RESET (SENSATA 7AM 304)

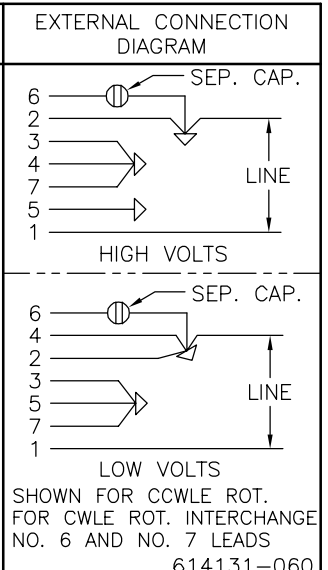
LEADS: NO. 18 GA., .03 [.8] THK. XLP 125°C INSUL.

REV	ECO	REV BY	DATE	APPD	DATE
E	ECO-0028126	jrupert	10-25-2012	jrupert	10-25-2012



**NAMEPLATE DATA:**

MODEL NO.: F48Z96A01  
 CUST. P/N: FC1066F  
 HP: .6  
 ROT.: REVERSIBLE  
 RPM: 1075  
 TYPE: UF  
 FRAME: 48Y  
 VOLTS: 200-230/460  
 PH: 1  
 AMPS: 4.0/2.0  
 HZ: 60  
 INS.: F  
 AMB.: 70° C  
 DUTY: AIR OVER  
 CAP.: 7.5 MFD/440 V  
 ENCL: SEMI-ENCL.  
 UL LOGO  
 CSA LOGO  
 THERMALLY PROTECTED



COLOR	LENGTH	TERMINAL OR STRIP LENGTH
RED (1)	5.0/7.0 [127/178]	.50 [12.7] SKIN
RED (2)	5.0/7.0 [127/178]	.50 [12.7] SKIN
RED (3)	5.0/7.0 [127/178]	.50 [12.7] SKIN
YELLOW (4)	5.0/7.0 [127/178]	.50 [12.7] SKIN
YELLOW (5)	5.0/7.0 [127/178]	.50 [12.7] SKIN
YELLOW (6)	5.0/7.0 [127/178]	.50 [12.7] SKIN
BLUE (7)	5.0/7.0 [127/178]	.50 [12.7] SKIN

MAIN FRAME - OLE	OPEN
END FRAME - OLE	OPEN
MAIN FRAME - LE	ENCLOSED
END FRAME - LE	OPEN

CUSTOMER	DISTRIBUTION SERVICE
----------	----------------------

PERFORMANCE CURVE NO.	TORQUE @ 1075 RPM (25°C)	APPROVED SAMPLE	UL COMPONENT FILE #	CCN #	CSA FILE #	CLASS #
C32798	45.0 OZ. FT.	0701420A	E46412	PRGY2	LR43341	4211-01

**GEOMETRIC CHARACTERISTICS & SYMBOLS**

- ▮ FLATNESS
- STRAIGHTNESS
- ∠ ANGULARITY
- ⊥ PERPENDICULARITY (SQUARENESS)
- ∥ PARALLELISM
- ROUNDNESS (CIRCULARITY)
- ⊘ CYLINDRICITY
- △ PROFILE OF ANY SURFACE
- ⌒ PROFILE OF ANY LINE
- ↗ RUNOUT
- ⊕ TRUE POSITION
- ⊙ CONCENTRICITY
- ≡ SYMMETRY

ASME Y14.5M 1994

REGAL-BELOIT CORPORATION (RBC) PROVIDES TECHNICAL ASSISTANCE TO OUR CUSTOMERS IN SEVERAL AREAS. SINCE RBC DOES NOT RECEIVE ALL DATA CONCERNING THE USE AND APPLICATION OF THE MOTOR, THE SUITABILITY OF THE MOTOR FOR THE APPLICATION MUST BE DETERMINED BY THE CUSTOMER.

DIMENSIONS WITHOUT TOLERANCES ARE FOR REFERENCE ONLY.

DR BY: jrupert 09-25-2007

APPD: cbranham 09-25-2007

THIRD ANGLE PROJECTION

EDS DATE 11-11-2011  
 FORMAT REV H

CONFIDENTIAL: THIS DRAWING AND ITS INFORMATION ARE THE EXCLUSIVE AND CONFIDENTIAL PROPERTY OF REGAL-BELOIT CORPORATION AND ARE NOT TO BE DISCLOSED, DUPLICATED, DISTRIBUTED OR OTHERWISE USED WITHOUT THE WRITTEN CONSENT OF REGAL-BELOIT CORPORATION. -ALL RIGHTS RESERVED.

**REGAL REGAL-BELOIT CORPORATION**

DESCRIPTION: MODEL-RFHP-48FR OUTLINE

SIZE C DWG NO FC1066F

SCALE NONE SHEET 1

4 3 2 1

4 3 2 1

INFORMACION GENERAL:

OSCILACION DE FLECHA: .001 [.03] T.I.R. PER INCH LENGTH OF EXTENSION

BALEROS: BALERO

POSICION DEL MONTAJE: FLECHA VERTICAL ENCIMA DE

INFORMACION ELECTRICA:

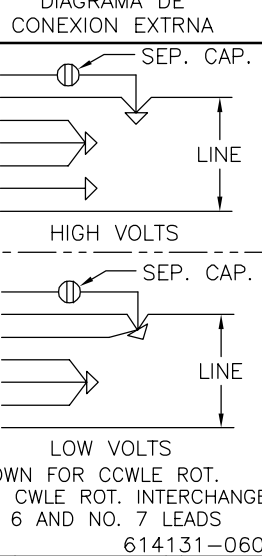
SOBRECARGA DEL PROTECTOR: REINICIO AUTOMATIC (SENSATA 7AM 304)

CABLES: NO. 18 GA., .03 [.8] THK. XLP 125°C AISLAM.

REVISION:	ECO	REVISADO POR:	FECHA:	APROBADO POR:	FECHA:
E	ECO-0028126	jrupert	10-25-2012	jrupert	10-25-2012

INFORMACION DE ETIQUETA:

MODEL NO.: F48Z96A01  
 CUST. P/N: FC1066F  
 HP: .6  
 ROT.: REVERSIBLE  
 RPM: 1075  
 TYPE: UF  
 FRAME: 48Y  
 VOLTS: 200-230/460  
 PH: 1  
 AMPS: 4.0/2.0  
 HZ: 60  
 INS.: F  
 AMB.: 70° C  
 DUTY: AIR OVER  
 CAP.: 7.5 MFD/440 V  
 ENCL: SEMI-ENCL.  
 UL LOGO  
 CSA LOGO  
 THERMALLY PROTECTED



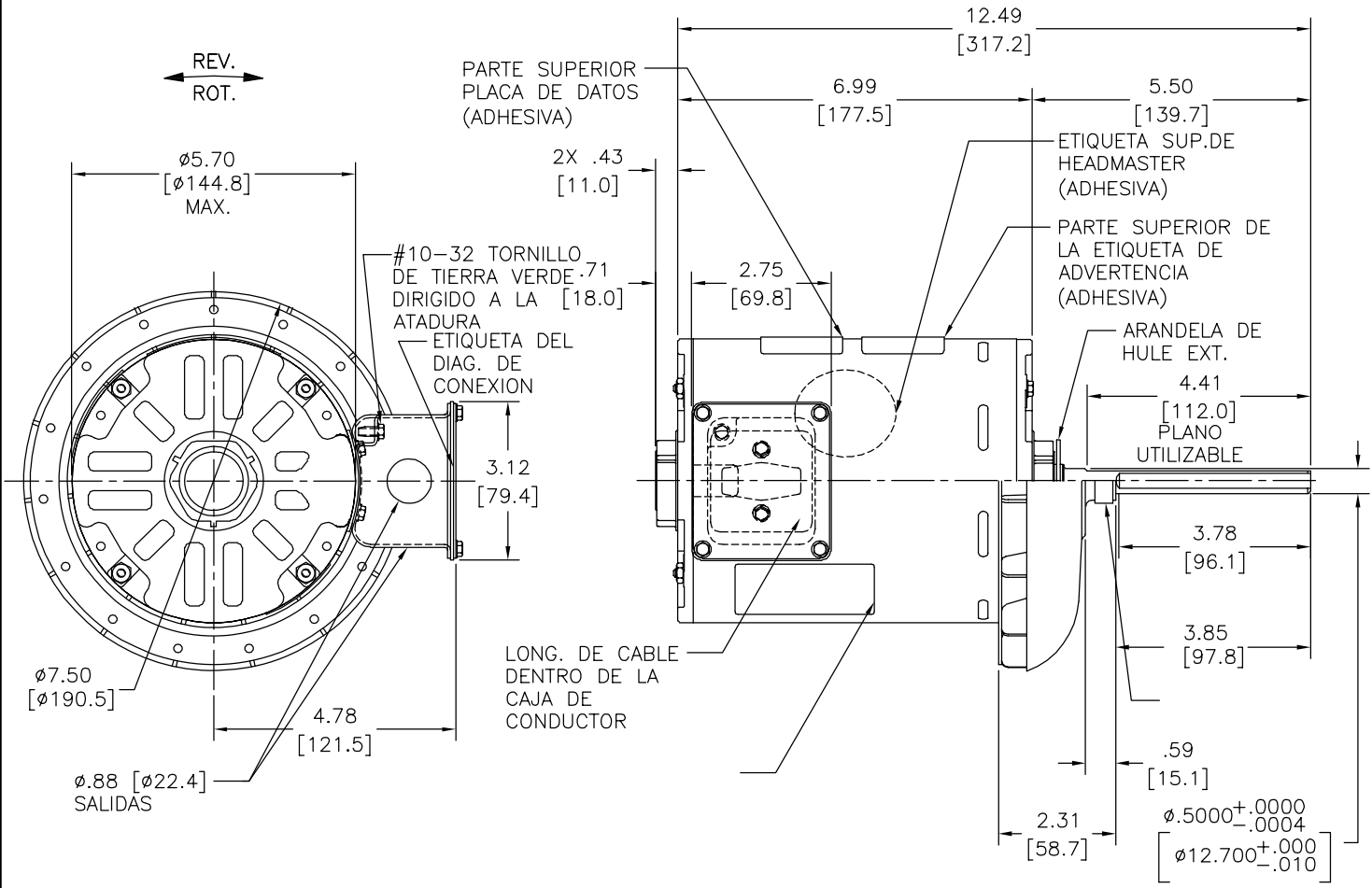
CURVAS DE FUNCIONAMIENTO	TORSION @ 1075 RPM (25°C)	MUESTRA APROBADA	COMPONENTE UL		CSA
C32798	45.0 OZ. FT.	0701420A	#ARCHIVO	CCN #	#ARCHIVO CLASE #
			E46412	PRGY2	LR43341 4211-01

CARACTERISTICAS DE GEOMETRIA Y SIMBOLOS  
 ▽ PLANICIDAD  
 — RECTITUD  
 < ANGULARIDAD  
 ⊥ PERPENDICULARIDAD (A ESCUADRA)  
 // PARALELISMO  
 ○ REDONDEZ (CIRCULARIDAD)  
 ∅ CILINDRICIDAD  
 △ PERFIL DE CUALQUIER SUPERFICIE  
 ∩ PERFIL DE CUALQUIER LINEA  
 / VARIACION  
 ⊕ POSICION REAL  
 ⊙ CONCENTRICIDAD  
 = SIMETRIA

REGAL-BELOIT CORPORATION (RBC) PROVEE ASISTENCIA TECNICA A NUESTROS CLIENTES EN VARIAS AREAS. DESDE QUE RBC NO RECIBE TODOS LOS DATOS EN RELACION AL USO Y A LA APLICACION DEL MOTOR, LA APLICACION ADECUADA DEL MOTOR DEBE SER DETERMINADA POR EL CLIENTE.  
 DIMENSIONES SIN TOLERANCIA SON DE REFERENCIA SOLAMENTE

DIBUJADO POR: jrupert  
 APROBADO POR: cbranham  
 TERCER ANGULO DE PROYECCION  
 09-25-2007  
 09-25-2007  
 FECHA EDS: 11-11-2011  
 REV. FORMATO: H  
 CONFIDENCIAL: ESTE DIBUJO Y SU INFORMACION SON PROPIEDAD DE USO EXCLUSIVO Y CONFIDENCIAL DE REGAL-BELOIT CORPORATION. Y NO DEBERAN SER REVELADOS, DUPLICADOS, DISTRIBUIDOS O USARSE DE OTRA MANERA SIN EL CONSENTIMIENTO ESCRITO DE REGAL-BELOIT CORPORATION. -TODOS LOS DERECHOS RESERVADOS.

REGAL REGAL-BELOIT CORPORATION  
 DESCRIPCION: MODEL-RFHP-48FR OUTLINE  
 TAMAÑO: C NUMERO DE DIBUJO: FC1066F  
 ESCALA: NONE HOJA: 1

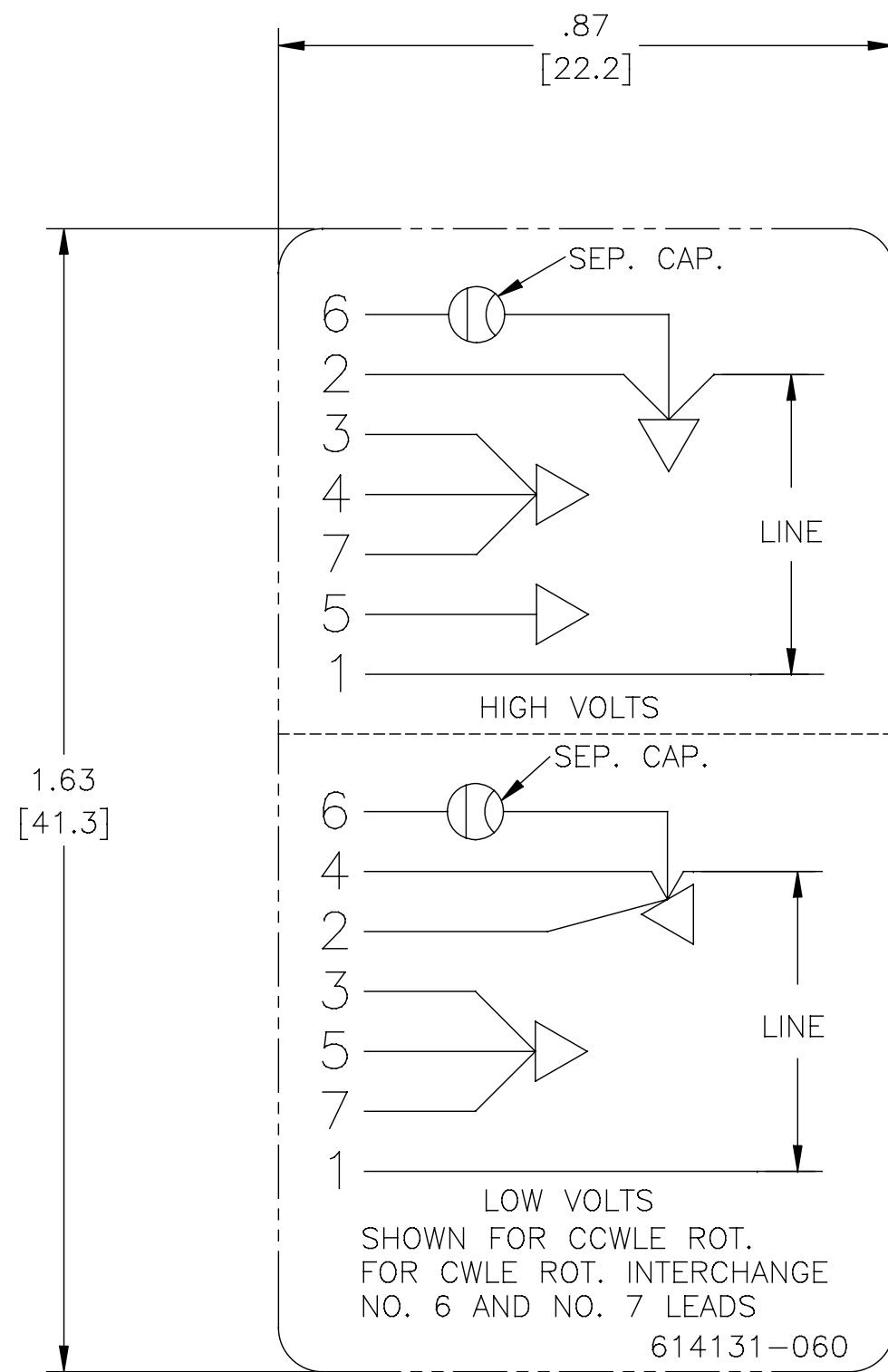


ROJO (1)	5.0/7.0 [127/178]	.50 [12.7] DEL PIEL
ROJO (2)	5.0/7.0 [127/178]	.50 [12.7] DEL PIEL
ROJO (3)	5.0/7.0 [127/178]	.50 [12.7] DEL PIEL
AMARILLO (4)	5.0/7.0 [127/178]	.50 [12.7] DEL PIEL
AMARILLO (5)	5.0/7.0 [127/178]	.50 [12.7] DEL PIEL
AMARILLO (6)	5.0/7.0 [127/178]	.50 [12.7] DEL PIEL
AZUL (7)	5.0/7.0 [127/178]	.50 [12.7] DEL PIEL
COLOR	LONGITUD	TERMINAL O LONGITUD DE DESFORRE

DE CARCASA - OLE	ABIERTA
DE TAPA - OLE	ABIERTA
DE CARCASA - LE	ENCERRADO
DE TAPA - LE	ABIERTA

CLIENTE	DISTRIBUTION SERVICE
---------	----------------------

4 3 2 1



NOTES:

1. FOR USE WITH 614129 NAMEPLATE BLANK(OR 2513020-001 NAMEPLATE BLANKS)
2. ——— INDICATES DIMENSION LIMITS

DRAWING REVISION C	REVISION BY C.ZHOU	DATE 07-30-2015	TOLERANCES UNLESS OTHERWISE SPECIFIED	DRAWN BY: Cherry.Zhang	Regal Beloit America, Inc.
ECO 0082510	APPROVED BY C.ZHANG	DATE 07-30-2015	DEC. INCH mm ANGLE .XX ±0.02 [±0.13] ±0.5° .XXX ±0.005 [±0.013] .XXXX ±0.0005 [±0.0013]	DATE: 03-28-2011	
ECO DESCRIPTION @ZONE B3 ADD REVERSING TEXT			REMOVE BURRS & BREAK SHARP EDGES .003/.015 [0.08/.38] CORNER FILLETS .02 [.5]	APPROVED BY: Tiger.Wang	DESCRIPTION CONN DIAGRAM-NAMEPLATE
<small>COPYRIGHT REGAL BELOIT AMERICA, INC. ALL RIGHTS RESERVED. PROPRIETARY AND CONFIDENTIAL INFORMATION - THIS DOCUMENT IS THE PROPERTY OF REGAL BELOIT AMERICA, INC. (OWNER) AND CONTAINS OWNER'S PROPRIETARY INFORMATION. ANY PERSON, CORPORATION OR OTHER FIRM RECEIVING IT IS DEEMED, BY RECEIVING IT, TO AGREE THAT IT, AND/OR ANY PART OF IT, SHALL NOT BE DISCLOSED TO ANY PERSON, CORPORATION OR OTHER ENTITY, DUPLICATED, AND/OR USED, EXCEPT AS EXPRESSLY APPROVED IN WRITING IN ADVANCE BY OWNER. THIS DOCUMENT SHALL BE RETURNED TO OWNER UPON REQUEST. IT MAY BE SUBJECT TO CERTAIN RESTRICTIONS UNDER APPLICABLE EXPORT CONTROL LAWS AND REGULATIONS.</small>			MACHINED SURFACES $\frac{125}{\text{INCH}} \sqrt{\frac{3.2}{\text{mm}}}$ mm SHOWN IN [BRACKETS]	DATE: 03-28-2011	MATERIAL
			THIRD ANGLE PROJECTION	REFERENCE -	PROCESS/FINISH -
			SIZE DWG NO C 614131-060		SHEET 1