

PRODUCT INFORMATION PACKET



Model No: FB1106

Catalog No: FB1106

Condenser Fan Motor, 1 HP, 1 Ph, 60 Hz, 208-230/460 V, 1075 RPM, 1 Speed, 56 Frame, SEMI ENCLOSED



Regal and Century are trademarks of Regal Rexnord Corporation or one of its affiliated companies.

©2023 Regal Rexnord Corporation, All Rights Reserved. MC017097E





Nameplate Specifications

Output HP	1 Hp	Output KW	0.75 kW
Frequency	60 Hz	Voltage	208-230/460 V
Current	7.6/3.8 A	Speed	1075 rpm
Service Factor	1	Phase	1
Duty	Air Over	Insulation Class	B
Frame	56Y	Enclosure	Semi Enclosed
Thermal Protection	Automatic	Ambient Temperature	60 °C
UL	Recognized	CSA	Y
CE	N	Number of Speeds	1

Technical Specifications

Electrical Type	Permanent Split Capacitor	Starting Method	Across The Line
Poles	6	Rotation	Reversible
Mounting	Resilient Base	Motor Orientation	Horizontal
Drive End Bearing	Ball	Opp Drive End Bearing	Ball
Frame Material	Rolled Steel	Shaft Type	Keyed
Overall Length	12.83 in	Frame Length	7.00 in
Shaft Diameter	0.625 in	Shaft Extension	4.1 in
Outline Drawing	12370-002	Connection Drawing	614131-122

This is an uncontrolled document once printed or downloaded and is subject to change without notice. Date Created:02/16/2023

4 3 2 1

GENERAL INFORMATION:

SHAFT RUNOUT: .001[.02] T.I.R. PER INCH LENGTH OF EXTENSION.

BEARINGS: BALL

MOUNTING POSITION: VERTICLE SHAFT UP

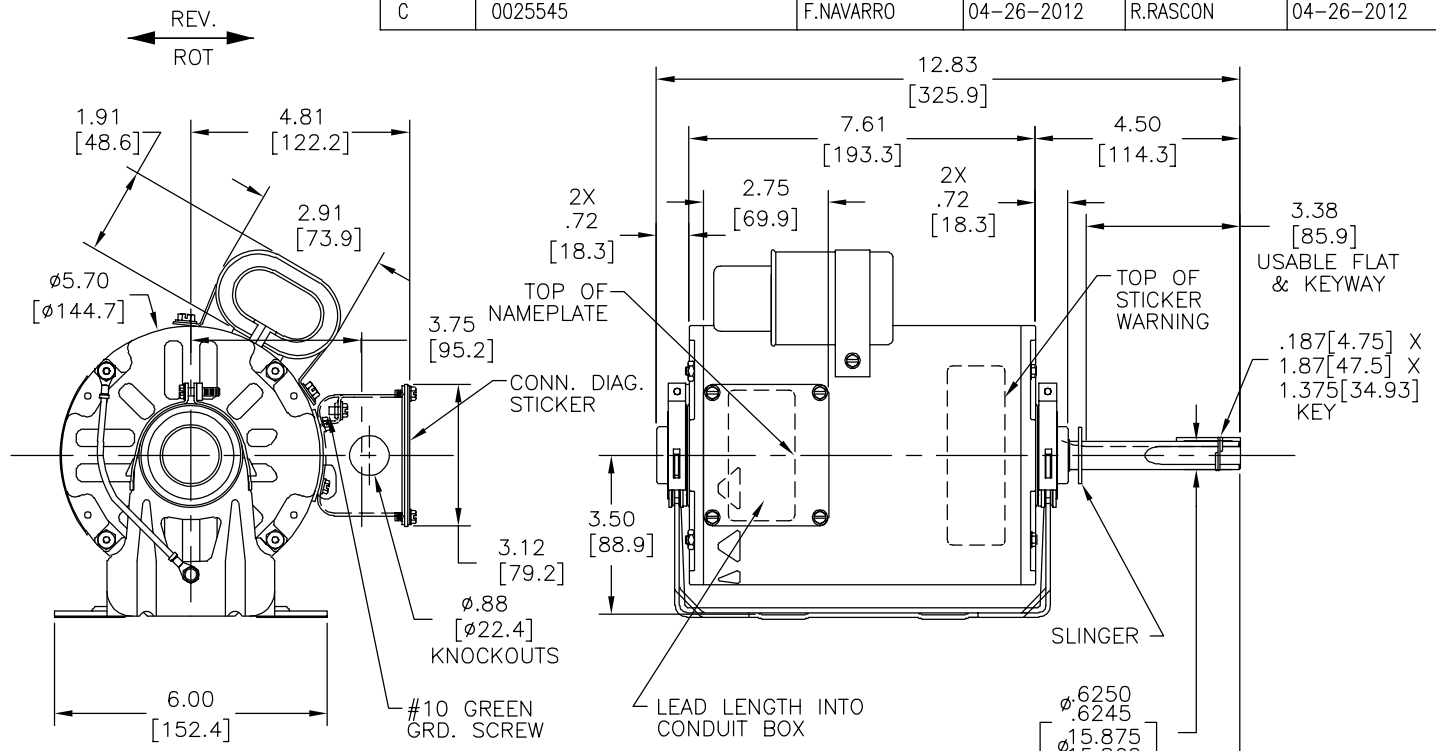
ELECTRICAL DATA:

OVERLOAD PROTECTOR: AUTOMATIC RESET (T.I. 7AM 036)

LEADS: NO. 18 GA., .03[.8] THK., 125' INSUL.

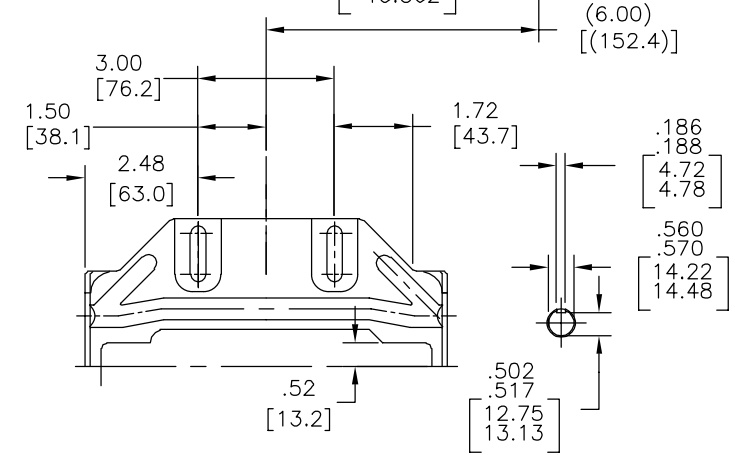
GROUND LEAD: NO. 18 GA., .03[.8] THK., (GREEN) INSUL.

REV	ECO	REV BY	DATE	APPD	DATE
C	0025545	F.NAVARRO	04-26-2012	R.RASCON	04-26-2012



NAMEPLATE DATA:	EXTERNAL CONNECTION DIAGRAM
MODEL NO.: F48SX6V13A1 CUST. P/N: FB1106 HP: 1.0 ROT.: REVERSIBLE RPM: 1075 TYPE: UF FRAME: 56Y VOLTS: 208-230/460 PH: 1 AMPS: 7.6/3.8 HZ: 60 INS.: B AMB.: 60° C DUTY: AIR OVER CAP.: 17.5 MFD/440 V UL & CSA LOGOS THERMALLY PROTECTED SEMI-ENCL.	

COLOR	LENGTH	TERMINAL OR STRIP LENGTH
GREEN (GROUND)	CONNECTED TO BASE	#8 EYELET
ORANGE	CONNECTED TO CAPACITOR	.25[6.4] FLAG
BROWN	CONNECTED TO CAPACITOR	.25[6.4] FLAG
ORANGE	6/7 [152/178]	.50[12.7] SKIN
RED 1	6/7 [152/178]	.50[12.7] SKIN
RED 2	6/7 [152/178]	.50[12.7] SKIN
RED 3	6/7 [152/178]	.50[12.7] SKIN
YELLOW 4	6/7 [152/178]	.50[12.7] SKIN
YELLOW 5	6/7 [152/178]	.50[12.7] SKIN
YELLOW 6	6/7 [152/178]	.50[12.7] SKIN



PERFORMANCE CURVE NO.	TORQUE @ 1100 RPM (25°C)	APPROVED SAMPLE	UL COMPONENT	CSA
FILE #	GUIDE #	FILE #	GUIDE #	
C20443 C20444 C20446	105.6 OZ.-FT.	EX10180	E46412 PRGY2	LR43341 260-Ø-0

MAIN FR. - OLE	ENCLOSED	CUSTOMER	AMMO
END FR. - OLE	ENCLOSED		
MAIN FR. - LE	SEMI-ENCLOSED		
END FR. - LE	OPEN		

GEOMETRIC CHARACTERISTICS & SYMBOLS ▽ FLATNESS - STRAIGHTNESS ∠ ANGULARITY ⊥ PERPENDICULARITY (SQUARENESS) // PARALLELISM ○ ROUNDNESS (CIRCULARITY) ∅ CYLINDRICITY △ PROFILE OF ANY SURFACE ∩ PROFILE OF ANY LINE ↑ RUNOUT ⊕ TRUE POSITION ⊙ CONCENTRICITY = SYMMETRY ASME Y14.5M 1994	REGAL-BELOIT CORPORATION (RBC) PROVIDES TECHNICAL ASSISTANCE TO OUR CUSTOMERS IN SEVERAL AREAS. SINCE RBC DOES NOT RECEIVE ALL DATA CONCERNING THE USE AND APPLICATION OF THE MOTOR, THE SUITABILITY OF THE MOTOR FOR THE APPLICATION MUST BE DETERMINED BY THE CUSTOMER. DIMENSIONS WITHOUT TOLERANCES ARE FOR REFERENCE ONLY.	DR BY: GORDON	10-30-2002	REGAL-BELOIT CORPORATION DESCRIPTION: MODEL-RFHP-48FR OUTLINE SIZE: C DWG NO: 12370-002 SCALE: NONE SHEET: 1	
		APPD:	EDS DATE: 11-11-2011		FORMAT REV: G
		THIRD ANGLE PROJECTION			
		CONFIDENTIAL: THIS DRAWING AND ITS INFORMATION ARE THE EXCLUSIVE AND CONFIDENTIAL PROPERTY OF REGAL-BELOIT CORPORATION AND ARE NOT TO BE DISCLOSED, DUPLICATED, DISTRIBUTED OR OTHERWISE USED WITHOUT THE WRITTEN CONSENT OF REGAL-BELOIT CORPORATION. -ALL RIGHTS RESERVED.			

4 3 2 1

4

3

2

1

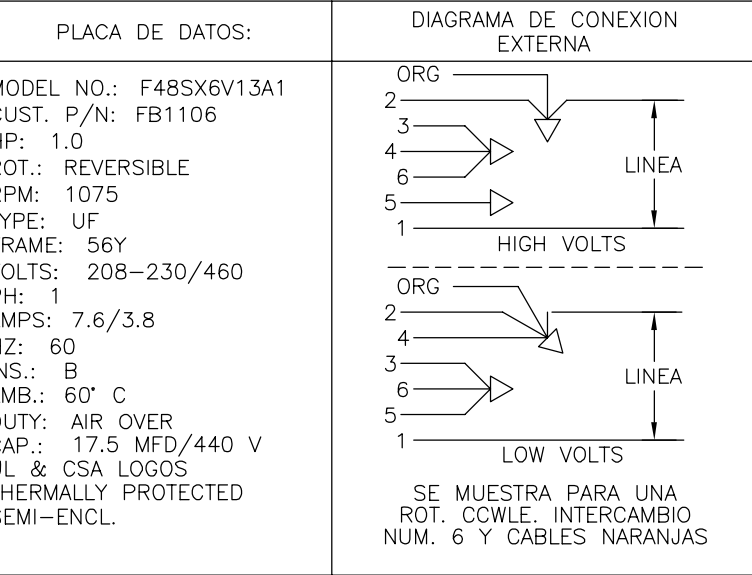
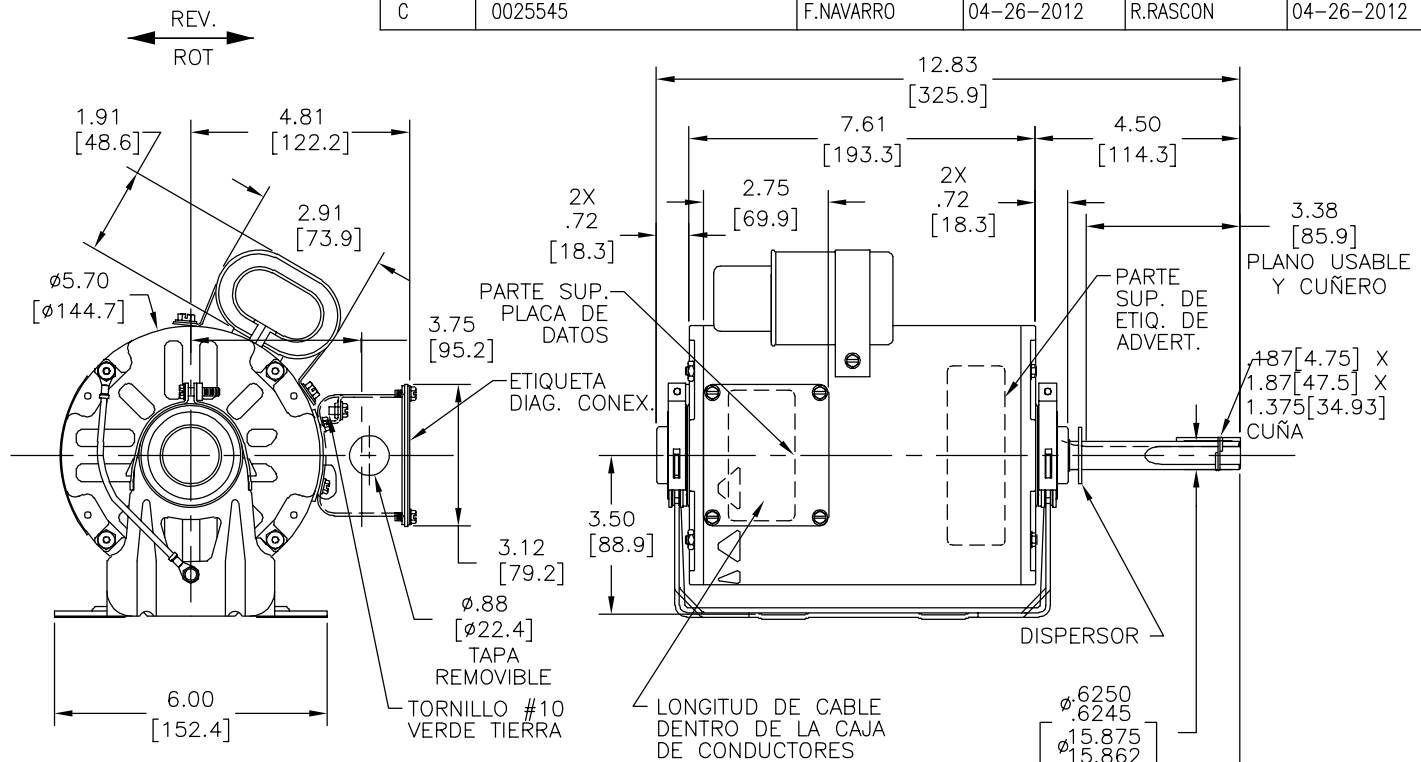
INFORMACION GENERAL:

OSCILACION DE FLECHA: .001[.02] L.T.I. POR PULGADA DE LONGITUD DE EXTENSION.
 JUEGO AXIAL: .010[.25] A .063[1.60]
 POSICION DE MONTAJE: FLECHA VERTICAL HACIA ABAJO

INFORMACION ELECTRICA:

SOBRECARGA DEL PROTECTOR: REINICIO AUTOMATICO (T.I. 7AM 036)
 CABLES: CALIBRE NO. 18, .03[.8] GROSOR, AISLANTE 125°C.
 CABLE DE TIERRA: CALIBRE NO. 18, AISLANTE (VERDE) .03[.8] GROSOR.

REVISION:	ECO	REVISADO POR:	FECHA:	APROBADO POR:	FECHA:
C	0025545	F.NAVARRO	04-26-2012	R.RASCON	04-26-2012



VERDE (TIERRA)	CONECTADO A BASE	#8 OJAL
NARANJA	CONECTADO A CAPACITOR	.25[6.4] TERMINAL BANDERA
CAFE	CONECTADO A CAPACITOR	.25[6.4] TERMINAL BANDERA
NARANJA	6/7 [152/178]	.50[12.7] FORRO
ROJO 1	6/7 [152/178]	.50[12.7] FORRO
ROJO 2	6/7 [152/178]	.50[12.7] FORRO
ROJO 3	6/7 [152/178]	.50[12.7] FORRO
AMARILLO 4	6/7 [152/178]	.50[12.7] FORRO
AMARILLO 5	6/7 [152/178]	.50[12.7] FORRO
AMARILLO 6	6/7 [152/178]	.50[12.7] FORRO

CARCAZA - OLE	CERRADO
TAPA - OLE	CERRADO
CARCAZA - LE	SEMI-CERRADO
TAPA - LE	ABIERTO

INFORMACION DE CABLES	TIPO DE MOTOR	CLIENTE	AMMO																																									
<table border="1"> <tr> <th>COLOR</th> <th>LONGITUD</th> <th>TERM. O LONG. DE DESFORRE</th> </tr> <tr> <td>VERDE (TIERRA)</td> <td>CONECTADO A BASE</td> <td>#8 OJAL</td> </tr> <tr> <td>NARANJA</td> <td>CONECTADO A CAPACITOR</td> <td>.25[6.4] TERMINAL BANDERA</td> </tr> <tr> <td>CAFE</td> <td>CONECTADO A CAPACITOR</td> <td>.25[6.4] TERMINAL BANDERA</td> </tr> <tr> <td>NARANJA</td> <td>6/7 [152/178]</td> <td>.50[12.7] FORRO</td> </tr> <tr> <td>ROJO 1</td> <td>6/7 [152/178]</td> <td>.50[12.7] FORRO</td> </tr> <tr> <td>ROJO 2</td> <td>6/7 [152/178]</td> <td>.50[12.7] FORRO</td> </tr> <tr> <td>ROJO 3</td> <td>6/7 [152/178]</td> <td>.50[12.7] FORRO</td> </tr> <tr> <td>AMARILLO 4</td> <td>6/7 [152/178]</td> <td>.50[12.7] FORRO</td> </tr> <tr> <td>AMARILLO 5</td> <td>6/7 [152/178]</td> <td>.50[12.7] FORRO</td> </tr> <tr> <td>AMARILLO 6</td> <td>6/7 [152/178]</td> <td>.50[12.7] FORRO</td> </tr> </table>	COLOR	LONGITUD	TERM. O LONG. DE DESFORRE	VERDE (TIERRA)	CONECTADO A BASE	#8 OJAL	NARANJA	CONECTADO A CAPACITOR	.25[6.4] TERMINAL BANDERA	CAFE	CONECTADO A CAPACITOR	.25[6.4] TERMINAL BANDERA	NARANJA	6/7 [152/178]	.50[12.7] FORRO	ROJO 1	6/7 [152/178]	.50[12.7] FORRO	ROJO 2	6/7 [152/178]	.50[12.7] FORRO	ROJO 3	6/7 [152/178]	.50[12.7] FORRO	AMARILLO 4	6/7 [152/178]	.50[12.7] FORRO	AMARILLO 5	6/7 [152/178]	.50[12.7] FORRO	AMARILLO 6	6/7 [152/178]	.50[12.7] FORRO	<table border="1"> <tr> <td>CARCAZA - OLE</td> <td>CERRADO</td> </tr> <tr> <td>TAPA - OLE</td> <td>CERRADO</td> </tr> <tr> <td>CARCAZA - LE</td> <td>SEMI-CERRADO</td> </tr> <tr> <td>TAPA - LE</td> <td>ABIERTO</td> </tr> </table>	CARCAZA - OLE	CERRADO	TAPA - OLE	CERRADO	CARCAZA - LE	SEMI-CERRADO	TAPA - LE	ABIERTO		
COLOR	LONGITUD	TERM. O LONG. DE DESFORRE																																										
VERDE (TIERRA)	CONECTADO A BASE	#8 OJAL																																										
NARANJA	CONECTADO A CAPACITOR	.25[6.4] TERMINAL BANDERA																																										
CAFE	CONECTADO A CAPACITOR	.25[6.4] TERMINAL BANDERA																																										
NARANJA	6/7 [152/178]	.50[12.7] FORRO																																										
ROJO 1	6/7 [152/178]	.50[12.7] FORRO																																										
ROJO 2	6/7 [152/178]	.50[12.7] FORRO																																										
ROJO 3	6/7 [152/178]	.50[12.7] FORRO																																										
AMARILLO 4	6/7 [152/178]	.50[12.7] FORRO																																										
AMARILLO 5	6/7 [152/178]	.50[12.7] FORRO																																										
AMARILLO 6	6/7 [152/178]	.50[12.7] FORRO																																										
CARCAZA - OLE	CERRADO																																											
TAPA - OLE	CERRADO																																											
CARCAZA - LE	SEMI-CERRADO																																											
TAPA - LE	ABIERTO																																											

CURVA DE FUNCIONAMIENTO	TORSION @1100 RPM (25°C)	MUESTRA APROBADA	COMPONENTE UL	CSA
C20443 C20444 C20446	105.6 ONZAS PIE	EX10180	#ARCHIVO # GUIA	#ARCHIVO # GUIA
			E46412 PRGY2	LR43341 260-0-0

CARACTERISTICAS DE GEOMETRIA Y SIMBOLOS
 ✓ PLANICIDAD
 — RECTITUD
 ∠ ANGULARIDAD
 ⊥ PERPENDICULARIDAD (A ESCUADRA)
 // PARALELISMO
 ○ REDONDEZ (CIRCULARIDAD)
 ∅ CILINDRICIDAD
 △ PERFIL DE CUALQUIER SUPERFICIE
 ∩ PERFIL DE CUALQUIER LINEA
 / VARIACION
 ⊕ POSICION REAL
 ⊙ CONCENTRICIDAD
 = SIMETRIA
 ASME Y14.5M 1994

REGAL-BELOIT CORPORATION (RBC) PROVEE ASISTENCIA TECNICA A NUESTROS CLIENTES EN VARIAS AREAS, DESDE QUE RBC NO RECIBE TODOS LOS DATOS EN RELACION AL USO Y A LA APLICACION DEL MOTOR, LA APLICACION ADECUADA DEL MOTOR DEBE SER DETERMINADA POR EL CLIENTE.
 DIMENSIONES SIN TOLERANCIA SON DE REFERENCIA SOLAMENTE

DIBUJADO POR: GORDON 10-30-2002
 APROBADO POR:
 TERCER ANGULO DE PROYECCION
 FECHA EDS: 11-11-2011
 REV. FORMATO: G
 CONFIDENCIAL: ESTE DIBUJO Y SU INFORMACION SON PROPIEDAD DE USO EXCLUSIVO Y CONFIDENCIAL DE REGAL-BELOIT CORPORATION. Y NO DEBERAN SER REVELADOS, DUPLICADOS, DISTRIBUIDOS O USARSE DE OTRA MANERA SIN EL CONSENTIMIENTO ESCRITO DE REGAL-BELOIT CORPORATION. -TODOS LOS DERECHOS RESERVADOS.

REGAL-BELOIT CORPORATION
 DESCRIPCION: MODEL-RFHP-48FR OUTLINE
 TAMAÑO: C NUMERO DE DIBUJO: 12370-002
 ESCALA: NONE HOJA: 1

4

3

2

1

