

PRODUCT INFORMATION PACKET



Model No: FB1076V1

Catalog No: FB1076V1

Condenser Fan Motor, 3/4 HP, 1 Ph, 60 Hz, 208-230/460 V, 1075 RPM, 1 Speed, 48 Frame, SEMI ENCLOSED



Regal and Century are trademarks of Regal Rexnord Corporation or one of its affiliated companies.

©2023 Regal Rexnord Corporation, All Rights Reserved. MC017097E





Nameplate Specifications

Output HP	3/4 Hp	Output KW	0.56 kW
Frequency	60 Hz	Voltage	208-230/460 V
Current	5.0/2.5 A	Speed	1075 rpm
Service Factor	1	Phase	1
Duty	Air Over	Insulation Class	B
Frame	48Y	Enclosure	Semi Enclosed
Thermal Protection	Automatic	Ambient Temperature	60 °C
UL	Recognized	CSA	Y
CE	N	Number of Speeds	1

Technical Specifications

Electrical Type	Permanent Split Capacitor	Starting Method	Across The Line
Poles	6	Rotation	Reversible
Mounting	Resilient Base	Motor Orientation	Horizontal
Drive End Bearing	Ball	Opp Drive End Bearing	Ball
Frame Material	Rolled Steel	Shaft Type	Flat
Overall Length	13.74 in	Frame Length	7.13 in
Shaft Diameter	0.500 in	Shaft Extension	5.0 in
Connection Drawing	614131-122	Outline Drawing	12370-003-S01

This is an uncontrolled document once printed or downloaded and is subject to change without notice. Date Created:02/16/2023

GENERAL INFORMATION:

SHAFT RUNOUT: .001 [.03] T.I.R. PER INCH LENGTH OF EXTENSION

BEARINGS: BALL

MOUNTING POSITION: VERTICAL SHAFT UP

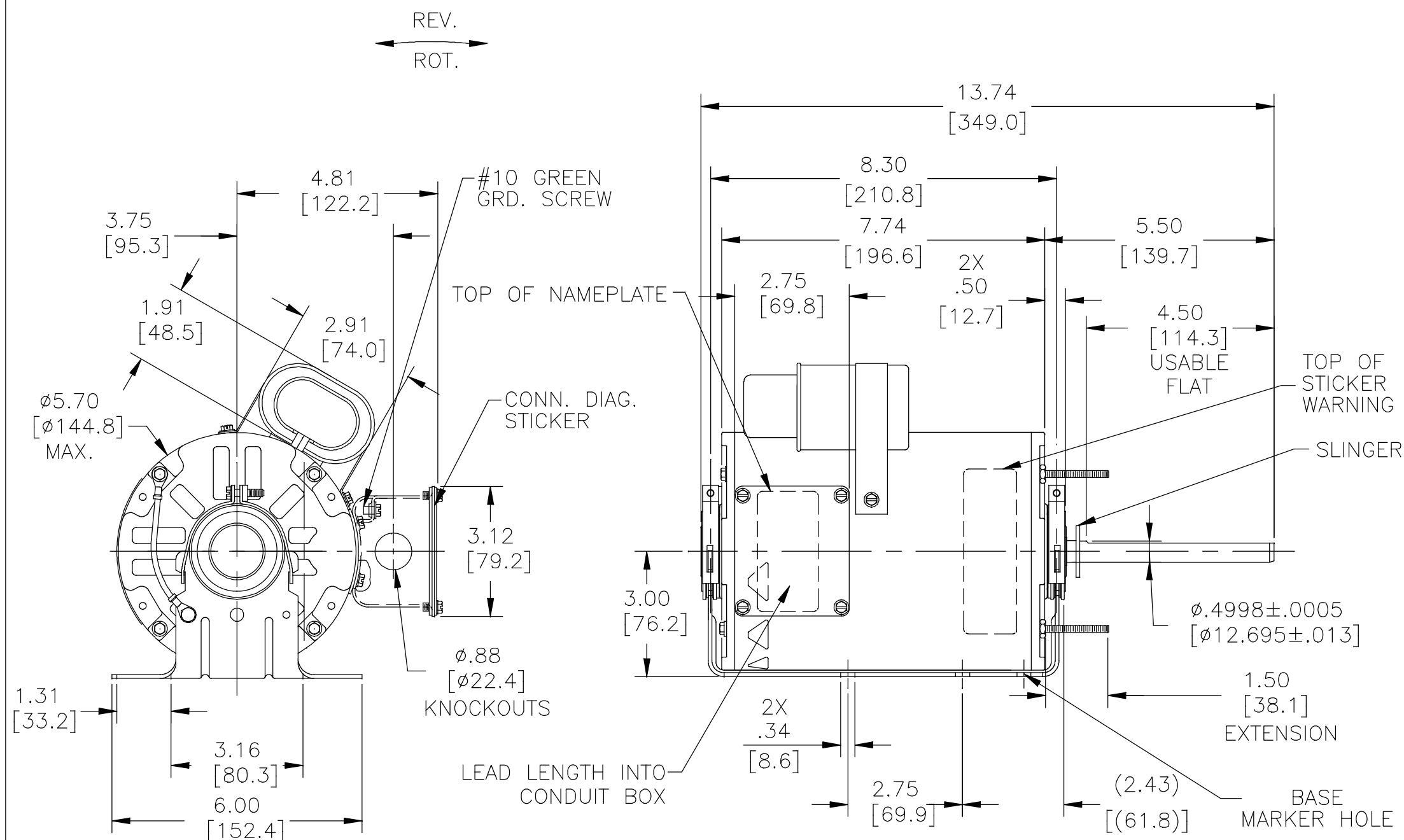
ELECTRICAL DATA:

OVERLOAD PROTECTOR: AUTOMATIC RESET T.I. 7AM 036

LEADS: NO. 18 GA., .03[.8] THK., 125°C INSUL.

GROUND LEAD: NO. 18 GA., .03 [.8] THK., GREEN INSUL.

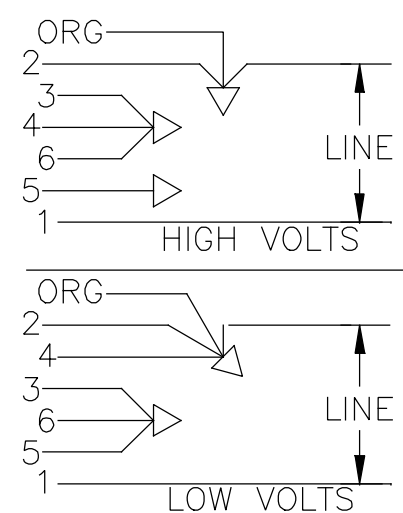
NOTE:
1. DISTRIBUTION PART NUMBER: FB1076V1
GRAINGER PART NUMBER: 4MA35



NAMEPLATE DATA:

MODEL NO: F48U91A01
CUST. P/N: []
HP: 3/4
ROT.: REVERSIBLE
RPM: 1075
TYPE: UF
FRAME: 48Y
VOLTS: 208-230/460
PH: 1
AMPS: 5.0/2.5MAX.(6.0/3.0)
HZ: 60
INS.: B
AMB: 60°C
DUTY: AIR OVER
CAP: 17.5 MFD/370 V
UL & CSA LOGO
THERMALLY PROTECTED
ENCLOSURE: SEMI-ENCL

EXTERNAL CONNECTION DIAGRAM



SHOWN FOR CCWLE
ROT. FOR CWLE ROT.
INTERCHANGE NO.6
AND ORANGE LEADS.

614131-122

COLOR	LENGTH	TERMINAL OR STRIP LENGTH
GREEN (GRD)	CONNECTED TO BASE	#8 EYELET
ORANGE	CONNECTED TO CAPACITOR	.25[6.4] FLAG
BROWN	CONNECTED TO CAPACITOR	.25[6.4] FLAG
ORANGE	6/7 [152/178]	.50[12.7] SKIN
RED 1	6/7 [152/178]	.50[12.7] SKIN
RED 2	6/7 [152/178]	.50[12.7] SKIN
RED 3	6/7 [152/178]	.50[12.7] SKIN
YELLOW 4	6/7 [152/178]	.50[12.7] SKIN
YELLOW 5	6/7 [152/178]	.50[12.7] SKIN
YELLOW 6	6/7 [152/178]	.50[12.7] SKIN

PERFORMANCE CURVE NO.	TORQUE @ 1075 RPM (25°C)	APPROVED SAMPLE	UL COMPONENT FILE #	GUIDE #	CSA FILE #	GUIDE #
C23774	77.9 OZ. FT.	EX11805-1	E46412	PRGY2	LR43341	260-φ-0

MAIN FR. - OLE	ENCLOSED
END FR. - OLE	ENCLOSED
MAIN FR. - LE	SEMI-ENCL.
END FR. - LE	OPEN

CUST.	DISTRIBUTION SERVICES
-------	-----------------------

DRAWING REVISION	REVISION BY	DATE
F	HANNA.ZOU	12-26-2018
ECO	APPROVED BY	DATE
ECO-0158916	Tricia Niederholtmeyer	12-26-2018

ECO DESCRIPTION
SEE ECO

COPYRIGHT REGAL BELOIT AMERICA, INC. ALL RIGHTS RESERVED. PROPRIETARY AND CONFIDENTIAL INFORMATION - THIS DOCUMENT IS THE PROPERTY OF REGAL BELOIT AMERICA, INC. ("OWNER") AND CONTAINS OWNER'S PROPRIETARY INFORMATION. ANY PERSON, CORPORATION OR OTHER FIRM RECEIVING IT IS DEEMED, BY RECEIVING IT, TO AGREE THAT IT, AND/OR ANY PART OF IT, SHALL NOT BE DISCLOSED TO ANY PERSON, CORPORATION OR OTHER ENTITY, DUPLICATED, AND/OR USED, EXCEPT AS EXPRESSLY APPROVED IN WRITING IN ADVANCE BY OWNER. THIS DOCUMENT SHALL BE RETURNED TO OWNER UPON REQUEST. IT MAY BE SUBJECT TO CERTAIN RESTRICTIONS UNDER APPLICABLE EXPORT CONTROL LAWS AND REGULATIONS.

ENCLOSURE

DRAWN BY: GORDON
DATE: 07-29-2004
APPROVED BY:
DATE:
PROCESS/FINISH:

REGAL™ Regal Beloit America, Inc.
DESCRIPTION: MODEL-RFHP-48FR OUTLINE
MATERIAL:

THIRD ANGLE PROJECTION
SIZE DWG NO: C 12370-003
SHEET 1

