

PRODUCT INFORMATION PACKET



Model No: FB1076

Catalog No: FB1076

3/4 HP Condenser Fan Motor, 1075 RPM, 208-230/460 Volts, 56 Frame, Semi Enclosed
Condenser Fans Motors



Regal and Century are trademarks of Regal Rexnord Corporation or one of its affiliated companies.
©2021 Regal Rexnord Corporation, All Rights Reserved. MC017097E





Nameplate Specifications

Output HP	3/4 Hp	Output KW	0.56 kW
Frequency	60 Hz	Voltage	208-230/460 V
Current	5.0/2.5 A	Speed	1075 rpm
Service Factor	1	Phase	1
Duty	Air Over	Insulation Class	B
Frame	56Y	Enclosure	Semi Enclosed
Thermal Protection	Automatic	Ambient Temperature	60 °C
UL	Recognized	CSA	Y
CE	N	Number of Speeds	1

Technical Specifications

Electrical Type	Permanent Split Capacitor	Starting Method	Across The Line
Poles	6	Rotation	Reversible
Mounting	Resilient Base	Motor Orientation	Horizontal
Drive End Bearing	Ball	Opp Drive End Bearing	Ball
Frame Material	Rolled Steel	Shaft Type	Keyed
Overall Length	12.31 in	Frame Length	6.25 in
Shaft Diameter	0.625 in	Shaft Extension	4.5 in
Outline Drawing	FB1076-S01	Connection Drawing	614131-122

This is an uncontrolled document once printed or downloaded and is subject to change without notice. Date Created:11/09/2021

GENERAL INFORMATION:

SHAFT RUNOUT: .001[.03] T.I.R. PER INCH LENGTH OF EXTENSION

BEARINGS: BALL

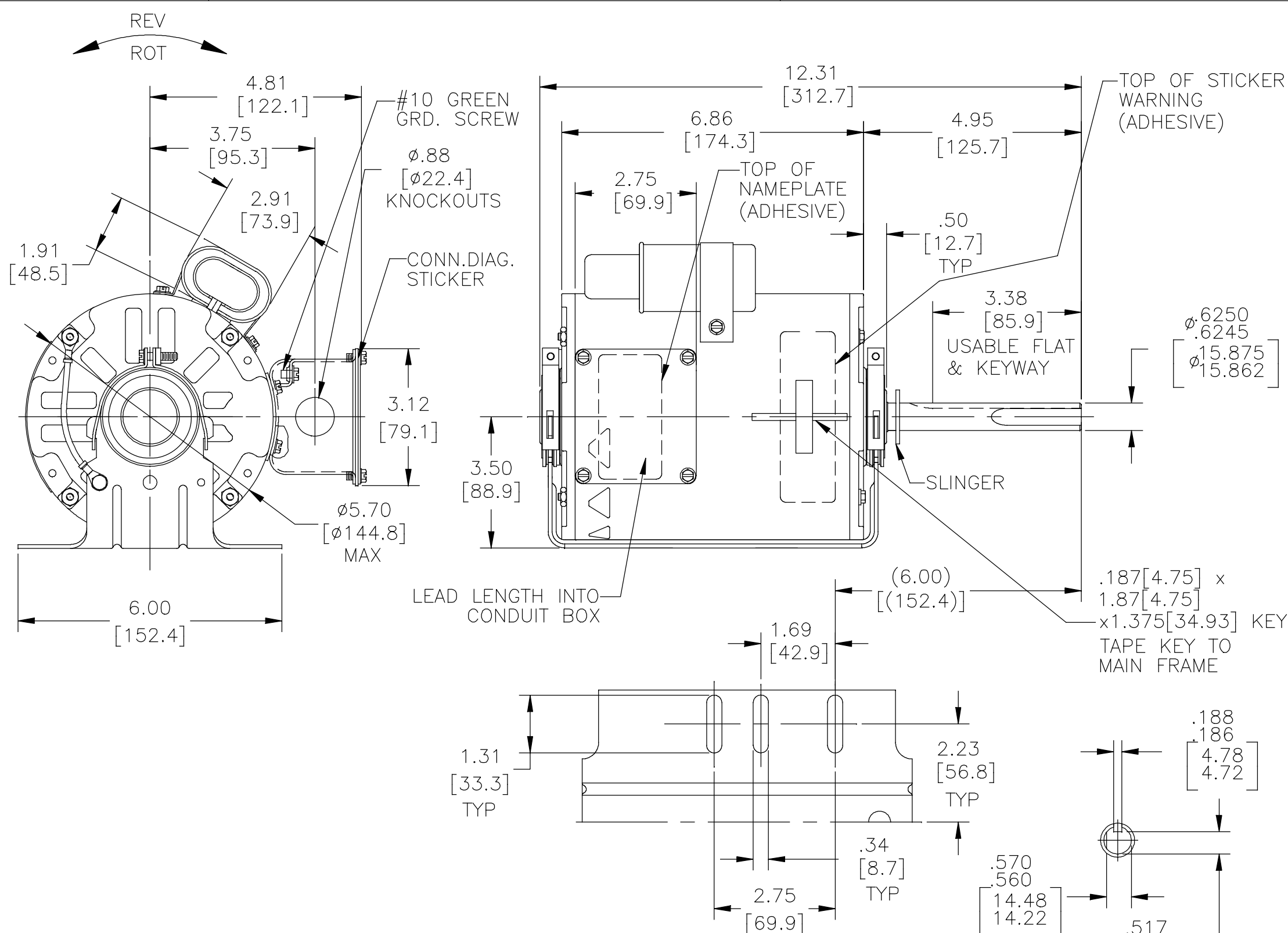
MOUNTING POSITION: VERTICLE SHAFT UP

ELECTRICAL DATA:

OVERLOAD PROTECTOR: AUTOMATIC RESET (T.I. 7AM 036)

LEADS: NO. 18 GA., .03[.8] THK. 125°C XLP

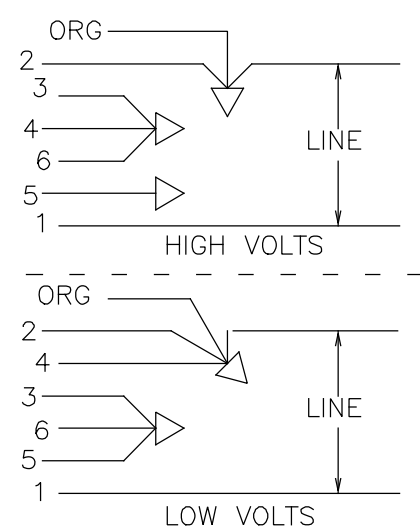
GROUND LEAD: NO. 18 GA., .03[.8] THK. (GREEN) INSUL.



NAMEPLATE DATA:

MODEL NO.: F48SU6V13
 CUST. P/N: FB1076
 HP: 3/4
 ROT.: REVERSIBLE
 RPM: 1075
 TYPE: UF
 FRAME: 56Y
 VOLTS: 208-230/460
 PH: 1
 AMPS: 5.0/2.5MAX.(6.0/3.0)
 HZ: 60
 INS.: B
 AMB.: 60° C
 DUTY: AIR OVER
 CAP.: 17.5 MFD/370V
 ENCL: SEMI-ENCL
 UL LOGO
 CSA LOGO
 THERMALLY PROTECTED

EXTERNAL CONNECTION DIAGRAM



SHOWN FOR CCWLE ROT. FOR CWLE ROT. INTERCHANGE NO.6 AND ORANGE LEADS.

614131-122

GREEN (GRD)	CONNECTED TO BASE	#8 EYELET
ORANGE	CONNECTED TO CAPACITOR	.25[6.4] FLAG
BROWN	CONNECTED TO CAPACITOR	.25[6.4] FLAG
ORANGE	6.0/7.0 [152/178]	.50[12.7] SKIN
RED 1	6.0/7.0 [152/178]	.50[12.7] SKIN
RED 2	6.0/7.0 [152/178]	.50[12.7] SKIN
RED 3	6.0/7.0 [152/178]	.50[12.7] SKIN
YELLOW 4	6.0/7.0 [152/178]	.50[12.7] SKIN
YELLOW 5	6.0/7.0 [152/178]	.50[12.7] SKIN
YELLOW 6	6.0/7.0 [152/178]	.50[12.7] SKIN
COLOR	LENGTH	TERMINAL OR STRIP LENGTH

REGAL-BELOIT CORPORATION (RBC) PROVIDES TECHNICAL ASSISTANCE TO OUR CUSTOMERS IN SEVERAL AREAS. SINCE RBC DOES NOT RECEIVE ALL DATA CONCERNING THE USE AND APPLICATION OF THE MOTOR, THE SUITABILITY OF THE MOTOR FOR THE APPLICATION MUST BE DETERMINED BY THE CUSTOMER.

DIMENSIONS WITHOUT TOLERANCES ARE FOR REFERENCE ONLY.

MAIN FRAME - OLE	ENCLOSED
END FRAME - OLE	ENCLOSED
MAIN FRAME - LE	SEMI-ENCLOSED
END FRAME - LE	OPEN

CUSTOMER	DISTRIBUTION SERVICE
----------	----------------------

PERFORMANCE CURVE NO.	TORQUE @ 1075 RPM (25°C)	APPROVED SAMPLE	UL COMPONENT		CSA	
			FILE #	CCN #	FILE #	CLASS #
C23774	77.9 OZ. FT.	EX11805-1	E46412	PRGY2	LR43341	4211-01

DRAWING REVISION D	REVISION BY JERRY CHAI	DATE 08-31-2018
ECO	APPROVED BY Tricia Niederholtmeyer	DATE 08-31-2018
ECO-0151845		
SEE ECO		

COPYRIGHT REGAL-BELOIT CORPORATION, INC. ALL RIGHTS RESERVED. PROPRIETARY AND CONFIDENTIAL INFORMATION - THIS DOCUMENT IS THE PROPERTY OF REGAL-BELOIT CORPORATION, INC. (OWNER) AND CONTAINS OWNER'S PROPRIETARY INFORMATION. ANY PERSON, CORPORATION OR OTHER FIRM RECEIVING IT IS DEEMED, BY RECEIVING IT, TO AGREE THAT IT, AND/OR ANY PART OF IT, SHALL NOT BE DISCLOSED TO ANY PERSON, CORPORATION OR OTHER ENTITY, DUPLICATED, AND/OR USED, EXCEPT AS EXPRESSLY APPROVED IN WRITING IN ADVANCE BY OWNER. THIS DOCUMENT SHALL BE RETURNED TO OWNER UPON REQUEST. IT MAY BE SUBJECT TO CERTAIN RESTRICTIONS UNDER APPLICABLE EXPORT CONTROL LAWS AND REGULATIONS.

DRAWN BY: J.ZHU
 DATE: 03-08-2012
 APPROVED BY: B.SHEN
 DATE: 03-08-2012
 PROCESS/FINISH: -

REGAL Regal Beloit America, Inc.
DESCRIPTION MODEL-RFHP-48FR OUTLINE
MATERIAL -
SIZE DWG NO C FB1076
SHEET 1

