

# PRODUCT INFORMATION PACKET



Model No: F670AV1  
Catalog No: F670AV1  
Fan and Blower Motor, 0.5 HP, 1 Ph, 60 Hz, 115 V, 1800 RPM, 56Z Frame, DP



Regal and Century are trademarks of Regal Rexnord Corporation or one of its affiliated companies.  
©2023 Regal Rexnord Corporation, All Rights Reserved. MC017097E





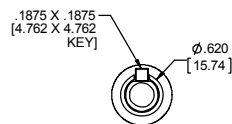
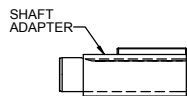
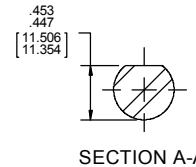
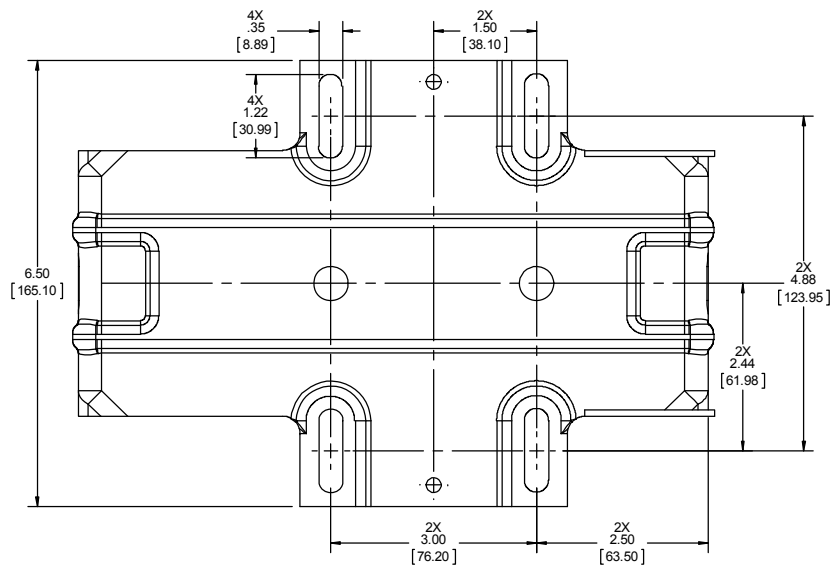
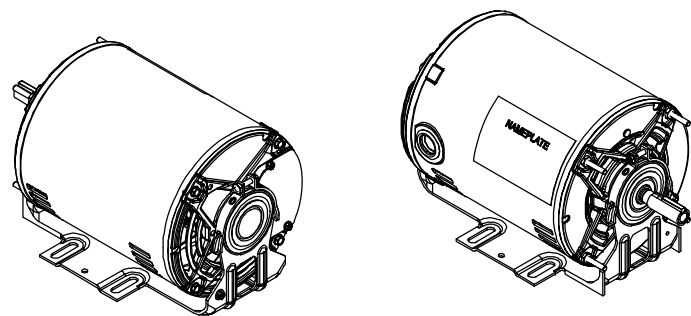
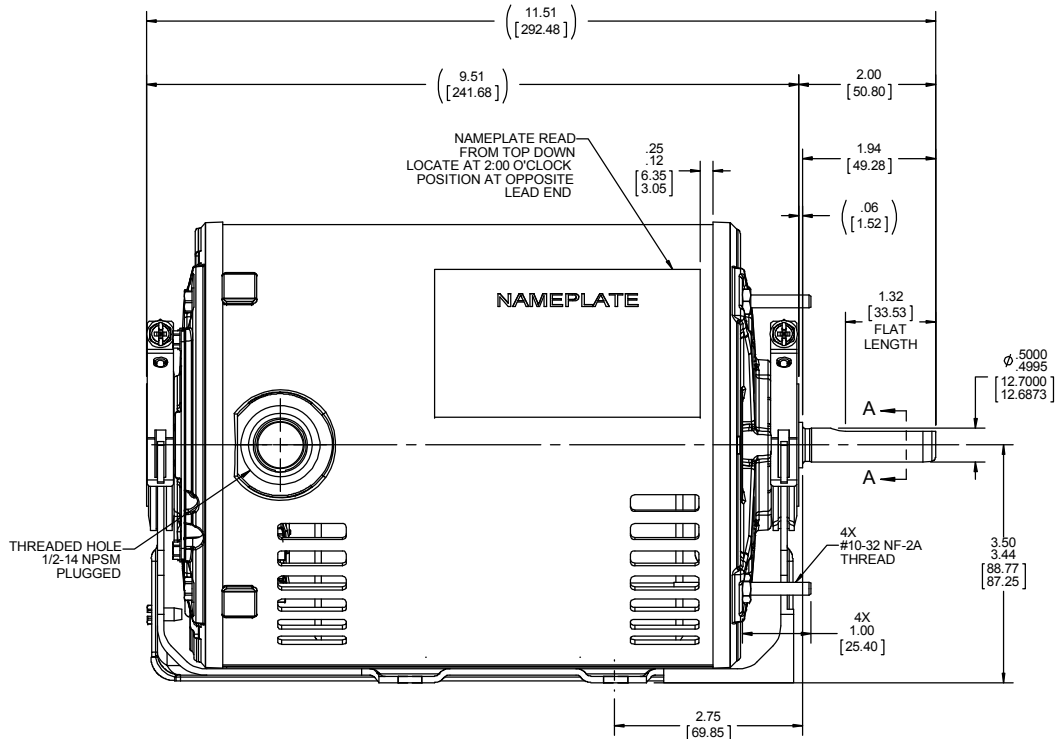
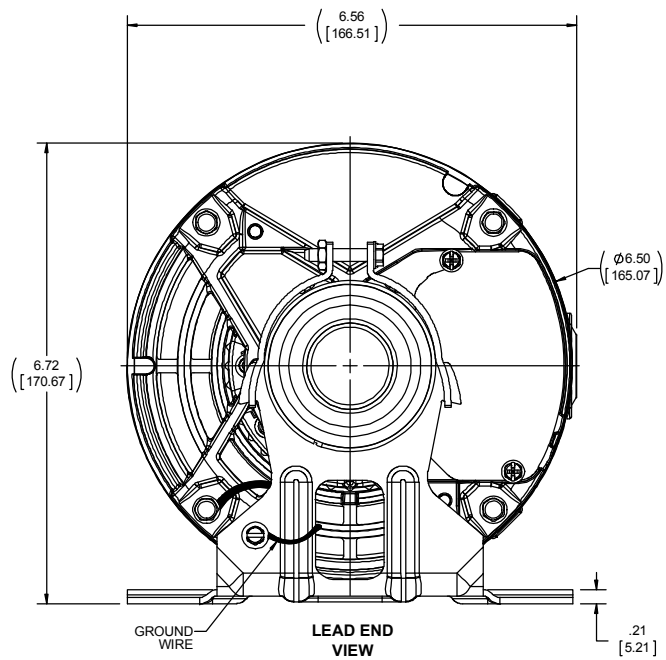
### Nameplate Specifications

Output HP	<b>0.5 Hp</b>	Output KW	<b>0.37 kW</b>
Frequency	<b>60 Hz</b>	Voltage	<b>115 V</b>
Current	<b>6.6 A</b>	Speed	<b>1725 rpm</b>
Service Factor	<b>1</b>	Phase	<b>1</b>
Efficiency	<b>70 %</b>	Duty	<b>Continuous</b>
Insulation Class	<b>B</b>	Frame	<b>56Z</b>
Enclosure	<b>Drip Proof</b>	Thermal Protection	<b>Thermally Protected</b>
Ambient Temperature	<b>40 °C</b>	UL	<b>Recognized</b>
CSA	<b>Y</b>	CE	<b>Y</b>
Number of Speeds	<b>1</b>		

### Technical Specifications

Electrical Type	<b>Split Phase</b>	Starting Method	<b>Across The Line</b>
Poles	<b>4</b>	Rotation	<b>Selective Counterclockwise</b>
Mounting	<b>Resilient Base</b>	Drive End Bearing	<b>Ball</b>
Opp Drive End Bearing	<b>Ball</b>	Frame Material	<b>Rolled Steel</b>
Shaft Type	<b>Single Special Extension</b>	Overall Length	<b>11.51 in</b>
Frame Length	<b>7.15 in</b>	Shaft Diameter	<b>0.500 in</b>
Shaft Extension	<b>1.88 in</b>		
Connection Drawing	<b>D10113-001</b>	Outline Drawing	<b>OL56100295-001</b>

This is an uncontrolled document once printed or downloaded and is subject to change without notice. Date Created:03/15/2023



DRAWING REVISION C		REVISION BY SN	DATE 09/27/2019	TOLERANCES UNLESS OTHERWISE SPECIFIED: DEC. INCH mm ANGLE		DRAWN BY J.CORTEZ	Regal Beloit America, Inc.
ECO-0172674		APPROVED BY SN	DATE 09/27/2019	.XX ±0.1 [2.5]	30.5°	DATE 01-29-2018	
ECO DESCRIPTION ADDED SHAFT ADAPTER AND KEY				.XX ±0.03 [0.76]		APPROVED BY J.CORTEZ	DESCRIPTION OUTLINE
COPYRIGHT REGAL BELOIT AMERICA, INC. ALL RIGHTS RESERVED. PROPRIETARY AND CONFIDENTIAL INFORMATION. THIS DOCUMENT IS THE PROPERTY OF REGAL BELOIT AMERICA, INC. OWNERS AND CONTAINS OWNERS PROPRIETARY INFORMATION. ANY PERSON, CORPORATION OR OTHER FIRM RECEIVING IT IS DEEMED BY RECEIVING IT, TO AGREE THAT IT, AND/OR ANY PART OF IT, SHALL NOT BE DISCLOSED TO ANY PERSON, CORPORATION OR OTHER ENTITY, DUPLICATED, AND/OR USED, EXCEPT AS EXPRESSLY APPROVED IN WRITING IN ADVANCE BY OWNER. THIS DOCUMENT SHALL BE RETURNED TO OWNER UPON REQUEST. IT MAY BE SUBJECT TO CERTAIN RESTRICTIONS UNDER APPLICABLE EXPORT CONTROL LAWS AND REGULATIONS.				.XXX ±0.005 [0.127]		DATE 01-29-2018	MATERIAL 56FR.DP.1-PHASE,RESILIENT
				.XXXX ±0.0005 [±0.0127]		REFERENCE	PROCESS/FINISH
				MACHINED SURFACES: 125 / 3.2 INCH/ mm SHOWN IN [BRACKETS]		THIRD ANGLE PROJECTION	SIZE C
						DRAWING NUMBER OL56100295-001	SHEET 1 OF 1