

PRODUCT INFORMATION PACKET



Model No: DSB1016

Catalog No: DSB1016

Fan Coil & Air Conditioner Motor, 1/6 HP, 1 Ph, 60 Hz, 115 V, 1075 RPM, 3 Speed, 48 Frame,
SEMI ENCLOSED



Regal and Century are trademarks of Regal Rexnord Corporation or one of its affiliated companies.
©2023 Regal Rexnord Corporation, All Rights Reserved. MC017097E





Nameplate Specifications

Output HP	1/6 Hp	Output KW	0.13 kW
Frequency	60 Hz	Voltage	115 V
Current	3.1 A	Speed	1075 rpm
Service Factor	1	Phase	1
Duty	Continuous Air Over	Insulation Class	B
Frame	48Y	Enclosure	Semi Enclosed
Thermal Protection	Automatic	Ambient Temperature	40 °C
UL	Recognized	CSA	Y
CE	N	Number of Speeds	3

Technical Specifications

Electrical Type	Permanent Split Capacitor	Starting Method	Across The Line
Poles	6	Rotation	Counterclockwise Lead End
Mounting	Resilient Base	Motor Orientation	Horizontal
Drive End Bearing	Sleeve	Opp Drive End Bearing	Sleeve
Frame Material	Rolled Steel	Shaft Type	Flat
Overall Length	18.86 in	Frame Length	3.25 in
Shaft Diameter	0.500 in	Shaft Extension	7.5X.5X7.5 in
Connection Drawing	614131-106	Outline Drawing	11819-031-S01

This is an uncontrolled document once printed or downloaded and is subject to change without notice. Date Created:01/17/2023

GENERAL INFORMATION:

SHAFT RUNOUT: .001 [.03] T.I.R. PER INCH LENGTH OF EXTENSION

BEARINGS: BALL

MOUNTING POSITION: HORIZONTAL

ELECTRICAL DATA:

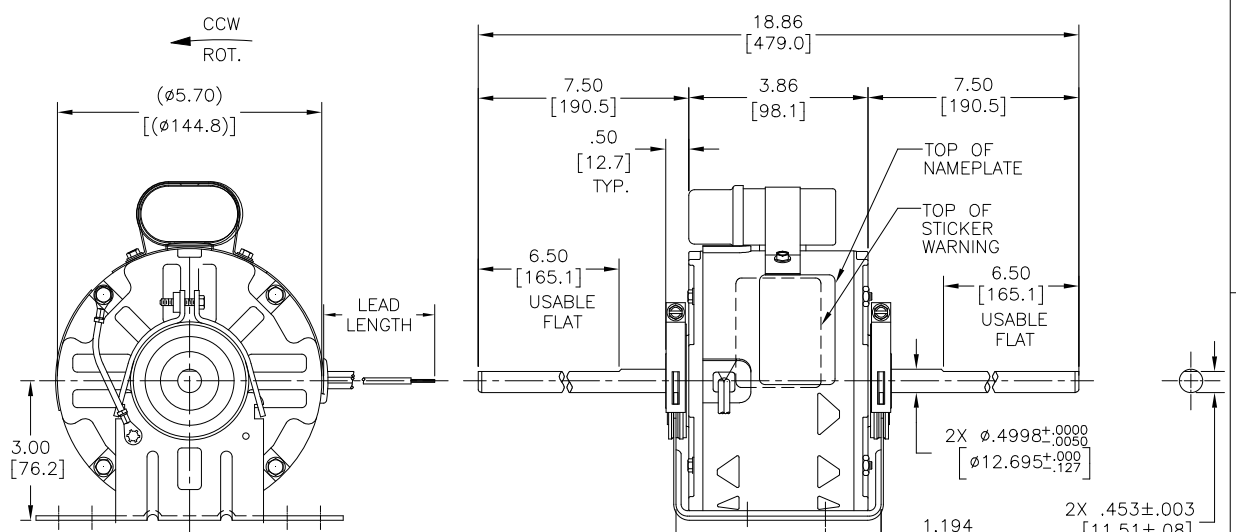
OVERLOAD PROTECTOR: AUTOMATIC RESET (T.I. 7AM 036)

LEADS: NO. 18 GA., .03 [.8] THK., 125°C INSUL.

GROUND LEAD: NO. 18 GA., .03 [.8] THK., GREEN INSUL.

NOTES:
1. DISTRIBUTION: CUST. P/N: DSB1016
GRAINGER: CUST. P/N: 4UU33

REV	ECO	REV BY	DATE	APPD	DATE
D	NMR-0218761	TRSK	1-11-2023	KEP	1-11-2023



NAMEPLATE DATA:	EXTERNAL CONNECTION DIAGRAM
MODEL NO.: F48V84A01 CUST. P/N: [] HP: 1/6 ROT.: CCWLE RPM: 1075/3 SPD TYPE: UF FRAME: 48Y VOLTS: 115 PH: 1 AMPS: 3.1 HZ: 60 INS.: B AMB.: 40°C DUTY: AIR OVER CAP.: 5 MFD/370V ENCL: SEMI-ENCL UL & CSA: LOGO THERMALLY PROTECTED	<p>SEP. CAP.</p> <p>BROWN —</p> <p>BRN/WHT —</p> <p>WHITE —</p> <p>BLACK — HI</p> <p>BLUE — MED</p> <p>RED — LO</p> <p>LINE</p>
614131-106	

GREEN(GRD)	CONNECTED TO BASE	#10 EYELET
BROWN	CONNECTED TO CAPACITOR	.25 [6.4] FLAG
BROWN/WHITE	CONNECTED TO CAPACITOR	.25 [6.4] FLAG
BLUE	24.0/26.0 [610/660]	.50 [15.2] SKIN
WHITE	24.0/26.0 [610/660]	.50 [15.2] SKIN
BLACK	24.0/26.0 [610/660]	.50 [15.2] SKIN
RED	24.0/26.0 [610/660]	.50 [15.2] SKIN
COLOR	LENGTH	TERMINAL OR STRIP LENGTH

MAIN FRAME — OLE	SEMI-ENCLOSED
END FRAME — OLE	OPEN
MAIN FRAME — LE	SEMI-ENCLOSED
END FRAME — LE	OPEN

CUSTOMER	DISTRIBUTION SERVICE
----------	----------------------

PERFORMANCE CURVE NO.	TORQUE @ 1075 RPM (25°C)	APPROVED SAMPLE	UL COMPONENT FILE #	CCN #	CSA FILE #	CLASS #
C32412	17.3 OZ. FT.	0442682B	E46412	PRGY2	LR43341	4211-01

GEOMETRIC CHARACTERISTICS & SYMBOLS
□ FLATNESS
— STRAIGHTNESS
∠ ANGULARITY
⊥ PERPENDICULARITY (SQUARENESS)
// PARALLELISM
○ ROUNDNESS (CIRCULARITY)
⊘ CYLINDRICITY
⊖ PROFILE OF ANY SURFACE
⊖ PROFILE OF ANY LINE
⊖ RUNOUT
⊖ TRUE POSITION
⊖ CONCENTRICITY
⊖ SYMMETRY

REGAL-BELOIT CORPORATION (RBC) PROVIDES TECHNICAL ASSISTANCE TO OUR CUSTOMERS IN SEVERAL AREAS. SINCE RBC DOES NOT RECEIVE ALL DATA CONCERNING THE USE AND APPLICATION OF THE MOTOR, THE SUITABILITY OF THE MOTOR FOR THE APPLICATION MUST BE DETERMINED BY THE CUSTOMER.

DIMENSIONS WITHOUT TOLERANCES ARE FOR REFERENCE ONLY.

ASME Y14.5M 1994

DR BY: CORDON 11-09-2004

APPD: PIATT 11-09-2004

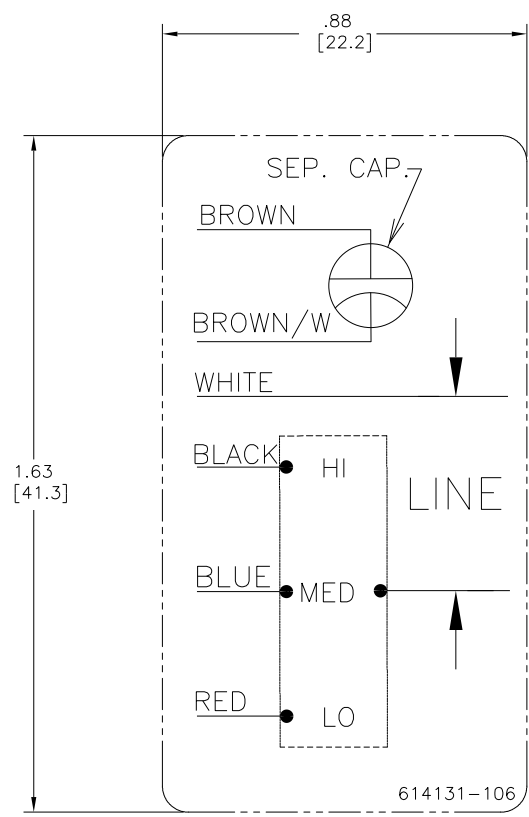
THIRD ANGLE PROJECTION

EDS DATE 11-11-2011
FORMAT REV G

CONFIDENTIAL: THIS DRAWING AND ITS INFORMATION ARE THE EXCLUSIVE AND CONFIDENTIAL PROPERTY OF REGAL-BELOIT CORPORATION AND ARE NOT TO BE DISCLOSED, DUPLICATED, DISTRIBUTED OR OTHERWISE USED WITHOUT THE WRITTEN CONSENT OF REGAL-BELOIT CORPORATION. -ALL RIGHTS RESERVED.

DESCRIPTION	MODEL-RFHP-48FR OUTLINE
SIZE	C
DWG NO	11819-031
SCALE	NONE
SHEET	1

SCALE	NONE
SHEET	1



- NOTES:
1. FOR USE WITH 614129 OR 2513020-001 NAMEPLATE BLANKS
 2. _____ INDICATES DIMENSION LIMITS

DRAWING REVISION D	REVISION BY J. RUPERT	DATE 09-08-2022	TOLERANCES UNLESS OTHERWISE SPECIFIED DEC. INCH mm ANGLE .X ±0.1 [±2.5] ±0.5° .XX ±0.02 [±0.51] .XXX ±0.005 [±0.127] XXXX ±0.0005 [±0.0127]	DRAWN BY: PZ	Regal Beloit America, Inc.
ECO NMR-0216370	APPROVED BY J. RUPERT	DATE 09-08-2022	REMOVE BURRS & BREAK SHARP EDGES .003/.015 [0.076/.381] X 45° CORNER FILLETS R.02 [51] MACHINED SURFACES .125/ mm 32/ INCH mm 32/ mm SHOWN IN [BRACKETS]	DATE: 04-12-2011	
ECO DESCRIPTION REVISED FOR UP ISSUE			APPROVED BY: Tiger Wong	DATE: 04-12-2011	DESCRIPTION CONN-DIAGRAM NAMEPLATE
<small> COPYRIGHT REGAL BELOIT AMERICA, INC. ALL RIGHTS RESERVED. PROPRIETARY AND CONFIDENTIAL INFORMATION - THIS DOCUMENT IS THE PROPERTY OF REGAL BELOIT AMERICA, INC. (OWNER) AND CONTAINS OWNER'S PROPRIETARY INFORMATION. ANY REPRODUCTION OR OTHER FIRM RECEIVING IT IS DENIED. BY RECEIVING IT, TO AGREE THAT IT, AND/OR ANY PART OF IT, SHALL NOT BE DISCLOSED TO ANY PERSON, CORPORATION OR OTHER ENTITY, DUPLICATED, AND/OR USED, EXCEPT AS EXPRESSLY APPROVED IN WRITING IN ADVANCE BY OWNER. THIS DOCUMENT SHALL BE RETURNED TO OWNER UPON REQUEST. IT MAY BE SUBJECT TO CERTAIN RESTRICTIONS UNDER APPLICABLE EXPORT CONTROL LAWS AND REGULATIONS. </small>			REFERENCE	MATERIAL	PROCESS/FINISH
			THIRD ANGLE PROJECTION	SIZE DWG NO C 614131-106	SHEET 1

C-32412

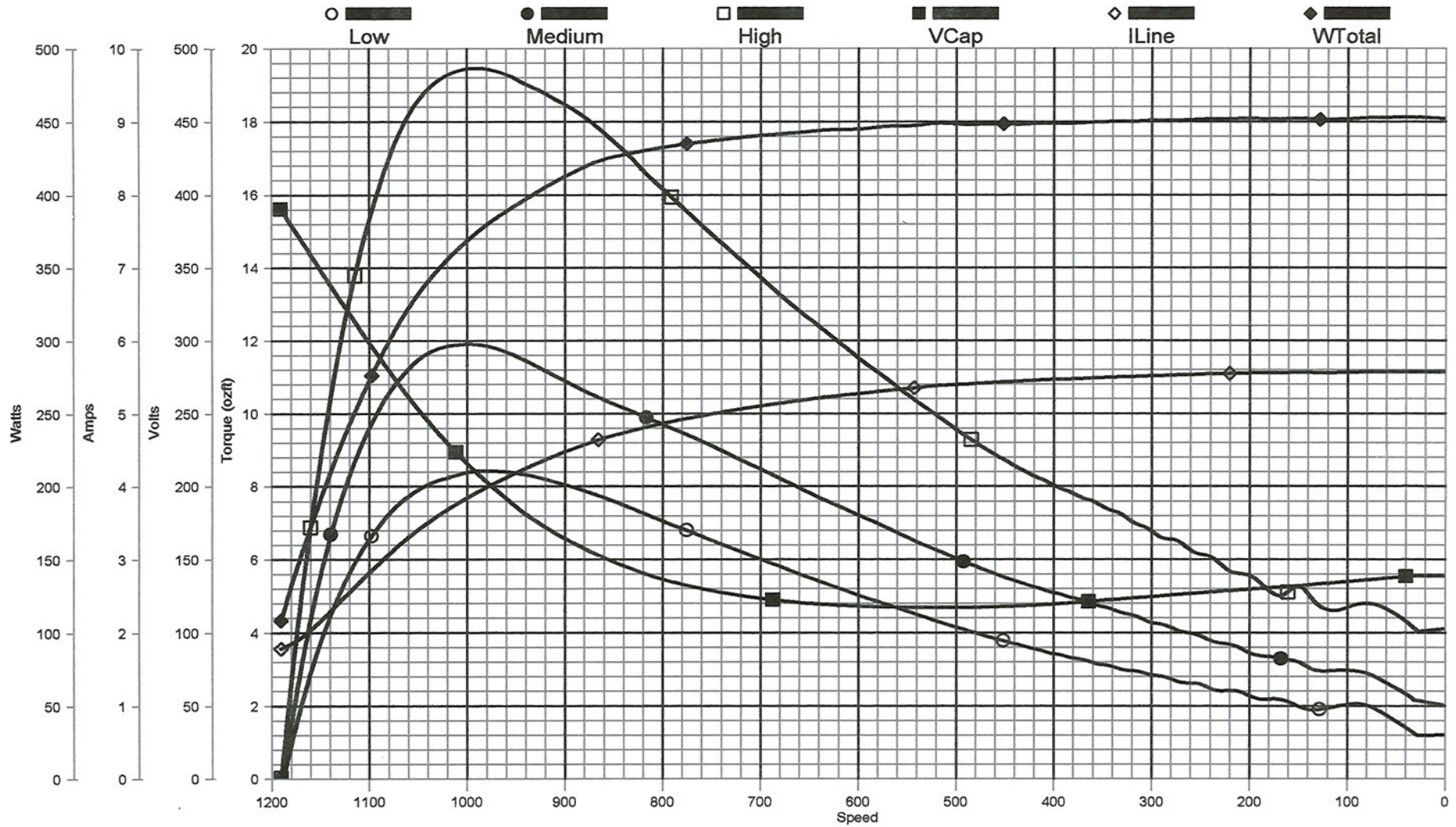
Uncontrolled Copy

AO Smith

C-32412

MultiSpeed Project: 0442862

Friday, October 01, 2004 05:00 PM



TRACKING #: 10030336
 SBU: Heating & Air Cond
 ENGINEER: STEVE DELLINGER
 TECHNICIAN: TODD
 TORQUE CELL: 100 lb-in
 NP RPM: 1075
 # SPEEDS: 3
 MOTOR #: 1
 COMMENT 2:

CUSTOMER: GRAINGER
 MODEL: 0442862A B
 FRAME: 48
 PHASES: 1
 VOLTS: 115.0
 HERTZ: 60
 RUN CAP: 5.00
 COMMENT 1:
 COMMENT 3:

DESCRIPTION: SYNC-0
 TYPE: PSC
 BENCH: 1
 HP: 0.17
 ROTATION: CCW
 BDT: 8.43
 LRA: 2.50
 LRT: 1.20
 COMMENT 4:



Specification & Rating Report

Item Number: **DSB1016**

Specification Number: **1**

Model Number: **F48V84A01**

Carton Label Model
Number:

Customer Model
Number:

Sample Number:

Customer Specification
Number:

Catalog Number: **DSB1016**

Agency Type:

CE: **N**

CSA: **Y**

UL: **Y**

CE Number:

CSA Number: **NO**

UL Number: **NO**

UL Explosion Proof Rating:

Cubic Feet Per Minute:

F2 Assembly:

UPC Model Number: **786674018618**

UPC Catalog Number: **786674018618**

Nameplate Drive
Bearing Type:

Nameplate Opposite
Drive Bearing Type:

Label Drive Bearing **BALL**
Type:

Label Opposite Drive **BALL**
Bearing Type:

Capacitor:

Capacitor Rating MFD: **5**

Capacitor Included: **Y**

Capacitor Rating VAC: **370**

Control Code:

DC Design Number:

Form Factor:

Design Status:

Features:

Connection Diagram:

Lubrication Label
Diagram:

Outline Diagram: **11819-031-S01**

Installation Diagram:

Warning Label
Diagram:

Outline Graphic: **121A**

Ambient Temperature: **40**

Insulation Class: **B**



Specification & Rating Report

<p>Protector: AUTOMATIC</p> <p>Nameplate Overload:</p> <p>IP Code:</p> <p>Nameplate Enclosure: SEMI ENCL</p> <p>Frame Length: 3.25</p> <p>Frame Diameter:</p> <p>Frame Size: 48Y</p> <p>Frame Material: ROLLED STEEL</p> <p>Operator Instruction Manual:</p> <p>Nameplate Mounting:</p> <p>Base Height:</p> <p>Ring Diameter:</p> <p>Nameplate:</p> <p>Nameplate Location L Format:</p> <p>Brake:</p> <p>Layer Quantity:</p> <p>Phase: 1</p> <p>DC Pole:</p> <p>Poles: 6</p> <p>Speeds: 3</p> <p>Duty: CONT AO</p> <p>Shaft Diameter: 1/2</p> <p>Shaft Extension: 7.5X.5X7.5</p> <p>Shaft Material:</p> <p>Shaft Type: FLAT</p> <p>Motor Type: UF</p> <p>Motor Use:</p> <p>Nameplate 1:</p> <p>Nameplate 2:</p> <p>Nameplate Text 1:</p>	<p>Thermal Protection:</p> <p>Label Overload:</p> <p>Label Enclosure: SEMI ENCL</p> <p>Frame Length UOM:</p> <p>Frame Diameter UOM:</p> <p>End Frame Material:</p> <p>Label Mounting: RESILIENT BASE</p> <p>Base Height UOM:</p> <p>RingDiameterUOM:</p> <p>Carton Label:</p> <p>Tachometer:</p> <p>Pallet Quantity:</p> <p>CurrentType:</p> <p>Shaft Diameter UOM: IN</p> <p>Shaft Extension UOM: IN</p> <p>Rotation: CCWLE</p>
--	---



Specification & Rating Report

Nameplate Text 2:

Nameplate Text 3:

Nameplate Text 4:

Label Text 1: **PERMANENT
SPLIT
CAPACITOR**

Label Text 2:

Label Text 3:

Label Text 4:

Brand Line:

Vendor Line:

Motor Weight:

Motor Weight UOM:

Shipping Weight:

Shipping Weight UOM:

Armature Field
Winding:

Core Length:

Core Length UOM:

Winding Code:

Winding Specification:

Nameplate Only
Instructions:

Nameplate & Label
Instructions:

Label Only
Instructions:



Specification & Rating Report

Rating Number: **1**

Horsepower: **1/6**

Volts: **115**

Hertz: **60**

Field Current:

Revolutions Per **1075/3 SPD**
Minute:

Service Factor: **1.0**

Service Factor Amps:

NEMA Code:

NEMA Design:

Customer Nameplate Number:

Kilowatts:

Amps: **3.1**

Maximum Amps:

Armature Current:

Power Factor:

Service Factor Volts:

NEMA Nominal Efficiency:

NEMA Guaranteed Efficiency: